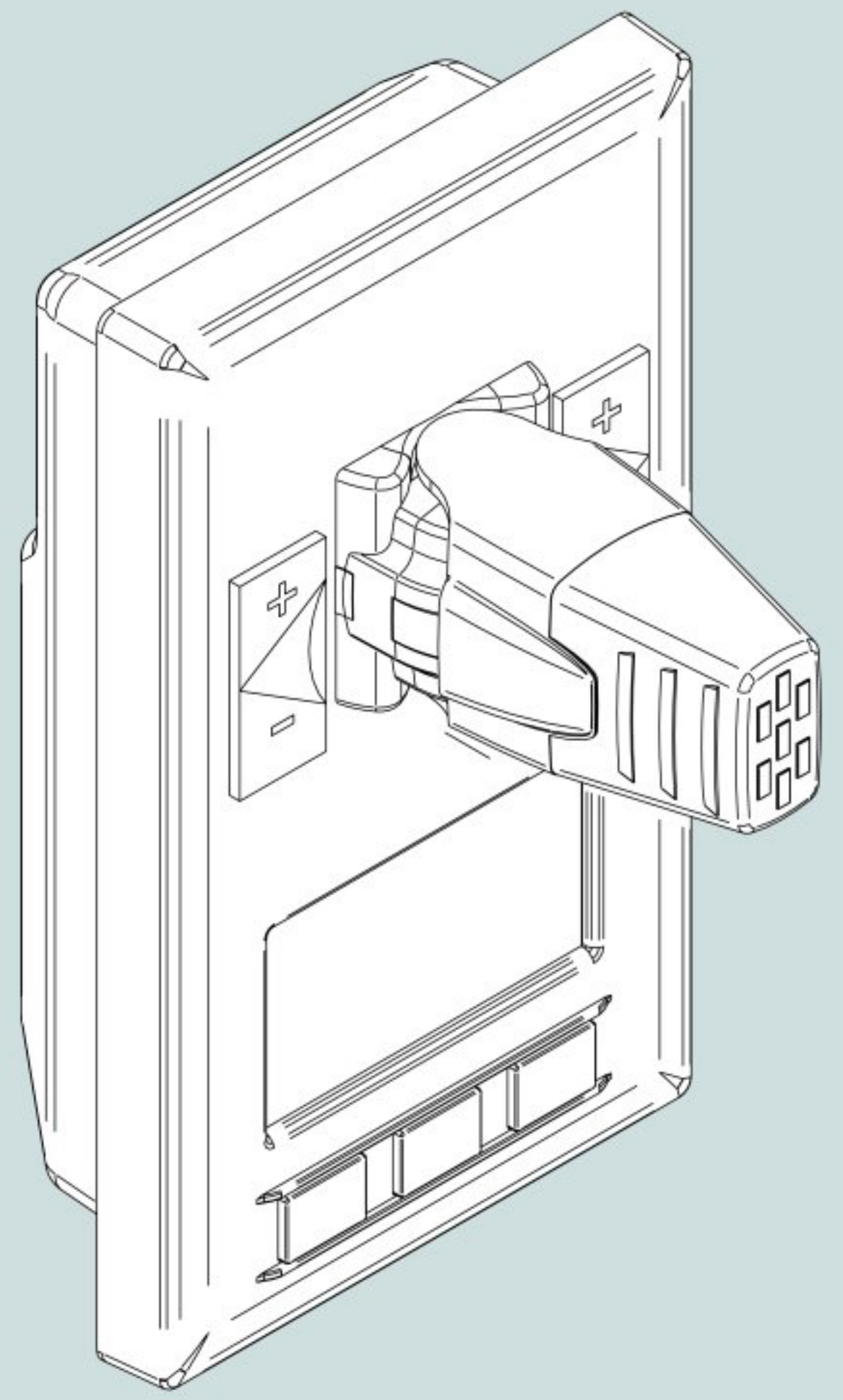
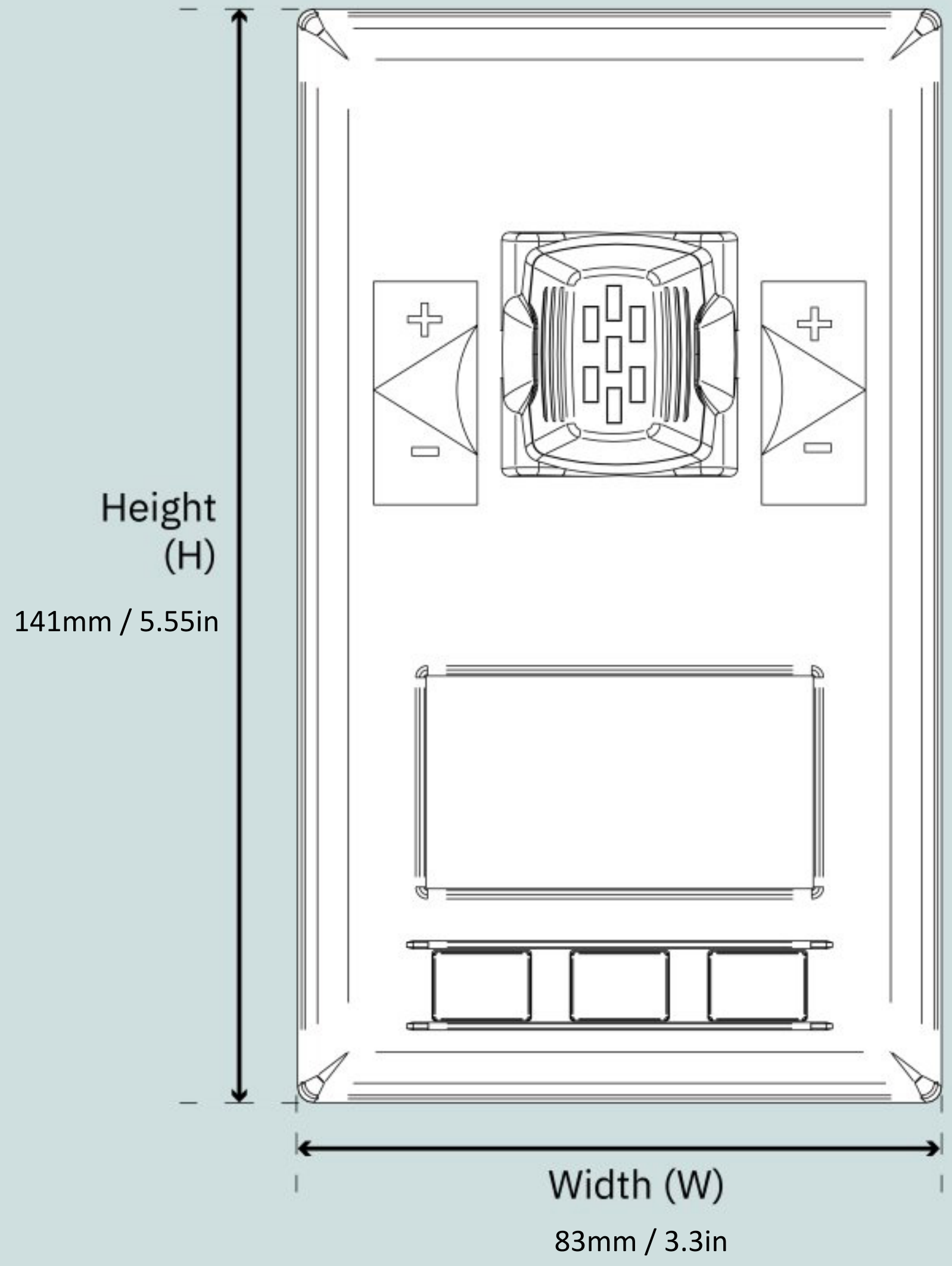
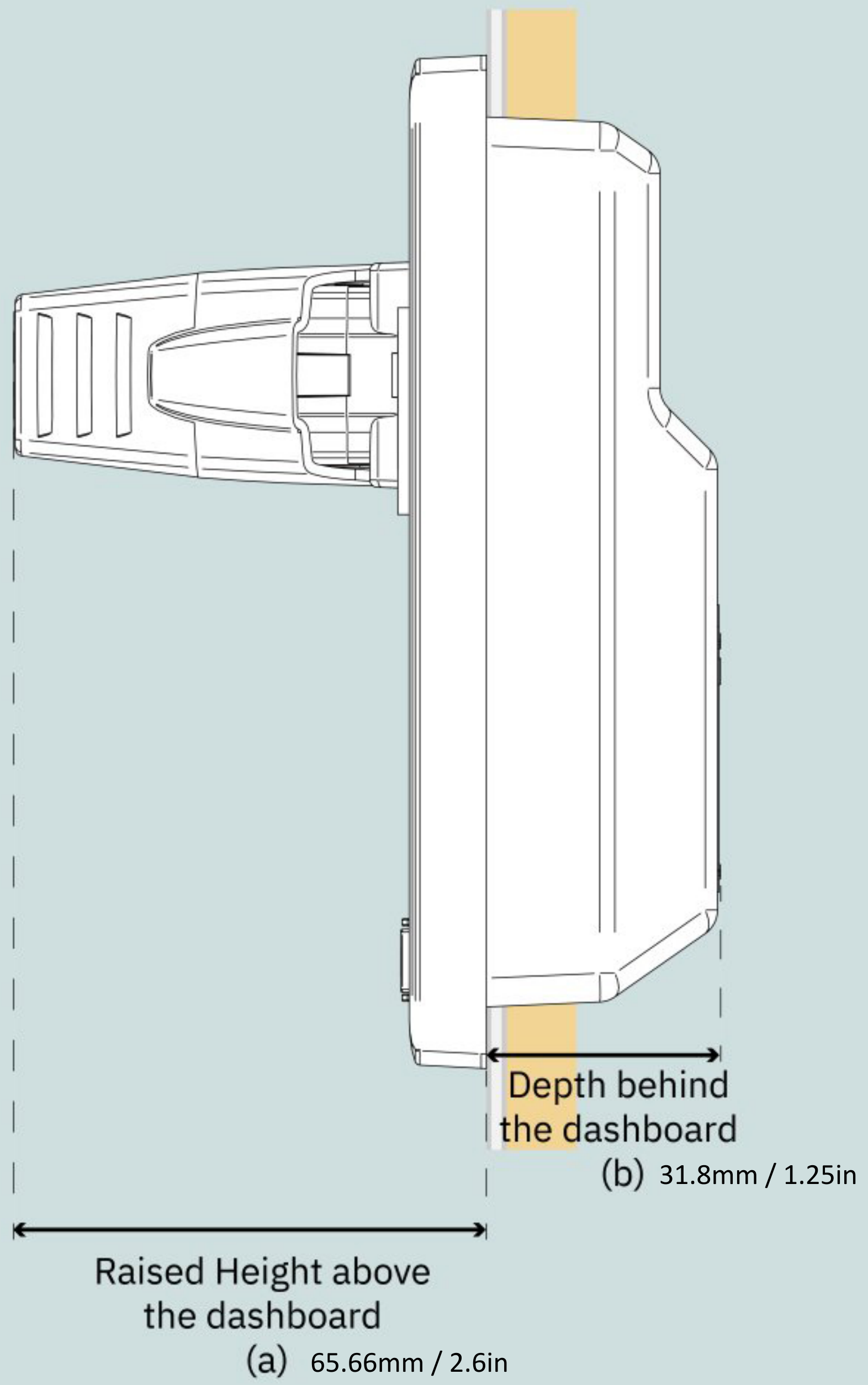


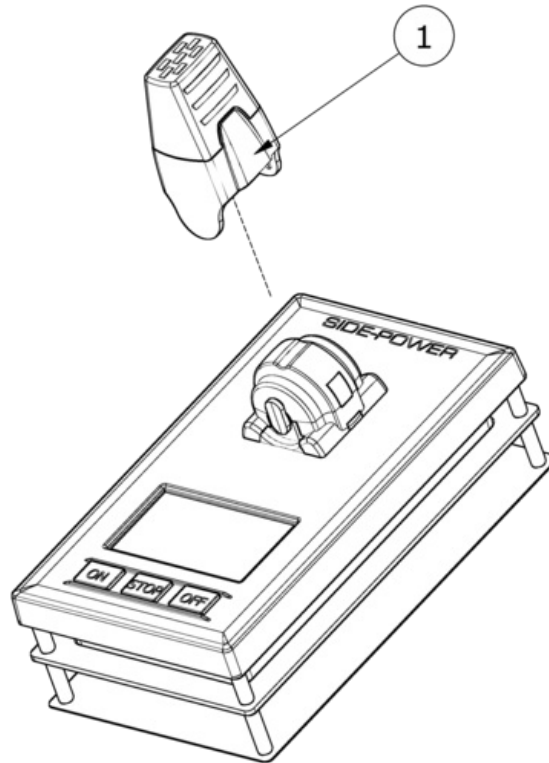
Single joystick: PJC211



PJC211

Joystick S-link control panel with Hold-function & LCD display, 12/24V

Spare parts (valid from 2017-03-01)



#	Name	Item Code	Description
1	PJC Joystick	6 9012	Joystick

The installer alone has responsibility for the installation of the spare parts. Side-Power only warranty the spare parts supplied only.

The information given in the document was correct at the time it was published. However, Sleipner Motor AS can not accept liability for any inaccuracies or omissions it may contain. Continuous product improvement may change the product specifications without notice. Therefore, Sleipner Motor AS can not accept liability for any possible differences between product and document.