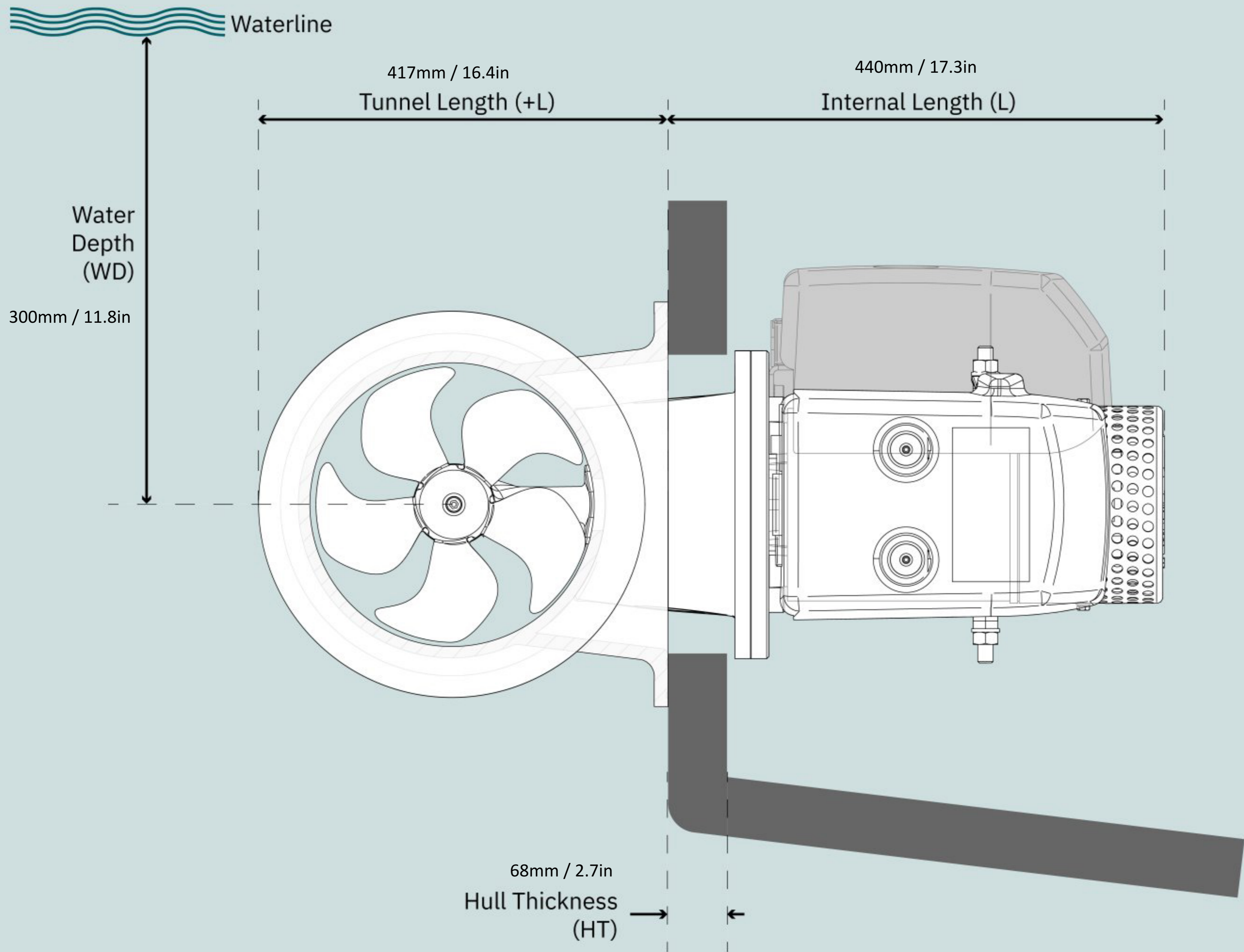


Sleipner thrusters can be installed at an angle off the vertical centre.  
Tailored to fit any space available in your vessel.



Power	Value
Operating Power	Electric
Power Requirement	24V DC
Power Output	11.4kW / 15.5hp
Thrust at 24V	300kg / 661lbs
Thrust at 21V	250kg / 551lbs
Operational Running Limit (min)	2-3 duty cycle at 20°C
Nominal Current Draw	610-670A
Min. Battery CCA (DIN)	700
Min. Battery CCA (SAE)	1330
Min. Battery CCA (EN)	1170
Recommended fuse	ANL 500

Operational Intention	Value
Ideal Vessel Class	Motor boat, Sail boat
Ideal Vessel Size	18-25m / 60-84ft
Bow Capability	Yes
Stern Capability	Yes
Retractable Capability	No
External Mounting Capability	No
Tunnel Capability	Yes

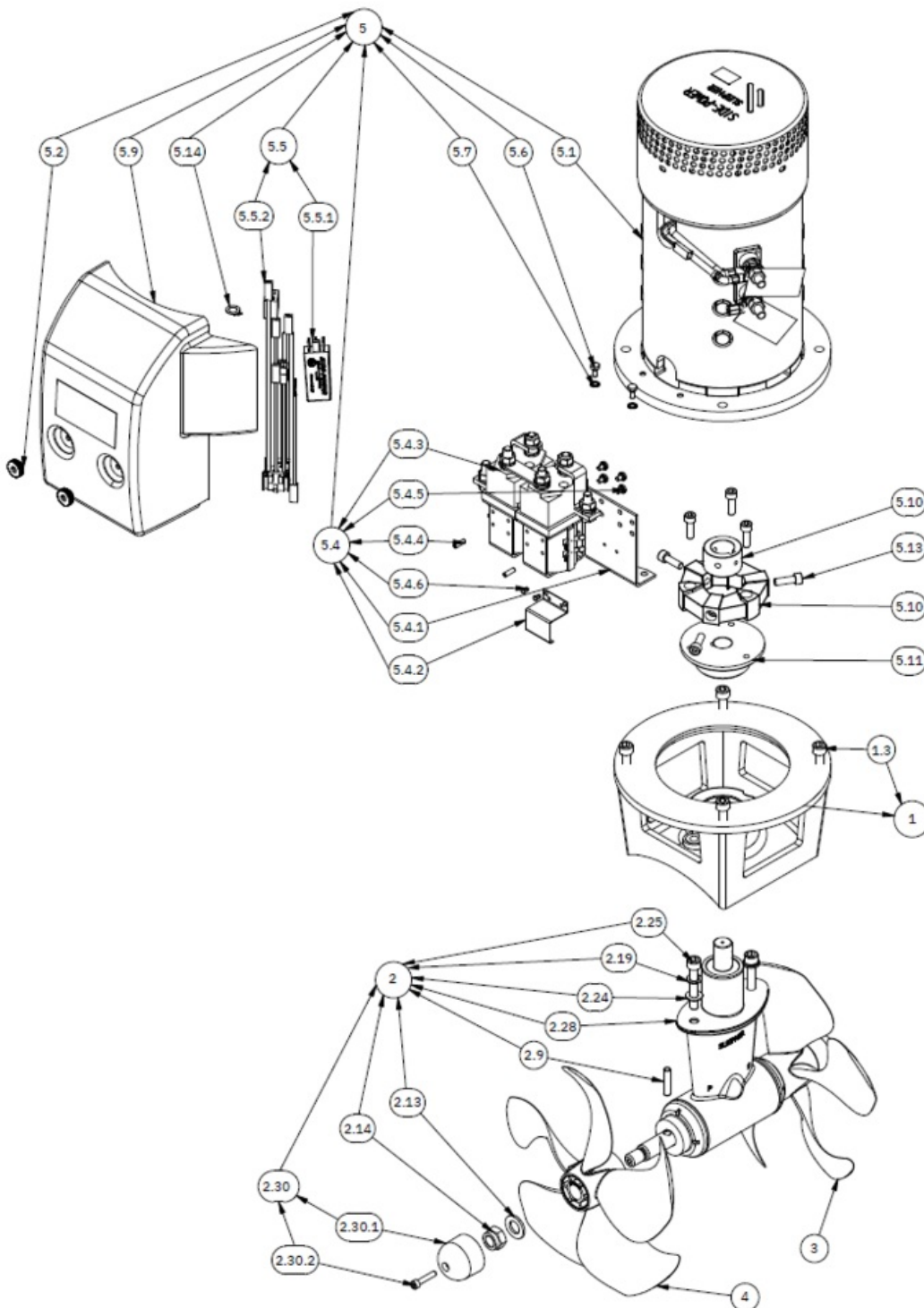
# SE250/300TC

## SE250 Tunnel bow/stern thruster, 24V

Spare parts (valid from 2021-05-26)



# SLEIPNER



#	Name	Item Code	Description
1	Complete motor bracket	20 0502	Complete motor bracket SE300
1.3	DIN 912 - M10 x 30	20 1360	Bolt M10 x 30 Unbraco
2	Girhus SE300 mont. u/propell	20 0602-U	Complete gearleg SE300 w/out propeller
2.13	DIN 125 - A 17	20 1181	Flat washer M16 A4
2.14	DIN 985 - M16x2	10 1260	DIN985 M16 CZ132
2.19	DIN 128 - A10	10 1363	Spring lock washer M10 A2
2.24	DIN 125 - A 10,5	10 1362	Flat washer M10 A2
2.25	DIN 912 - M10 x 60	20 1080	Bolt M10 x 60 Unbraco
2.28	Gasket for housing SH350	20 1312	Gasket for gearleg installation in tunnel, SP220
2.30	Alu anode set	20 1180 A	Anode kit, aluminium, SE120/130/150/170/250
2.30.2	DIN 912 - M6 x 30	10 9998	Alu anode for SE130/170/SP240/285
2.9	Drivpinne Ø8 SE120-150	9 1241	Drive pin SE120-170
3	Q-Prop Ø300 RH	SM-130945	Thruster propeller SE300,Q/RH prop
4	Q-Prop Ø300 LH	SM-130943	Thruster propeller SE300,Q/LH prop
5	Complete electric motor SE250TC	15 0101 24	Electric motor for thruster SE250TC,complete
5.10	Gummi fleksikobling SE210	15 1024	Elektromotor SE210/SP240
5.11	Flens boss N2, Ø22, L-30mm	20 1451	Flens boss N2, Ø22, L-30mm
5.12	Boss fleksibelkobling SE210	20 1455	Cylindrical boss N1,Ø28,L-30mm
5.13	ISO 4762 - M8 x 25	10833	Skrue U8 x 25 IP
5.14	Kontakt	RK0010	Spade terminal connector B 1457 H 10
5.2	Plastic Nut	6 8810	Nut for solenoid cover
5.4	Solenoid replacement for SE150/170/210/250/300 24V	1013702	Solenoid replacement
5.4.1	Relebrakett SP95	4 2036	Solenoid bracket
5.4.2	Relay Clip	4 2043	Fastening clip
5.4.3	Rele 24V	10 1370	Solenoid 24V SE210/SP200/220/285
5.4.4	DIN 913 - M5 x 16	6 1286	Gjengestift
5.4.5	DIN7985 M5x8 + DIN6797 M5	7 1501	Philips pan head screw M5 x 8 A2 with washer
5.4.6	DIN 7337 - A3,2 x 8	23208	Popnagel AS3,2X8
5.5	SE100 - 130 12V and SE150 - 170 - 210 - 250/ 24V	SM159147	Control SE100..130/12v-SE150..250
5.5.1	Delay relay	6 1232 I	IPC relay 12/24V
5.5.2	Wireing loom	15 1273 B	Internal wiring harness
5.6	DIN 933 - M6 x 12	10 1225	Bolt M6 x 12 6kt
5.7	DIN 6798 - A 6,4	6 1268	Serrated lock washer M6 A2
5.9	Relay cover	20 2027	Solenoid cover for SE150/170/210TC/SP240/285TC

The installer alone has responsibility for the installation of the spare parts. Side-Power only warranty the spare parts supplied only.

The information given in the document was correct at the time it was published. However, Sleipner Motor AS can not accept liability for any inaccuracies or omissions it may contain. Continuous product improvement may change the product specifications without notice. Therefore, Sleipner Motor AS can not accept liability for any possible differences between product and document.