



Product Specifications SE50

Declaration of Conformity

We, Sleipner Motor AS hereby Declare that following Side-Power DC thruster products complies with the EC Directives and Standards:

Directive 2013/53/EU- Recreational Craft Directive
2006/42/EC - Machinery Safety
Directive 2014/30/EU - Electromagnetic Compatibility

SE series	Side-Power Electric Tunnel Thruster	30-210kg thrust ON/OFF
SEP series	Side-Power Electric Tunnel Thruster	30-240kg thrust Proportional
SE-IP series	Side-Power Electric Tunnel Thruster	30-170kg thrust ON/OFF-Ignition Protection
SEP-IP series	Side-Power Electric Tunnel Thruster	30-170kg thrust Proport. Ignition Protection

FREDRIKSTAD, 21th of January 2017

Arne K Skauen
 Managing Director, Sleipner Motor AS

Technical and safety specifications

- Motor:** Custom made reversible DC-motor.
 - Gearhouse:** Seawater resistant bronze. Ball bearing at propeller shaft and combination of ball bearing and slide bearing at driveshaft. Pre filled and sealed for life.
 - Motor bracket:** Glass fibre reinforced composite material. Brass thread inserts.
 - Tunnel:** Cross spun with rowing G.R.P tunnel
 Steel and aluminium tunnels are available on request.
 - Propeller:** 5- blade skewback design "Q-prop" propeller, reinforced composite.
 - Batteries:** Minimum recommended battery capacity (cold crank capacity by DIN/SAE standard)
 See table.
 - Max. use:** S2 = 3 min. or approx. 7-10% within a limited time frame.
 - Safety:** Electronic time-lapse device protects against sudden change of drive direction. Electric thermal cut-off switch in electrical motor protects against over heating (auto reset when electrical motor cools down). Flexible coupling between electrical motor and driveshaft protects electrical motor and gear system if propeller gets jammed.
- If original Side-Power panel is used, the panel shuts off automatically 6-9 minutes after last use.
- Integrated microprocessor monitors solenoids, reducing wear and risk of solenoid lock-in. Auto-stop of thruster in case of accidental solenoid lock-in or if run signal is continuous for more than 3 minutes.



NEW



Leading boat builders all over the world choose Side-Power for performance, reliability, ease of installation and unrivalled safety features. This commitment to quality and product development has made the Side-Power range of thrusters the benchmark in the industry.





Specifications and performance data

- Actual performances will vary for each installation depending on many factors.
- Specifications shown here are based on a thruster installed at a depth equal to one tunnel diameter and with DC electric power at thruster as shown.

SE / IP Serien*

SE 50/140 S

Thrust at 12V/24V* (kg • lbs)	62 • 136
Thrust at 10.5V/21V* (kg • lbs)	50 • 110
Typical boat size (ft • m)	27' - 37' • 8 - 11
Tunnel I.D (mm • in)	140 • 5.5"
Propulsion system	Single
Power at 10.5V/21V* (kw • Hp)	2.4 • 3.2
For DC system (V)	12/24
Weight (kg • lbs)	15 • 33
Rec. CCA (CCA** 12/24V)	350/175

Art.nr. 12V	SE50/140S-12V(-IP)
Art.nr. 24V	SE50/140S-24V(-IP)
Art.nr. 12V PRO*	SEP50/140S-12V(-IP)
Art.nr. 24V PRO*	SEP50/140S-24V(-IP)

NEW



Battery and cable recommendations

SE, SEP, IP - series

- All cable lengths* are the total of both - and + cables.
- Battery size is stated as minimum cold crank capacity, not Ah.
- Use slow fuse rated to hold stated Amp-Draw for min. 5 minutes.

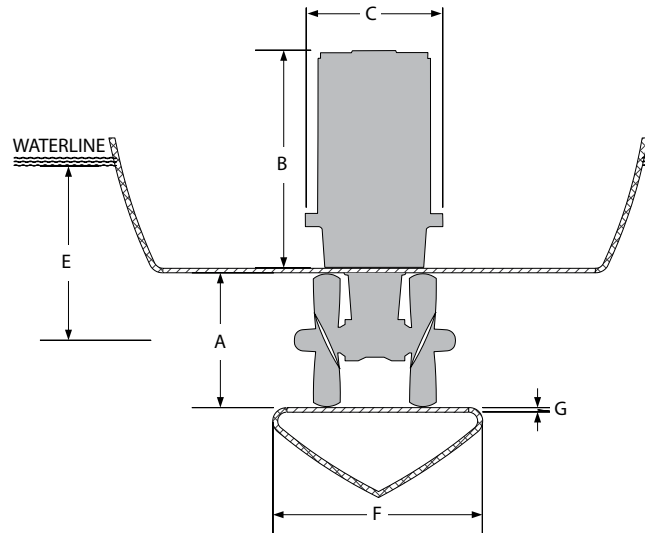
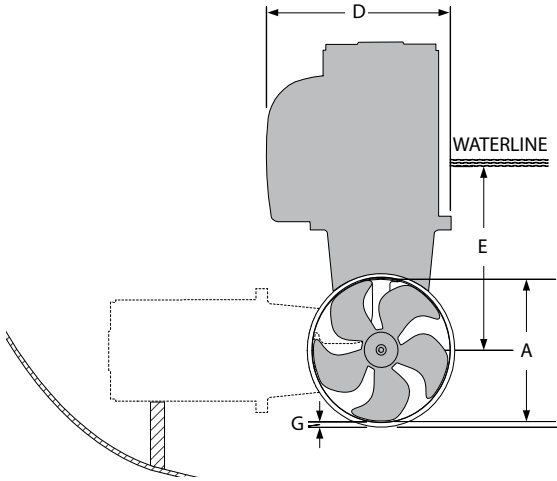
Minimum and recommended cable dimensions can be identical due to safety margins and cable heat considerations for short cable lengths.

* Minimum or recommended cable cross section in mm²

Model	Voltage	Nominal current draw	Min. battery CCA	Rec. fuse		<7m total + & -		7-14m total + & -		15-21m total + & -		22-28m total + & -		28-35m total + & -		36-45m total + & -	
						Min.	Rec.	Min.	Rec.	Min.	Rec.	Min.	Rec.	Min.	Rec.	Min.	Rec.
SE50/140S	12 V	370 A	DIN: 350	ANL	mm2	50	50	70	95	120	2x 70	2x70	2x95	2x 95	2x120	2x120	280*
			SAE:665	250	AWG	1	1/0	2/0	3/0	4/0	2x 2/0	2x2/0	2x 3/0	2x 3/0	2x 4/0	2x 4/0	
SE50/140S	24 V	170 A	DIN: 175	ANL	mm2	25	35	25	35	25	35	35	50	50	60	60	70
			SAE: 332	150	AWG	1	1	1	1	1	1	1	1	1/0	1/0	2/0	2/0



Measurements SE Series

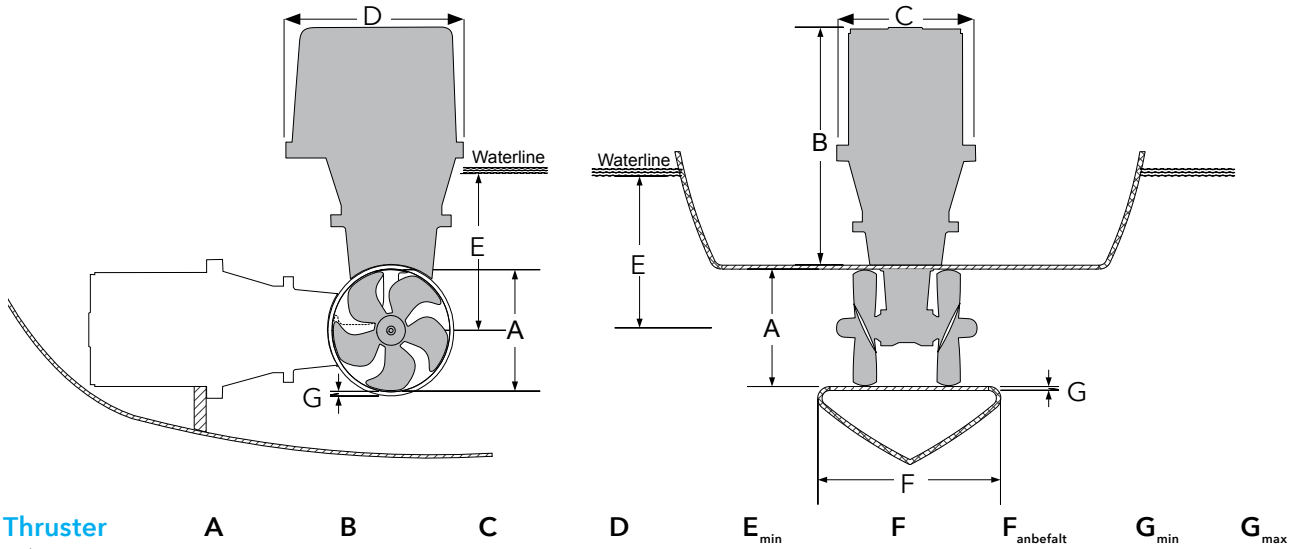


Thruster (mm)

	A	B	C	D	E _{min}	F	F _{anbefalt}	G _{min}	G _{max}
SE50/140S	140	258	208	200	140	100	210	5	6



Measurements SE IP Series



IP Thruster
(mm)

	A	B	C	D	E _{min}	F	F _{anbefalt}	G _{min}	G _{max}
SE50/140S IP	140	323	232	272	140	92	184	4	6



Maintenance

- DC motor: See User and Installation manuals for each model for more information.

Material specifications

- DC Motor: There are no hazardous materials in this product, ref material declaration.

Health and Safety

- Gearleg and DC motor: The Gearleg is shipped with gear oil - precautionary measures must be taken . The gearleg and DC Motor is very powerful and precautionary measures must be taken considering rotating propeller and electrical installation. Gear oil is flameable and and gasses from a fire is generally toxic.
- See Installation and User manual for more information.

*This document may contain typographical errors and changes,
to which Sleipner Motor assumes no responsibility.*



Sleipner Motor AS
P.O. Box 519,
N-1612 Fredrikstad, Norway
www.side-power.com



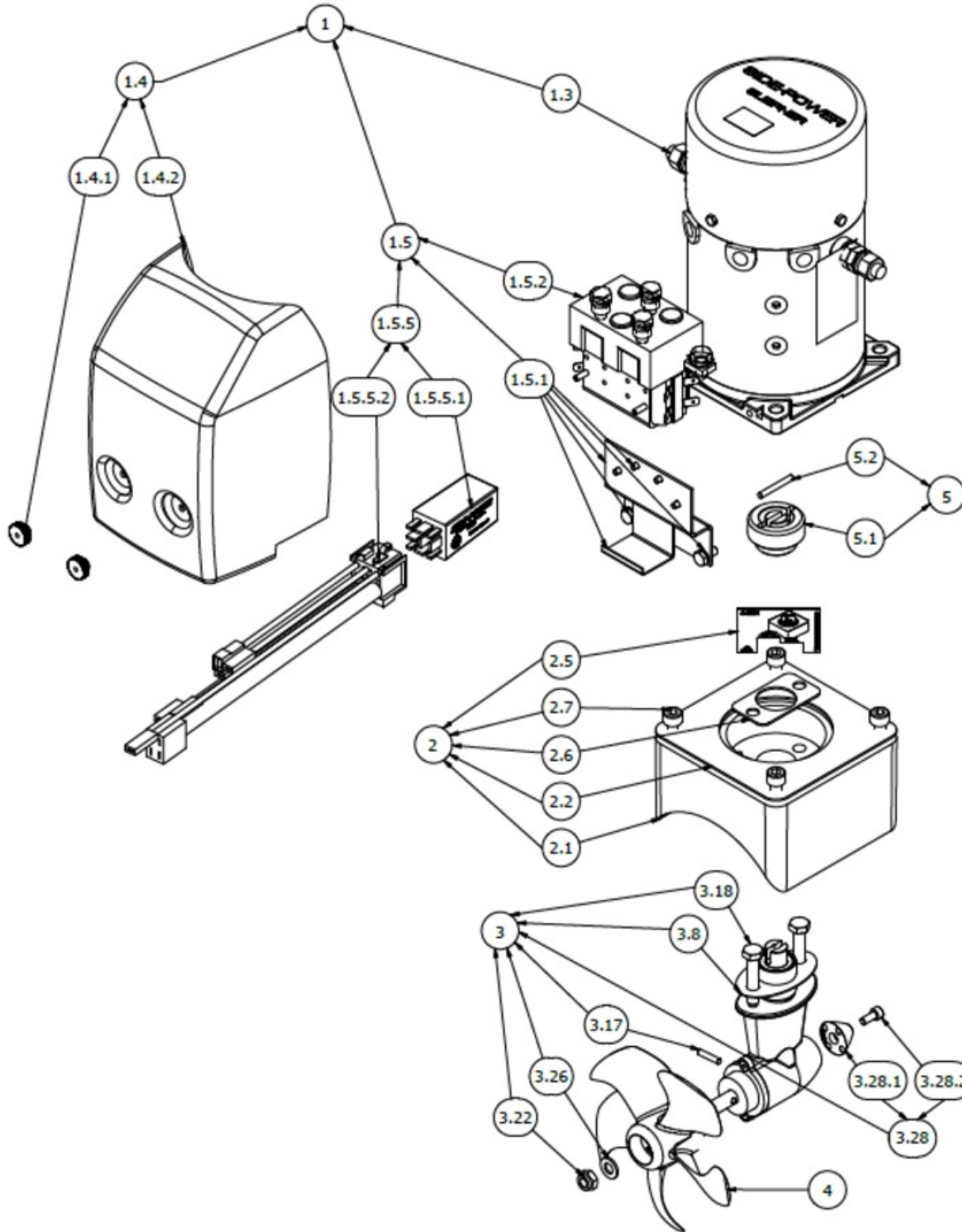
SE50/140S-12V

SE50 Tunnel bow thruster, 12V

Spare parts (valid from 2021-09-21)



SLEIPNER



#	Name	Item Code	Description
1	Complete electric motor 12V for SE50	5 0101 12	Complete electric motor for thruster SE50 12V
1.3	Electric motor		4 2010 12R - Electric motor
1.4	Solenoid cover kit for SE60	SM168211	Solenoid cover kit SE60
1.4.1	Plastic nut for solenoid cover		6 8807 - Plastic nut for solenoid cover
1.4.2	Solenoid cover SE50/60S		4 2026 A - Solenoid cover SE50/60S
1.5	Complete solenoid kit	4 0131 12	Solenoid replacement kit
1.5.1	Solenoid bracket kit	4 0135	Solenoid bracket kit
1.5.2	Solenoid replacement	4 1472 12	Solenoid replacement
1.5.5	Controller SE40-80/12-24V (SE80-130/24V)	SM159144	Controller SE40-80/12-24V SE100-130/24V
1.5.5.1	Delay relay	6 1232 I	IPC relay 12/24V
1.5.5.2	Wireing	6 1226 B	Internal wiring harness
2	Complete motor bracket for SE50	3 0502	Complete motor bracket SE50
2.1	Motor bracket SE50 - machined		141283 - Motor bracket SE50 - machined
2.2	Gasket for motor bracket		6 1061 - Gasket for motor bracket
2.5	4 8561 - Measurement template		4 8561 - Measurement template
2.6	Support plate for motor bracket		4 1242 - Support plate for motor bracket
2.7	Bolt DIN 912 - M8 x 22		110028 - Bolt DIN 912 - M8 x 22
3	Gearleg SE50 mounted w/out propell	5 0600-U	Complete gearleg w/out propeller SE50
3.17	Drive pin ISO 8734 - 4 x 20 - A		141258 - Drive pin ISO 8734 - 4 x 20 - A
3.18	Bolt DIN 931-1 - M8 x 40		141259 - Bolt DIN 931-1 - M8 x 40
3.22	Lock nut DIN 985 - M8x1,25		3 1250 - Lock nut DIN 985 - M8x1,25
3.26	208125 - Washer DIN 125 - A 8,4		208125 - Washer DIN 125 - A 8,4
3.28	Anode kit	3 1180 A	Anode kit
3.28.1	Anode	3 9998	Anode, aluminium, SE30/40
3.28.2	Bolt DIN 912 - M5 x 12 unbraco		3 1172 - Bolt DIN 912 - M5 x 12 unbraco
3.8	Gasket for gearleg installation in tunnel,SE50		141261 - Gasket for gearleg installation in tunnel,SE50
4	Propell Ø137mm	5 1260	Thruster propeller Ø137mm SE50
5	Coupling assembly	SM-137073	Flexible coupling SE50/60S2
5.1	Coupling SE50/60	140992	Flexible coupling SE50/60S2
5.2	Drive pin ISO 8734 - 4 x 32 - A		141285 - Drive pin ISO 8734 - 4 x 32 - A
*6	Brushes for motor (kit)		
*7	Brushes spring for motor (kit)		
*8	Temp switch (kit)		

(*6) Please provide thruster serial when ordering brushes & brushes spring.

(*7) Please provide thruster serial when ordering brushes & brushes spring.

(*8) Please provide thruster serial when ordering temp switch.

The installer alone has responsibility for the installation of the spare parts. Side-Power only warranty the spare parts supplied only.

The information given in the document was correct at the time it was published. However, Sleipner Motor AS can not accept liability for any inaccuracies or omissions it may contain. Continuous product improvement may change the product specifications without notice. Therefore, Sleipner Motor AS can not accept liability for any possible differences between product and document.