



## Product Specifications Sheet



## Product Specifications DC Thruster Series

### Declaration of Conformity

We, Sleipner Motor AS hereby Declare that following Side-Power DC thruster products complies with the EC Directives and Standards:

**94/25 Recreational Craft Directive**  
**2006/42 Machinery Safety**  
**89/336 Electromagnetic Compatibility**

SE series	Side-Power Electric Tunnel Thruster	30-210kg thrust ON/OFF
SEP series	Side-Power Electric Tunnel Thruster	30-240kg thrust Proportional
SE-IP series	Side-Power Electric Tunnel Thruster	30-170kg thrust ON/OFF-Ignition Protection
SEP-IP series	Side-Power Electric Tunnel Thruster	30-170kg thrust Proport. Ignition Protection
SR series	Side-Power Retract thruster	80/100kg thrust On/Off
SRP series	Side-Power Retract thruster	80/100kg thrust Proportional
SRL series	Side-Power Retract thruster	80/100kg thrust On/Off Low Profile
SRLP series	Side-Power Retract thruster	80/100kg thrust Low Profile Proportional
SRV series	Side-Power Retract thruster	80-285kg thrust Vertical On/Off
SRVP series	Side-Power Retract thruster	80-210kg thrust Vertical Proportional
SRVL series	Side-Power Retract thruster	80/100kg thrust Vertical On/Off Low Profile
SP Series	Side-Power Electric Tunnel Thruster	240/285kg thrust On/Off
EB Series	Side-Power Electric Tunnel Thruster	20-90kg thrust On/Off Belt
EX Series	Side-Power External Thruster	25-180kg thrust On/Off
SX Series	Side-Power External Thruster	80/100kg thrust On/Off External
SXP Series	Side-Power External Thruster	80/100kg thrust Proportional External

Leading boat builders all over the world choose Side-Power for performance, reliability, ease of installation and unrivalled safety features.

This commitment to quality and product development has made the Side-Power range of thrusters the benchmark in the industry.

FREDRIKSTAD, 26th of January 2016

*Arne Skauen*

Arne K Skauen  
 Managing Director, Sleipner Motor AS



ISO 9001 CERTIFIED COMPANY



Confidence by Control

SIDE-POWER.com

Version 1\_0\_3\_2016



## Product Specifications Sheet



## Specifications and performance data

- Actual performances will vary for each installation depending on many factors.
- Specifications shown here are based on a thruster installed at a depth equal to one tunnel diameter and with DC electric power at thruster as shown.

SE Series thrusters*	SE 30/125 S	SE 40/125 S	SE 60/185 S	SE 80/185 T	SE 100/185 T	SE 120/215 T
Thrust at 10.5V/21V* (kg • lbs)	30 • 66	40 • 88	60 • 132	80 • 176	100 • 220	120 • 264
Thrust at 12V/24V* (kg • lbs)	40 • 88	48 • 105	73 • 161	96 • 212	116 • 256	139 • 306
Typical boat size (ft • m)	20' - 28' • 6 - 8.5	26' - 34' • 8 - 10.5	29' - 39' • 9 - 12	35' - 48' • 10 - 15	39' - 55' • 12 - 17	42' - 60' • 13 - 18
Tunnel I.D. (mm • in)	125 • 4.92"	125 • 4.92"	185 • 7.3"	185 • 7.3"	185 • 7.3"	215 • 8.46"
Propulsion system	Single	Single	Single	Twin	Twin	Twin
Power at 10.5V/21V* (kw • Hp)	1.5 • 2	2.2 • 3	3.1 • 4	4.4 • 6	6.3 • 8.4	6.4 • 8.55
For DC system (V)	12	12	12/24	12/24	12/24	24
Weight (kg • lbs)	9.5 • 21	10 • 22	16 • 35	20 • 44	31 • 68	34 • 74
Rec. CCA (DIN** 12/24V)	200	300	350 • 175	550/300	750/400	- / 400

Item Code 12V	SE30/125S(-IP)	SE40/125S(-IP)	SE60/185S-12V(-12IP)	SE80/185T-12V(-12IP)	SE100/185T-12V(-12IP)	
Item Code 24V			SE60/185S-24V(-24IP)	SE80/185T-24V(-24IP)	SE100/185T-24V(-24IP)	SE120/215T (-IP)
Item Code 12V PRO*	SEP30/125S(-IP)	SEP40/125S(-IP)	SEP60/185S-12V (IP)	SEP80/185T-12V(-12IP)	SEP100/185T-12V(-12IP)	
Item Code 24V PRO*			SEP60/185S-24V (IP)	SEP80/185T-24V(-24IP)	SEP100/185T-24V(-24IP)	SEP120/215T (-IP)



SE 130/250 T	SE 150/215 T	SE 170/250 TC	SE 210/250 TC	SP 240 TCi	SP 285 TCi
130 • 284	150 • 330	170 • 374	210 • 462	240 • 528	285 • 627
160 • 352	182 • 400	210 • 462	250 • 550	300 • 660	340 • 748
42' - 62' • 13 - 19	44' - 65' • 14 - 20	50' - 72' • 15 - 22	55' - 78' • 17 - 24	60' - 82' • 18 - 25	72' - 98' • 22 - 30
250 • 9.8"	215 • 8.46"	250 • 9.8"	250 • 9.8"	300 • 11.8"	300 • 11.8"
Twin	Twin	Twin Counter rot.	Twin Counter rot.	Twin Counter rot.	Twin Counter rot.
6.5 • 8.7	8.8 • 11.8	8 • 10.7	10 • 13.15	11.4 • 15.5	15 • 20
12/24	24	24	24	24	24 (48V motor)
37 • 77	38 • 79	44 • 97	68 • 150	70 • 154	73 • 160
750/400	- / 560	- / 550	- / 650	- / 700	- / 2x450 - 24V

SE130/250T-12V(-12IP)					
SE130/250T-24V(-24IP)	SE150/215T	SE170/250TC(-IP)	SE210/250TC	SP240TCi	SP285TCi
SEP130/250T-12V(-12IP)					
SEP130/250T-24V(-24IP)	SEP150/215T	SEP170/250TC(-IP)	SEP210/250TC	SEP240TCi	



EB Series thrusters*	EBS 20/110 S	EB 40/160 S	EB 60/160 S	EB 75/185 S	EB 90/185 S
Thrust at 10.5V/21V* (kg • lbs)	20 • 44	40 • 88	60 • 132	75 • 165	90 • 198
Thrust at 12V/24V* (kg • lbs)					
Typical boat size (ft • m)	up to 23' • 7	23' - 29' • 7 - 8.8	29' - 38' • 9 - 12	32' - 45' • 9,7 - 14	39' - 50' • 12 - 17
Tunnel I.D. (mm • in)	110 • 4.33"	160 • 6,3"	160 • 6,3"	185 • 7.3"	185 • 7.3"
Propulsion system	Single	Single	Single	Single	Single
Power at 10.5V/21V* (kw • Hp)	1.6 • 2.2	2.0 • 2.7	5,0 • 6.8	6,0 • 8.1	6,5 • 8.8
For DC system (V)	12	12	12/24	12/24	12/24
Weight (kg • lbs)	5 • 11	13 • 28,5	15 • 33	17 • 37,5	17 • 37,5
Rec. CCA (DIN** 12/24V)	200	250	630/ 315	750/375	820/410

Item Code 12V	EBS20/110S	EB40/160S	EB60/160S-12V	EB75/185S-12V	EB90/185S-12V
Item Code 24V			EB60/160S-24V	EB75/185S-24V	EB90/185S-24V



## Product Specifications Sheet



### SR Series thrusters\*

	SR 80/185 T	SR 100/185 T	SRL 80/185 T	SRL 100/185 T	SRV 80/185 T
Thrust at 10.5V/21V* (kg • lbs)	80 • 176	100 • 220	80 • 176	100 • 220	80 • 176
Thrust at 12V/24V* (kg • lbs)	96 • 212	96 • 212	96 • 212	96 • 212	96 • 212
Typical boat size (ft • m)	35' - 48' • 10 - 15	35' - 55' • 12 - 17	35' - 48' • 10 - 15	35' - 55' • 12 - 17	35' - 48' • 10 - 15
Tunnel I.D. (mm • in)	185 • 7.3"	185 • 7.3"	185 • 7.3"	185 • 7.3"	185 • 7.3"
Propulsion system	Twin	Twin	Twin	Twin	Twin
Power at 10.5V/21V* (kw • Hp)	4.4 • 6	6.3 • 8.4	4.4 • 6	6.3 • 8.4	4.4 • 6
For DC system (V)	12/24	12/24	12/24	12/24	12/24
Weight (kg • lbs)	31 • 68	44 • 97	31 • 68	44 • 97	31 • 68
Rec. CCA (DIN** 12/24V)	550/300	750/400	550/300	750/400	550/300
Installation	mould-in	mould-in	flange	flange	flange

Item Code 12V	SR80/185T-12V	SR100/185T-12V	SRL80/185T-12V	SRL100/185T-12V	SRV80/185T-12V
Item Code 24V	SR80/185T-24V	SR100/185T-24V	SRL80/185T-24V	SRL100/185T-24V	SRV80/185T-24V
Item Code 12V PRO*	SRP80/185T-12V	SRP100/185T-12V	SRLP80/185T-12V	SRLP100/185T-12V	SRVP80/185T-12V
Item Code 24V PRO*	SRP80/185T-24V	SRP100/185T-24V	SRLP80/185T-24V	SRLP100/185T-24V	SRVP80/185T-24V



SRV 100/185 T	SRV 130/250 T	SRV 170/250 TC	SRV 210/250 TC	SRV 285/300 TC
100 • 220	130 • 284	170 • 374	210 • 462	285 • 627
116 • 256	160 • 352	210 • 462	250 • 550	340 • 748
35' - 55' • 12 - 17	42' - 62' • 13 - 19	50' - 70' • 15 - 22	55' - 78' • 17 - 24	72' - 98' • 22 - 30
185 • 7.3"	250 • 9.8"	250 • 9.8"	250 • 9.8"	300 • 11.8"
Twin	Twin	Twin Counter rot.	Twin Counter rot.	Twin Counter rot.
6.3 • 8.4	6.5 • 8.7	8 • 10.7	11 • 14.5	15 • 20
12/24	12/24	24	24	24 (48V motor)
44 • 97	82 • 181	88 • 194	112 • 247	117 • 258
750/400	750/400	550	650	- / 2x450 - 24V
flange	flange	flange	flange	flange

SRV100/185T-12V	SRV130/250T-12V			
SRV100/185T-24V	SRV130/250T-24V	SRV170/250TC-24V	SRV210/250TC-24V	SRV285/300TC-48
SRVP100/185T-12V	SRVP130/250T-12V			
SRVP100/185T-24V	SRVP130/250T-24V	SRVL170/250TC-24V	SRVP210/250TC-24V	

### EX Series thrusters

	EX 35 S	EX 55 S	EX 75 S	EX 95 S	EX 110 D	EX 180 D
Thrust at 11.5V/23V* (kg • lbs)	25 • 55	40 • 88	53 • 117	67 • 148	80 • 176	130 • 264
Performance thrust* (kg • lbs)	35 • 77	55 • 121	74 • 163	95 • 210	110 • 243	180 • 397
Typical boat size (ft • m)	20' - 28' • 6 - 8.5	26' - 34' • 8 - 10.5	29' - 38' • 9 - 12	35' - 48' • 10 - 15	35' - 53' • 12 - 16	44' - 59' • 14 - 18
Tunnel I.D. (mm • in)	150 • 5.9"	150 • 5.9"	150 • 5.9"	150 • 5.9"	150 • 5.9"	150 • 5.9"
Propulsion system	Single	Single	Single	Single	Dual	Dual
Power at 11.5V/23V* (kw • Hp)	1.3 • 1.75	1.8 • 2.4	2.3 • 3.1	3.0 • 4.0	4.0 • 5.4	6.0 • 8.0
For DC system (V)	12	12	24	24	12	24
Weight (kg • lbs)	19,5 • 43	19,5 • 43	19,5 • 43	19,5 • 43	35 • 77	35 • 77
Rec. CCA (DIN** 11.5/23V)	170	225	150	190	250	375

Item Code 12V	EX35S	EX55S				
Item Code 24V			EX75S	EX95S	EX110D	EX180D



EX 25 C	EX 40 C	EX 55 C	EX 70 C
25 • 55	40 • 88	53 • 117	67 • 148
-	-	-	-
18' - 26' • 5 - 8	24' - 34' • 7,5 - 10,5	28' - 36' • 8,5 - 11	32' - 42' • 9,5 - 13
150 • 5.9"	150 • 5.9"	150 • 5.9"	150 • 5.9"
Single	Single	Single	Single
1.3 • 1.75	1.8 • 2.4	2.3 • 3.1	3,0 • 4.0
12	12	24	24
12 • 26,5	12 • 26,5	12 • 26,5	12 • 26,5
170	225	150	190

EX25C	EX40C		
		EX55C	EX70C



## Product Specifications Sheet



SX Series thrusters	SX 80/185 T	SX 100/185 T
Thrust at 10.5V/21V* (kg • lbs)	80 • 176	100 • 220
Thrust at 12V/24V* (kg • lbs)	96 • 212	116 • 256
Typical boat size (ft • m)	35' - 48' • 10 - 15	35' - 55' • 12 - 17
Tunnel I.D. (mm • in)	185 • 7.3"	185 • 7.3"
Propulsion system	Twin	Twin
Power at 10.5V/21V* (kw • Hp)	4.4 • 6	6.3 • 8.4
For DC system (V)	12/24	12/24
Weight (kg • lbs)	52 • 115	57 • 125
Rec. CCA (DIN** 12/24V)	550/300	750/400
<b>Item Code 12V</b>	<b>SX80/185T-12V</b>	<b>SX100/185T-12V</b>
<b>Item Code 24V</b>	<b>SX80/185T-24V</b>	<b>SX100/185T-24V</b>
<b>Item Code 12V PRO*</b>	<b>SXP80/185T-12V</b>	<b>SXP100/185T-12V</b>
<b>Item Code 24V PRO*</b>	<b>SXP80/185T-24V</b>	<b>SXP100/185T-24V</b>

## Product features

- For more information regarding each feature go to our website and read more, or contact your Side-Power representative.





## Product Specifications Sheet



### Battery and cable recommendations

#### SE, SEP, IP, SR, SRV, SRL, SX - series

- All cable lengths are the total of both - and + cables.
- Battery size is stated as minimum cold crank capacity, not Ah.
- Use slow fuse rated to hold stated Amp-Draw for min. 5 minutes.

Minimum and recommended cable dimensions can be identical due to safety margins and cable heat considerations for short cable lengths.

\* Minimum or recommended cable cross section in mm<sup>2</sup>

Model	Voltage	Nominal current draw	Min. battery CCA	Rec. fuse		<7m total + & -		7-14m total + & -		15-21m total + & -		22-28m total + & -		28-35m total + & -		36-45m total + & -	
						Min.	Rec.	Min.	Rec.	Min.	Rec.	Min.	Rec.	Min.	Rec.	Min.	Rec.
						mm2	AWG	mm2	AWG	mm2	AWG	mm2	AWG	mm2	AWG	mm2	AWG
SE30/125S	12 V	225 A	DIN: 200 SAE:380	ANL 150	mm2 AWG	35	50	50	70	70	95	95	120	120	2x70	2x70	2x95
						1	1/0	1/0	2/0	2/0	3/0	3/0	4/0	4/0	2x 2/0	2x2/0	2x 3/0
SE40/125S	12 V	315 A	DIN: 300 SAE: 570	ANL 250	mm2 AWG	35	50	70	95	95	120	120	2x95	2x95	2x120	2x120	260*
						1	1/0	2/0	3/0	3/0	4/0	4/0	2x 3/0	2x 3/0	2x 4/0	2x 4/0	
SE60/185S	12 V	370 A	DIN: 350 SAE:665	ANL 250	mm2 AWG	50	50	70	95	120	2x 70	2x70	2x95	2x 95	2x120	2x120	280*
						1	1/0	2/0	3/0	4/0	2x 2/0	2x2/0	2x 3/0	2x 3/0	2x 4/0	2x 4/0	
	24 V	170 A	DIN: 175 SAE: 332	ANL 150	mm2 AWG	25	35	25	35	25	35	35	50	50	60	60	70
						1	1	1	1	1	1	1	1/0	1/0	2/0	2/0	2/0
SE80/185T	12 V	530 A	DIN: 550 SAE:1045	ANL 400	mm2 AWG	70	70	120	2x 70	2x 70	2x 95	2x 95	2x120	2x 120	340*	NA	NA
						2/0	2/0	3/0	2x 2/0	2x 2/0	2x 2/0	2x 3/0	2x120	2x 4/0			
	24 V	260 A	DIN: 300 SAE: 570	ANL 250	mm2 AWG	35	35	35	50	70	70	70	95	95	120	120	2x 95
						1	1	1	1/0	2/0	2/0	2/0	3/0	3/0	4/0	4/0	4/0
SE100/185T	12 V	740 A	DIN: 750 SAE: 1425	ANL 500	mm2 AWG	95	95	2x 70	2x 95	2x 95							
						3/0	3/0	2x 2/0	2x 3/0	2x 3/0	280*	250*	375*	NA	NA	NA	NA
	24 V	340 A	DIN: 400 SAE: 760	ANL 325	mm2 AWG	50	50	50	70	70	95	95	120	120	2x 95	2x95	2x 120
						1	1/0	1/0	2/0	2/0	3/0	3/0	4/0	4/0	2x 3/0	2x 3/0	2x 4/0
SE120/215T	24V	420 A	DIN: 450 SAE: 855	ANL 325	mm2 AWG	70	-	50	-	70	-	95	-	120	-	150	-
						1/0	-	0	-	2/0	-	3/0	-	4/0	-	2x2/0	-
SE130/250T	12V	800 A	DIN: 400 SAE: 760	ANL 500	mm2 AWG	95	-	2x70	-	2x95	-	250*	375*	-	-	-	-
						3/0	-	2x2/0	-	2x3/0	-						
	24V	340 A	DIN: 400 SAE: 760	ANL 325	mm2 AWG	35	-	50	-	70	-	95	-	120	-	2x95	-
						1	-	1/0	-	2/0	-	3/0	-	4/0	-	2x3/0	-
SE150/215T	24V	610 A	DIN: 500 SAE: 900	ANL 500	mm2 AWG	70	-	95	-	120	-	2x95	-	2x95	-	2x95	-
						2/0	-	3/0	-	4/0	-	2x3/0	-	2x3/0	-	2x4/0	-
SE 170/250	24V	550 A	DIN: 500 SAE: 950	ANL 400	mm2 AWG	70	-	95	-	120	-	2x70	-	2x95	-	2x120	-
						0	-	3/0	-	4/0	-	2x2/0	-	2x3/0	-	2x4/0	-
SE 210/250	24V	500 A	DIN: 700 SAE: 1330	ANL 400-500	mm2 AWG	70	-	95	-	120	-	2x70	-	2x95	-	2x120	-
						2/0	-	3/0	-	4/0	-	2x2/0	-	2x3/0	-	2x4/0	-
SP 240/300	24V	610-670A	DIN: 700 SAE: 1330	ANL 500	mm2 AWG	70	-	95	-	120	-	190	(350CCA)	2x95	(400CCA)	2x120	(400CCA)
						2/0	-	3/0	-	4/0	-	2x3/0	(665CCA)	2x3/0	(760CCA)	2x4/0	(760CCA)
SP 285/300	24*2 48V	400-430A (48V)	DIN: 400 SAE: 760	ANL 325	mm2 AWG	50	-	70	-	95	-	95	-	103	-	140	-
						1	-	2/0	-	3/0	-	3/0	-	0	-	2x00	-





## Product Specifications Sheet



## Battery and cable recommendations EB-series and EX-series

- All cable lengths are the total of both - and + cables.
- Battery size is stated as minimum cold crank capacity, not Ah.
- Use slow fuse rated to hold stated Amp-Draw for min. 5 minutes.

Minimum and recommended cable dimensions can be identical due to safety margins and cable heat considerations for short cable lengths.

\* Minimum or recommended cable cross section in mm<sup>2</sup>

Model	Voltage	Nominal current draw	Min. battery CCA	Rec. Fuse		>5m total + & -		1-10m total + & -		10-20m total + & -	
						Min.	Rec.	Min.	Rec.	Min.	Rec.
EBS20	12 V	60 A	DIN: 200 SAE:380	150	mm2 AWG	50	-	-	-	-	-
						1/0	-	-	-	-	-
EB40	12 V	115 A	DIN: 300 SAE:570	250	mm2 AWG	50	-	70	-	-	-
EB60	12 V	115 A	DIN: 350 SAE:665	400	mm2 AWG	-	-	95	-	120	-
						-	-	3/0	-	4/0	-
EB75	24 V	115 A	DIN: 175 SAE:380	325	mm2 AWG	-	-	95	-	95	-
						-	-	3/0	-	3/0	-
EB90	12 V	115 A	DIN: 500 SAE:950	400	mm2 AWG	-	-	95	-	120	-
						-	-	3/0	-	4/0	-
EB90	24V	150 A	DIN: 250 SAE:475	325	mm2 AWG	-	-	95	-	95	-
						-	-	3/0	-	3/0	-

Model	Voltage	Nominal current draw	Min. battery CCA	Rec. Fuse		>8m total + & -		8-16m total + & -	
						Min.	Rec.	Min.	Rec.
EX35S	12 V	140 A	DIN: n/a SAE:550	100	mm2 AWG	35	-	70	-
EX25C						-	2/0	-	
EX55S	12 V	187 A	DIN: n/a SAE:550	125	mm2 AWG	50	-	70	-
EX40C						1/0	-	2/0	-
EX75S	24 V	120 A	DIN: n/a SAE:550	80	mm2 AWG	25	-	50	-
EX55C						-	1/0	-	
EX95S	24V	175 A	DIN: n/a SAE:550	100	mm2 AWG	50	-	70	-
EX70C						1/0	-	2/0	-
EX110D	12 V	2x187 A	DIN: n/a SAE:550	2x125	mm2 AWG	50	-	70	-
EX180D	24V	2x175 A	DIN: n/a SAE:551	2x125	mm3 AWG	50	-	70	-
						1/0	-	2/0	-

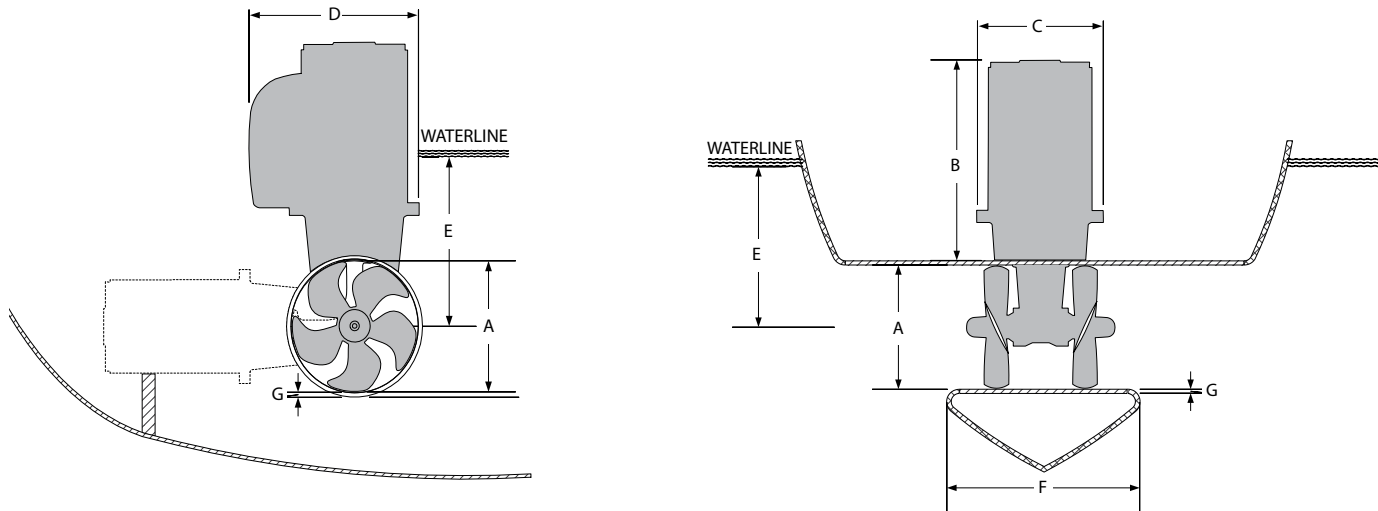




## Product Specifications Sheet

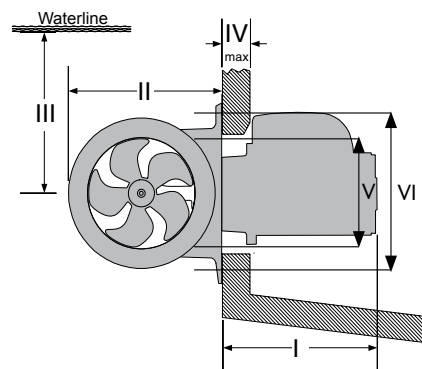


## Measurements SE Series



Thruster (mm • in)	A	B	C	D	E <sub>min</sub>	F	F <sub>recommended</sub>	G <sub>min</sub>	G <sub>max</sub>
SE30/125S	125 • 4.92	245 • 9.65	190 • 7.5	180 • 7.1	125 • 4.9	92 • 3.6	184 • 7.25	4 • 0.16	5 • 0.20
SE40/125S	125 • 4.92	245 • 9.65	190 • 7.5	180 • 7.1	125 • 4.9	92 • 3.6	184 • 7.25	4 • 0.16	5 • 0.20
SE60/185S	185 • 7.3	268 • 10.5	208 • 8.2	197 • 7.8	150 • 5.9	117 • 4.6	234 • 9.2	4 • 0.16	6 • 0.24
SE80/185S	185 • 7.3	361 • 14.2	208 • 8.2	200 • 7.9	200 • 7.9	170 • 6.7	340 • 13.4	6 • 0.24	8 • 0.31
SE100/185T	185 • 7.3	396 • 15.6	245 • 9.6	245 • 9.6	200 • 7.9	170 • 6.7	340 • 13.4	6 • 0.24	8 • 0.31
SE120/215T	215 • 8.46	389 • 15.3	245 • 9.6	250 • 9.8	215 • 8.5	280 • 11.0	560 • 22.0	6 • 0.24	8 • 0.31
SE130/250T	250 • 9.84	398 • 15.7	254 • 10.0	256 • 10.1	230 • 9.0	280 • 11.0	560 • 22.0	7 • 0.28	10 • 0.39
SE150/215T	215 • 8.46	398 • 15.7	254 • 10.0	260 • 10.2	230 • 9.0	280 • 11.0	560 • 22.0	7 • 0.28	10 • 0.39
SE170/250TC	250 • 9.84	421 • 16.6	230 • 9.1	256 • 10.1	250 • 9.8	300 • 11.8	600 • 23.6	7 • 0.28	10 • 0.39
SE210/250TC	250 • 9.84	478 • 18.8	260 • 10.2	281 • 7.5	250 • 9.8	300 • 11.8	600 • 23.6	7 • 0.28	13 • 0.51
SP240TCi	300 • 11.81	503 • 19.8	266 • 10.5	296 • 11.7	300 • 11.8	300 • 11.8	600 • 23.6	10 • 0.39	13 • 0.51
SP285TCi	300 • 11.81	455 • 17.9	270 • 10.6	310 • 12.2	300 • 11.8	300 • 11.8	600 • 23.6	10 • 0.39	13 • 0.51

Stern thruster (mm • in)	I	II	III <sub>min</sub>	IV <sub>max</sub>	V	VI	Tunnel Length
SE30/125S	207 • 8.15	190 • 7.48	135 • 5.31	14 • 0.55	160 • 6.3	217 • 8.5	197 • 7.76
SE40/125S	207 • 8.15	190 • 7.48	135 • 5.31	14 • 0.55	160 • 6.3	217 • 8.5	197 • 7.76
SE60/185S	228 • 8.97	256 • 10.1	150 • 5.91	35 • 1.38	200 • 7.8	300 • 11.8	337 • 13.27
SE80/185S	321 • 13.7	256 • 10.1	200 • 7.87	54 • 2.13	200 • 7.8	300 • 11.8	337 • 13.27
SE100/185T	356 • 14.0	256 • 10.1	200 • 7.87	54 • 2.13	200 • 7.8	300 • 11.8	337 • 13.27
SE120/215T	349 • 4.92	300 • 11.8	215 • 8.46	54 • 2.13	200 • 7.8	300 • 11.8	330 • 13.0
SE130/250T	359 • 14.13	340 • 13.4	250 • 9.84	60 • 2.36	200 • 7.8	350 • 11.8	350 • 13.87
SE150/215T	359 • 14.13	300 • 11.8	215 • 8.46	54 • 2.13	200 • 7.8	350 • 13.8	330 • 13.0
SE170/250TC	382 • 15.04	340 • 13.4	250 • 9.84	60 • 2.36	200 • 7.8	350 • 13.8	350 • 13.87
SE210/250TC	420 • 46.54	360 • 14.2	300 • 11.81	50 • 1.97	200 • 7.8	350 • 13.8	350 • 13.87
SP240TCi	454 • 17.9	420 • 16.5	300 • 11.81	60 • 2.36	258 • 10.2	396 • 15.6	456 • 17.95
SP285TCi	406 • 15.98	420 • 16.5	300 • 11.81	60 • 2.36	258 • 10.2	396 • 15.6	456 • 17.95

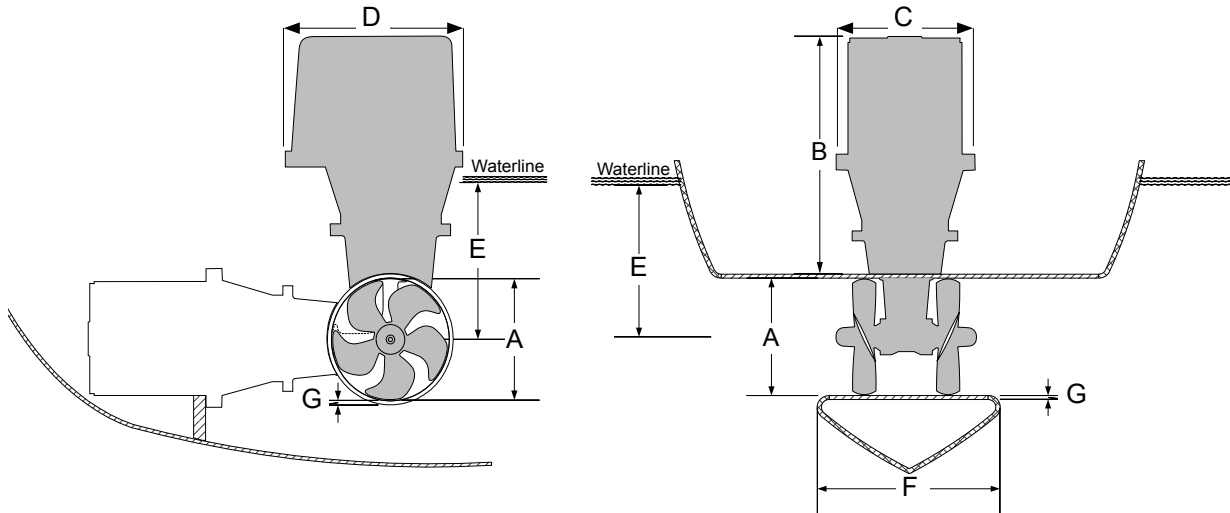




## Product Specifications Sheet

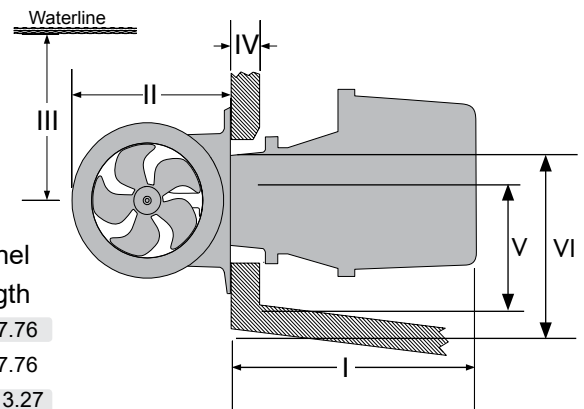


### Measurements SE IP Series



Thruster (mm • in)	A	B	C	D	E <sub>min</sub>	F	F <sub>recommended</sub>	G <sub>min</sub>	G <sub>max</sub>
SE30/125S IP	125 • 4.92	245 • 9.6	226 • 8.9	230 • 9.1	125 • 4.92	92 • 3.6	184 • 7.25	4 • 0.16	5 • 0.20
SE40/125S IP	125 • 4.92	245 • 9.6	226 • 8.9	230 • 9.1	125 • 4.92	92 • 3.6	184 • 7.25	4 • 0.16	5 • 0.20
SE60/185S IP	185 • 7.3	270 • 10.6	230 • 9.1	272 • 10.7	150 • 5.91	117 • 4.6	234 • 9.2	4 • 0.16	6 • 0.24
SE80/185S IP	185 • 7.3	376 • 14.8	262 • 10.3	327 • 12.9	200 • 7.87	170 • 6.7	340 • 13.4	6 • 0.24	8 • 0.31
SE100/185T IP	185 • 7.3	451 • 17.8	308 • 12.1	382 • 15.0	200 • 7.87	170 • 6.7	340 • 13.4	6 • 0.24	8 • 0.31
SE120/215T IP	215 • 8.46	451 • 17.8	308 • 12.1	382 • 15.0	215 • 8.46	280 • 11	560 • 22.0	6 • 0.24	8 • 0.31
SE130/250T IP	250 • 9.84	451 • 17.8	308 • 12.1	382 • 15.0	230 • 9.00	280 • 11	560 • 22.0	7 • 0.28	10 • 0.39
SE170/250TC IP	250 • 9.84	451 • 17.8	308 • 12.1	382 • 15.0	250 • 9.84	300 • 11.8	600 • 23.6	7 • 0.28	10 • 0.39

Stern thruster (mm • in)	I	II	III <sub>min</sub>	IV <sub>max</sub>	V	VI	Tunnel Length
SE30/125S IP	226 • 8.89	190 • 7.48	135 • 5.1	14 • 0.55	160 • 6.3	217 • 8.5	197 • 7.76
SE40/125S IP	226 • 8.89	190 • 7.48	135 • 5.31	14 • 0.55	160 • 6.3	217 • 8.5	197 • 7.76
SE60/185S IP	235 • 10.43	256 • 10.1	150 • 5.91	35 • 1.38	200 • 7.8	300 • 11.8	337 • 13.27
SE80/185S IP	399 • 15.70	256 • 10.1	200 • 7.87	54 • 2.13	200 • 7.8	300 • 11.8	337 • 13.27
SE100/185T IP	414 • 16.29	256 • 10.1	200 • 7.87	44 • 1.73	200 • 7.8	300 • 11.8	337 • 13.27
SE120/215T IP	417 • 16.40	300 • 11.8	215 • 8.46	44 • 1.73	200 • 7.8	300 • 11.8	330 • 13.00
SE130/250T IP	417 • 16.40	340 • 13.4	250 • 9.84	60 • 2.36	200 • 7.8	350 • 13.8	350 • 13.87
SE170/250TC IP	417 • 16.40	340 • 13.4	250 • 9.84	60 • 2.36	200 • 7.8	350 • 13.8	350 • 13.87







## Product Specifications Sheet

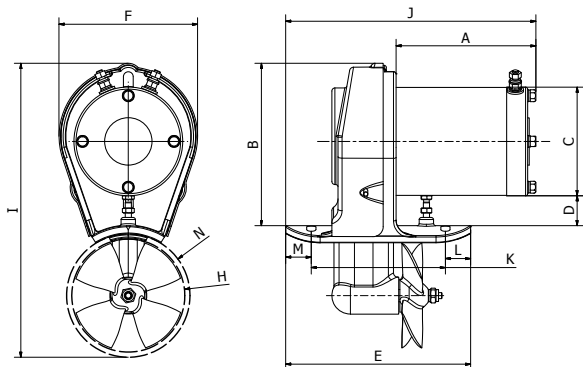


## Measurements EB Series

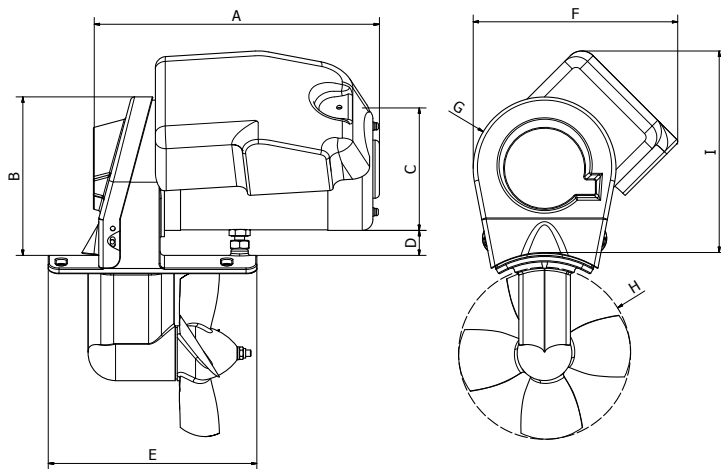
Model	EBS20	EB40	EB60	EB75	EB90
A	197 • 7.8	270 • 10.63	310 • 12.25	310 • 12.25	310 • 12.25
B	158 • 6.25	150 • 6.0	150 • 6.0	150 • 6.0	150 • 6.0
C	106 • 4.2	120 • 4.75	130 • 5.15	130 • 5.15	130 • 5.15
D	29 +/- 5 • 1.15 +/- 0.2	15 +/- 8 • 0.6 +/- 0.32	15 +/- 8 • 0.6 +/- 0.32	50 +/- 8	50 +/- 8
E	180 • 7.1	192 • 7.6	192 • 7.6	200 • 7.9	200 • 7.9
F	135 • 5.32	198 • 7.8	210 • 8.3	210 • 8.3	210 • 8.3
G	136 • 5.36	65,5 • 2.6	65,5 • 2.6	75 • 3.0	75 • 3.0
H	110 • 4.34	160 • 6.3	160 • 6.3	185 • 7.3	185 • 7.3
I	286 • 11.3	230 • 9.1			
J	248 • 9.8				
K	130,5 • 5.12				
L	24,5 • 0.95				
M	25 • 0.99				
N	120 • 4.73				

Measurements in mm • in

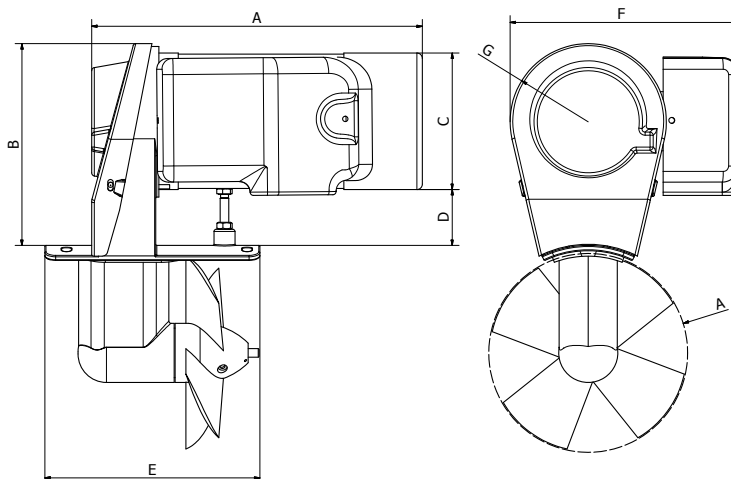
### EBS 20



### EB 40



### EB 60/ 75/90



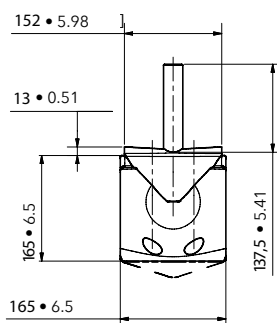
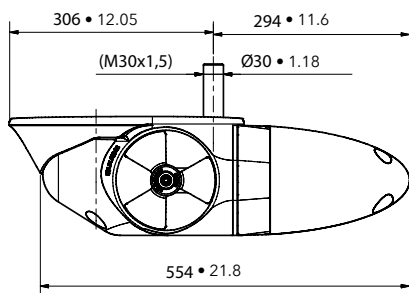


## Product Specifications Sheet

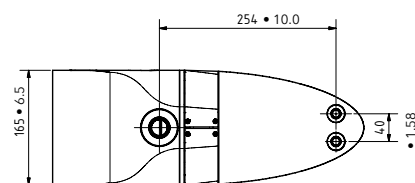
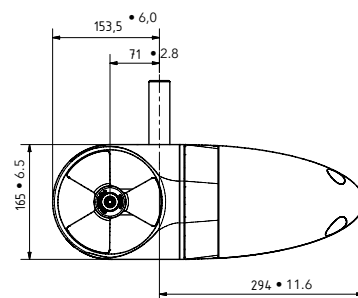


## Measurements EX Series

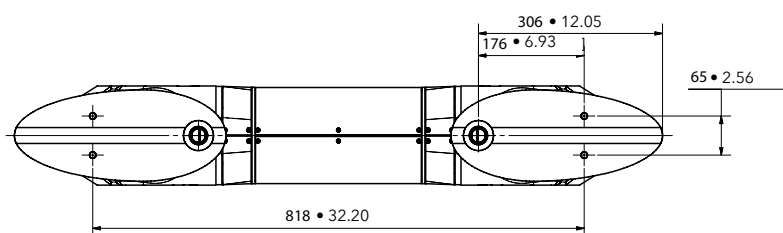
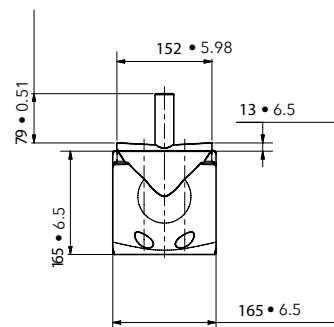
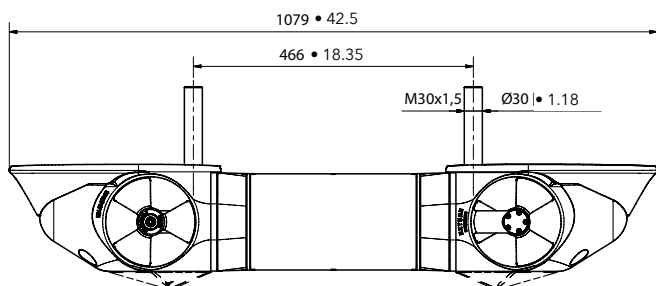
### EX Single



### EX Compact



### EX Dual

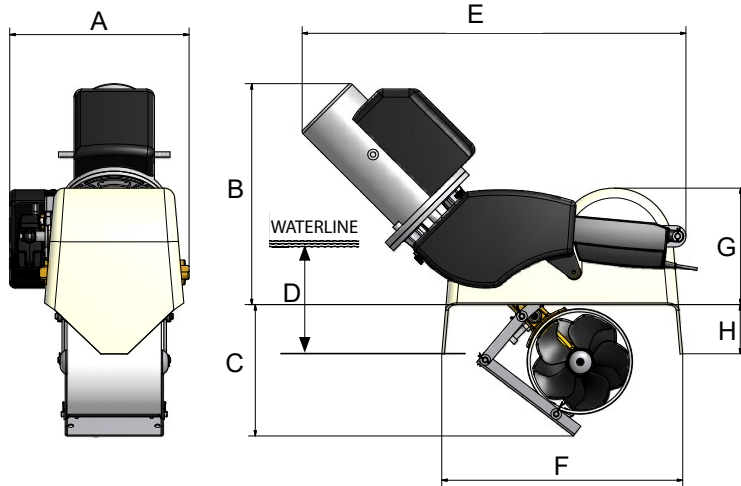




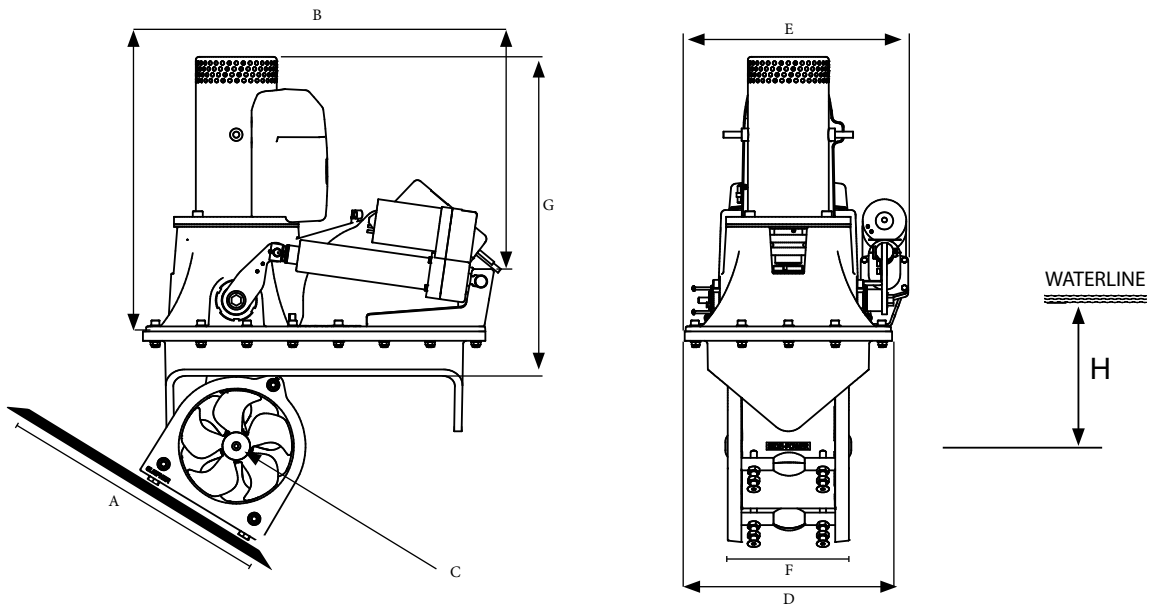
## Product Specifications Sheet



### Measurements SR Series



Thruster (mm • in)	A	B	C	D <sub>min</sub>	E	F	G	H
SR80/185T	335 • 13.2	413 • 16.3	245 • 9.6	185 • 7.3	716 • 28.2	450 • 17.7	218 • 8.6	92 • 3.6
SR100/185T	335 • 13.2	460 • 18.1	245 • 9.6	185 • 7.3	745 • 29.3	450 • 17.7	218 • 8.6	92 • 3.6



Thruster (mm • in)	A	B	C	D	E	F	G	G <sub>(w. Hyd. motor)</sub>	H <sub>min</sub>
SRV80/185T	450 • 17.7	564 • 22.2	Ø185 • 7.3	335 • 13.2	359 • 14.1	234 • 9.2	500 • 19.7	353 • 13.9	185 • 7.3
SRV100/185T	450 • 17.7	564 • 22.2	Ø185 • 7.3	335 • 13.2	359 • 14.1	234 • 9.2	535 • 21.1	353 • 13.9	185 • 7.3
SRV130/250T	600 • 23.6	688 • 27.1	Ø250 • 9.8	395 • 15.6	480 • 18.9	370 • 14.7	594 • 23.4	482 • 19.0	250 • 9.8
SRV170/250TC	600 • 23.6	688 • 27.1	Ø250 • 9.8	395 • 15.6	480 • 18.9	370 • 14.7	609 • 24.0	482 • 19.0	250 • 9.8
SRV210/250TC	600 • 23.6	688 • 27.1	Ø250 • 9.8	395 • 15.6	480 • 18.9	370 • 14.7	694 • 27.3	482 • 19.0	250 • 9.8
SRV285/300TC	600 • 23.6	843 • 33.2	Ø300 • 11.8	580 • 15.6	580 • 22.8	413 • 16.3	732 • 28.8	- - -	300 • 11.8

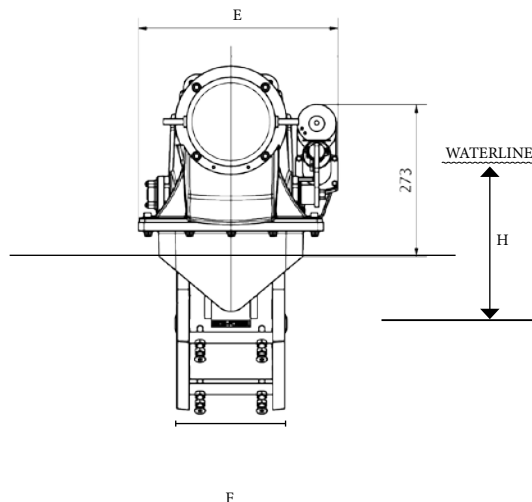
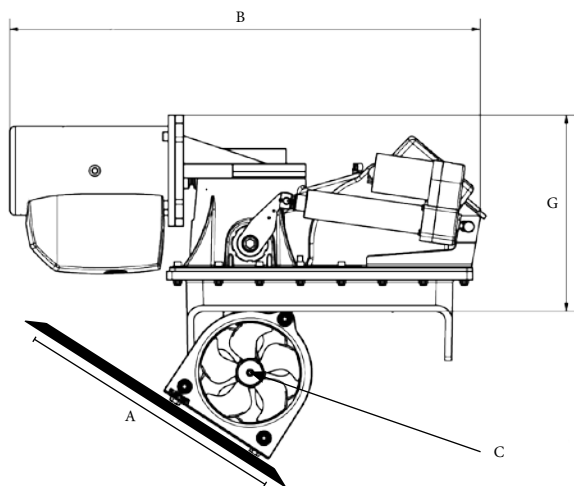




## Product Specifications Sheet

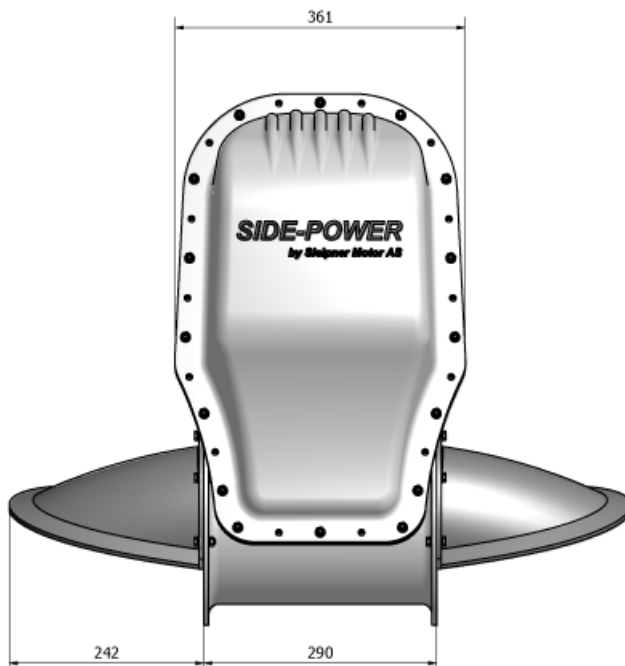
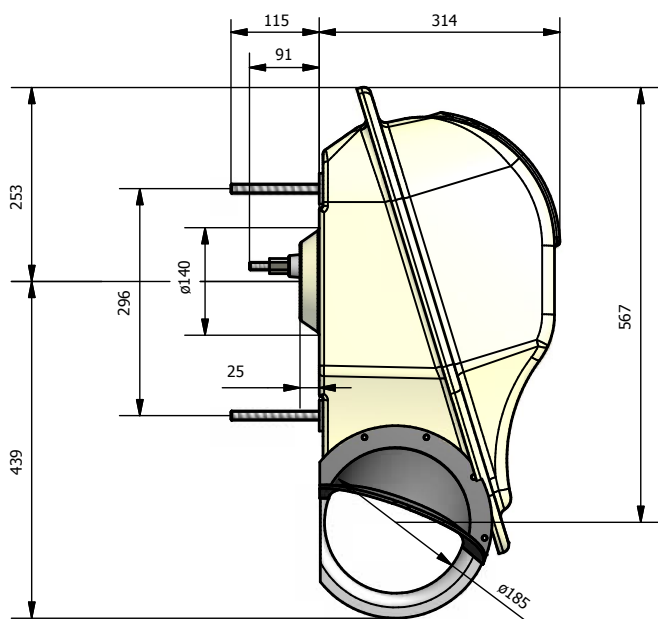


### Measurements SR Series



Thruster (mm • in)	A	B	C	D	E	F	G	H <sub>min</sub>
SRL80/185T	500 • 17.7	845 • 33.3	Ø185 • 7.3	335 • 13.2	359 • 14.1	234 • 9.2	352 • 13.6	185 • 7.3
SRL100/185T	500 • 17.7	845 • 33.3	Ø185 • 7.3	335 • 13.2	359 • 14.1	234 • 9.2	352 • 13.6	185 • 7.3

### Measurements SX Series



Max. stern thickness: 100mm (80mm recommended)



Confidence by Control

[SIDE-POWER.com](http://SIDE-POWER.com)



## Product Specifications Sheet



### Maintenance

- DC motor: See User and Installation manuals for each model for more information.

### Material specifications

- DC Motor: There are no hazardous materials in this product, ref material declaration.

### Health and Safety

- Gearleg and DC motor: The Gearleg is shipped with gear oil - precautionary measures must be taken . The gearleg and DC Motor is very powerful and precautionary measures must be taken considering rotating propeller and electrical installation. Gear oil is flameable and and gasses from a fire is generally toxic.
- See Installation and User manual for more information.

*This document may contain typographical errors and changes, to which Sleipner Motor assumes no responsibility.*



Sleipner Motor AS  
P.O. Box 519,  
N-1612 Fredrikstad, Norway  
Tel: +47 69 30 00 60  
Fax: +47 69 30 00 70  
sidepower@sleipner.no  
www.side-power.com



Confidence by Control

**SIDE-POWER.com**

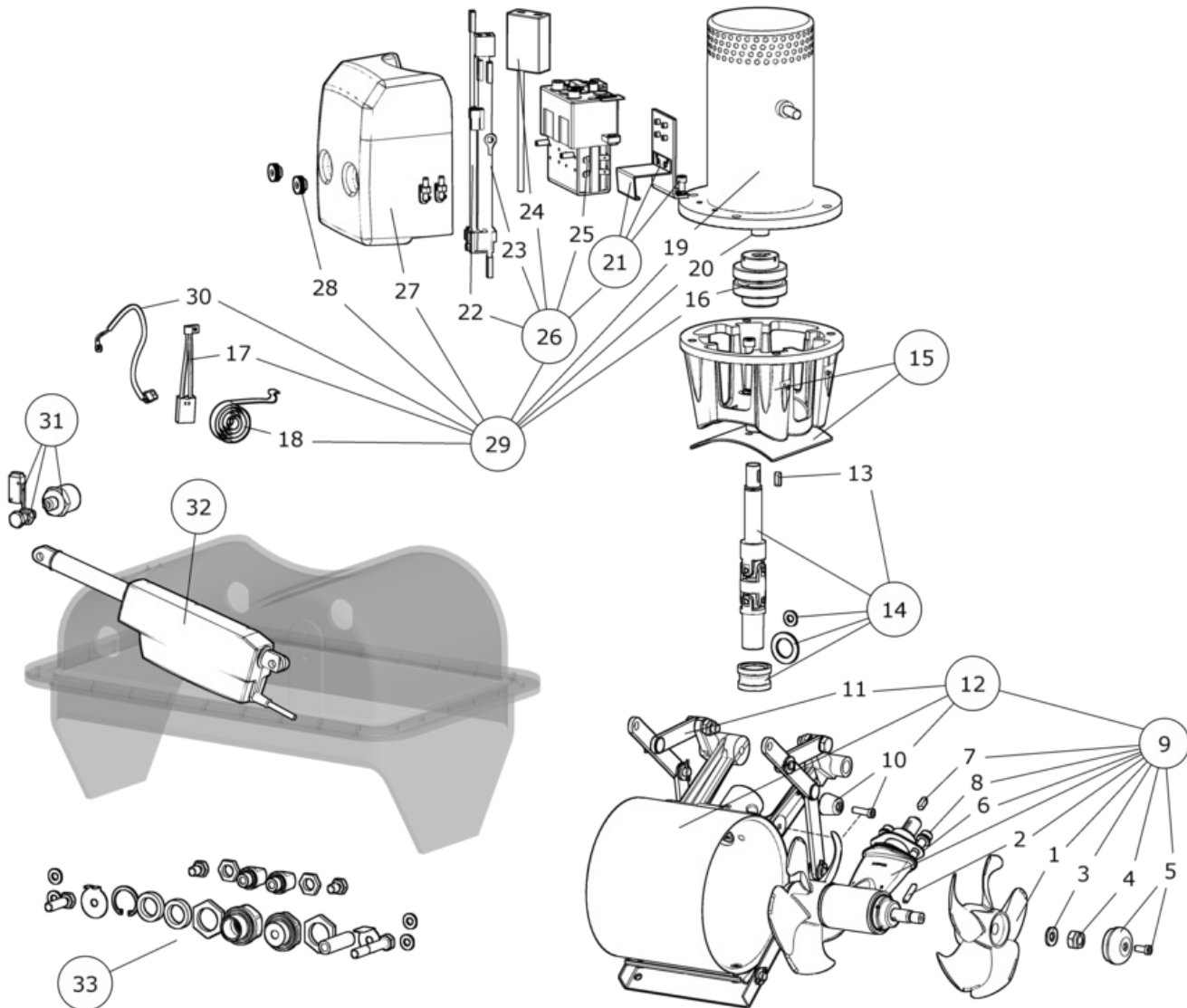
# SR100/185T-12V

## SR100 Retractable bow/stern thruster 12V



# SLEIPNER

Spare parts (valid from 2017-06-30)



#	Name	Item Code	Description
1	Propeller	7 1261	Thruster propeller Twin Ø185 / 5 bl
2	Propeller drivepin	6 1241	Drive pin for propeller 5mm
3	Propeller washer	7 1181	Propeller washer SE60/80/100
4	Locknut	4 1260	Lock nut
5	Anode	7 1190 A	Anode kit, aluminium for SE60/80/100
6	Gasket	7 1314	Gasket for gearleg installation in tunnel,SE80/100
7	Driveshaft key	6 1440	Key for flexible coupling 7HP/SP75/95
8	Gearleg bolt	7 1080	Bolt M8 x 55 Unbraco
9	Complete gearleg	8 0601	Complete gearleg SE80/100
10	Anode retract mechanism	6 1180	Anode kit, zinc for 4HP up to 1999
11	Support stay kit	6 2200	Support stay set Retract
12	Complete SR retract mechanism	6 2199	Retract Ø185 Tunnel Complete Set
13	Key for shaft	10 1440	Key for drive shaft SP95/125++
14	Complete shaft kit	SM-125229	Complete joint w/key and seal SR80/100
15	Motor bracket complete	125230	Motor bracket SR80/100
16	Complete flexible coupling	7 1462	Flexible coupling Ø16/Ø20mm
17	Brushes for motor (kit)**		**
18	Brush springs for motor (kit)**		**
19	Electric motor	8 1012 K	Electric motor SE100 12V
20	Key for electric motor shaft	10 1440	Key for drive shaft SP95/125++
21	Solenoid bracket kit	8 0136	Solenoid bracket kit
22	Internal wiring loom	15 1274	Internal wiring harness
23	Internal wiring loom	6 1223	Internal wiring harness
24	Electronic control unit	6 1242	Control box Retract
25	Solenoid	1013713	Solenoid replacement
26	Complete solenoid kit	8 0132 12	Solenoid, complete replacement with IPC & bracket
27	Solenoid Cover	6 2025	Solenoid cover for SE80T
28	Nut for solenoid cover	6 8810	Nut for solenoid cover
29	Complete electric motor assembly	8 0105 12	Complete electric motor for thruster SR100-12V
30	Temp switch*		*
31	Sensor kit	6 2103	End stop sensor kit 12V
32	Actuator kit	6 2300	Actuator retract, complete 12V
33	Complete sealing SR kit	125224	Bushing kit SR80/100

The installer alone has responsibility for the installation of the spare parts. Side-Power only warranty the spare parts supplied only.

The information given in the document was correct at the time it was published. However, Sleipner Motor AS can not accept liability for any inaccuracies or omissions it may contain. Continuous product improvement may change the product specifications without notice. Therefore, Sleipner Motor AS can not accept liability for any possible differences between product and document.