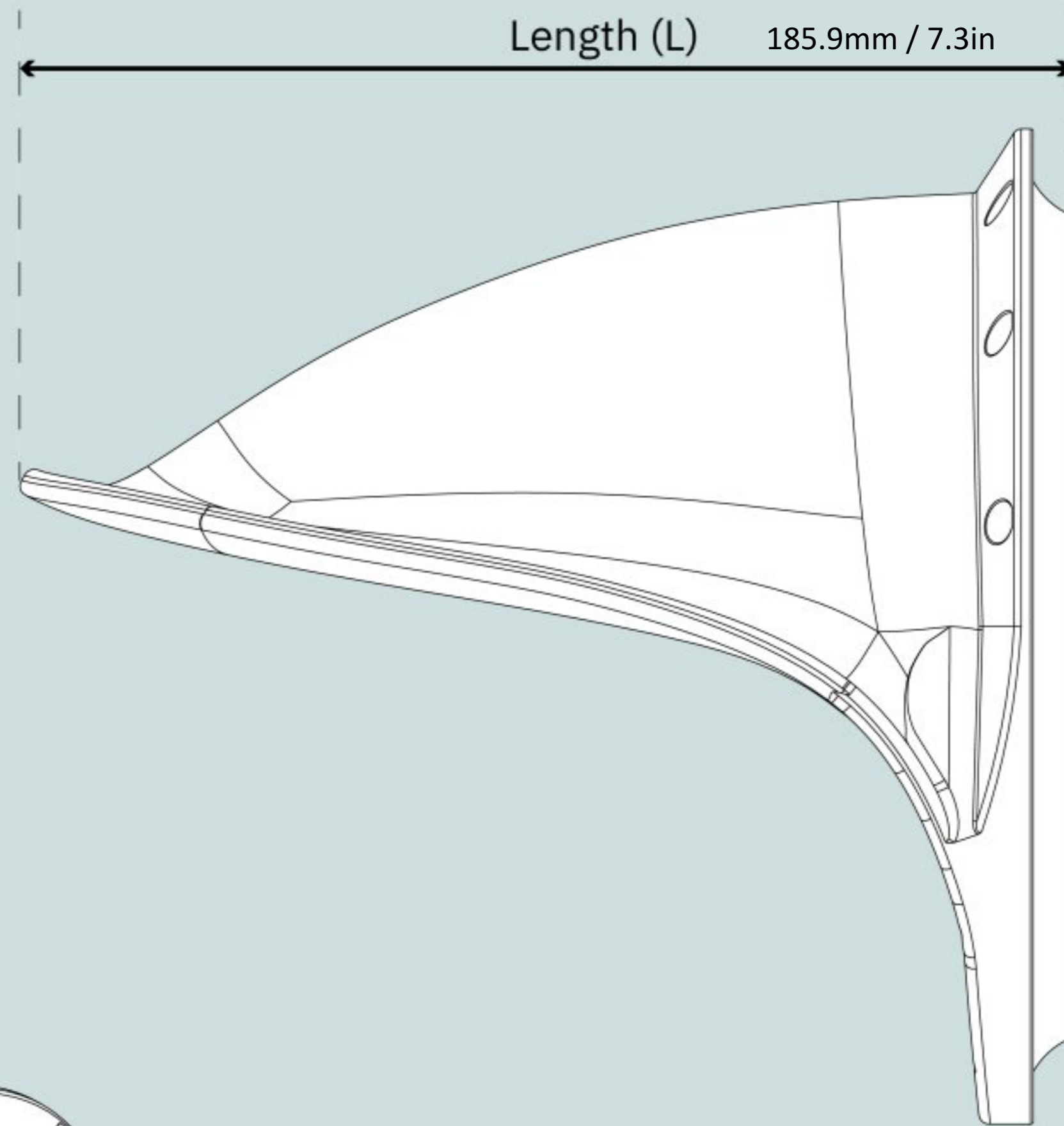


Suitable for tunnels with
Internal Diameter
(ID)

140mm / 5.5in

176mm / 6.9in
Diameter
(D)



Length (L) 185.9mm / 7.3in

