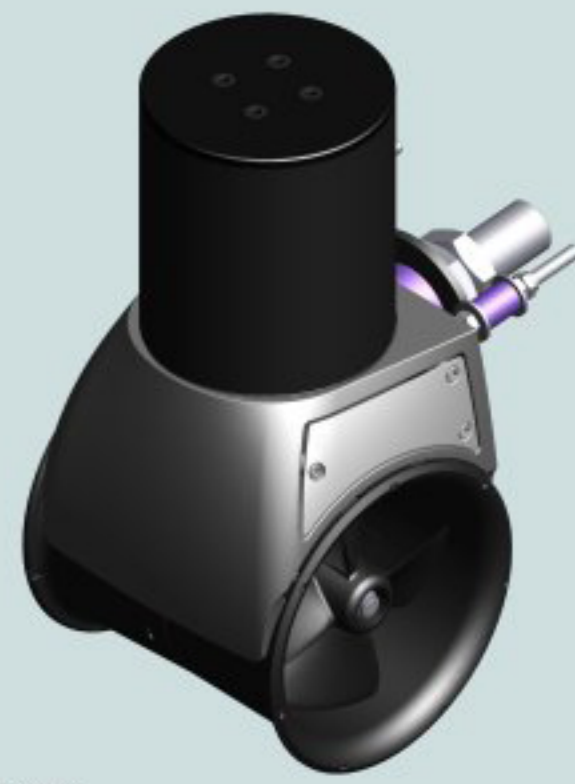
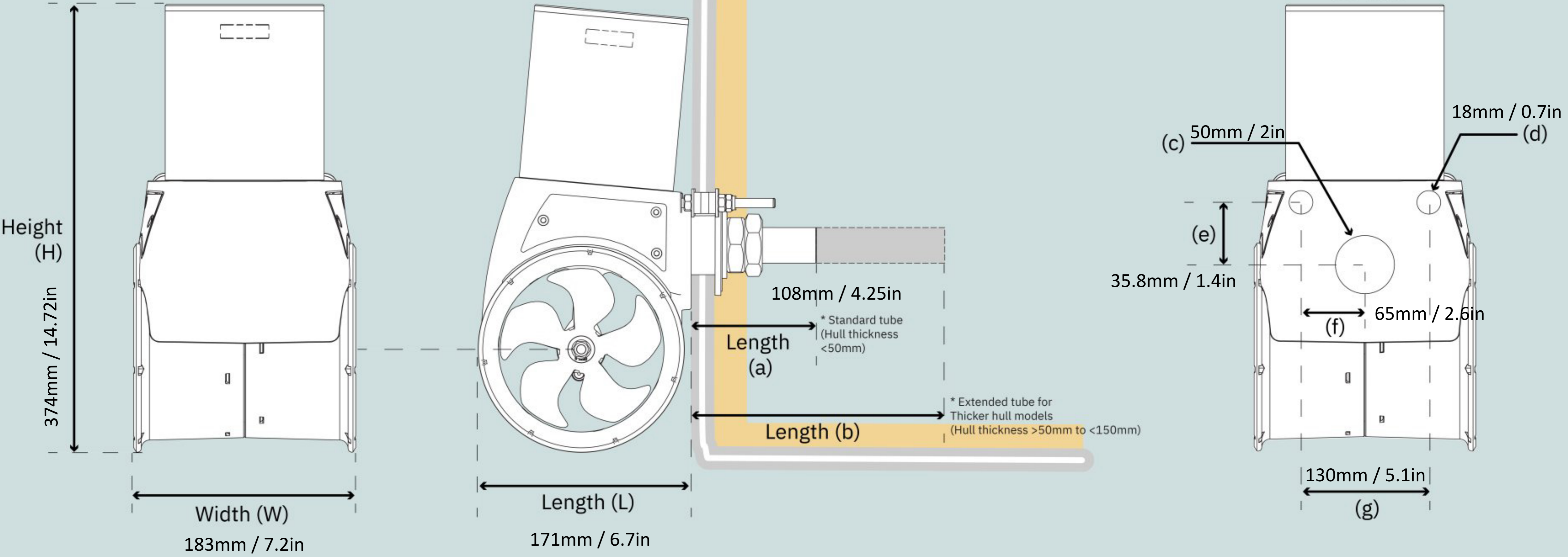


Weight 15.3kg / 33.73lbs



Waterline

SX Rear

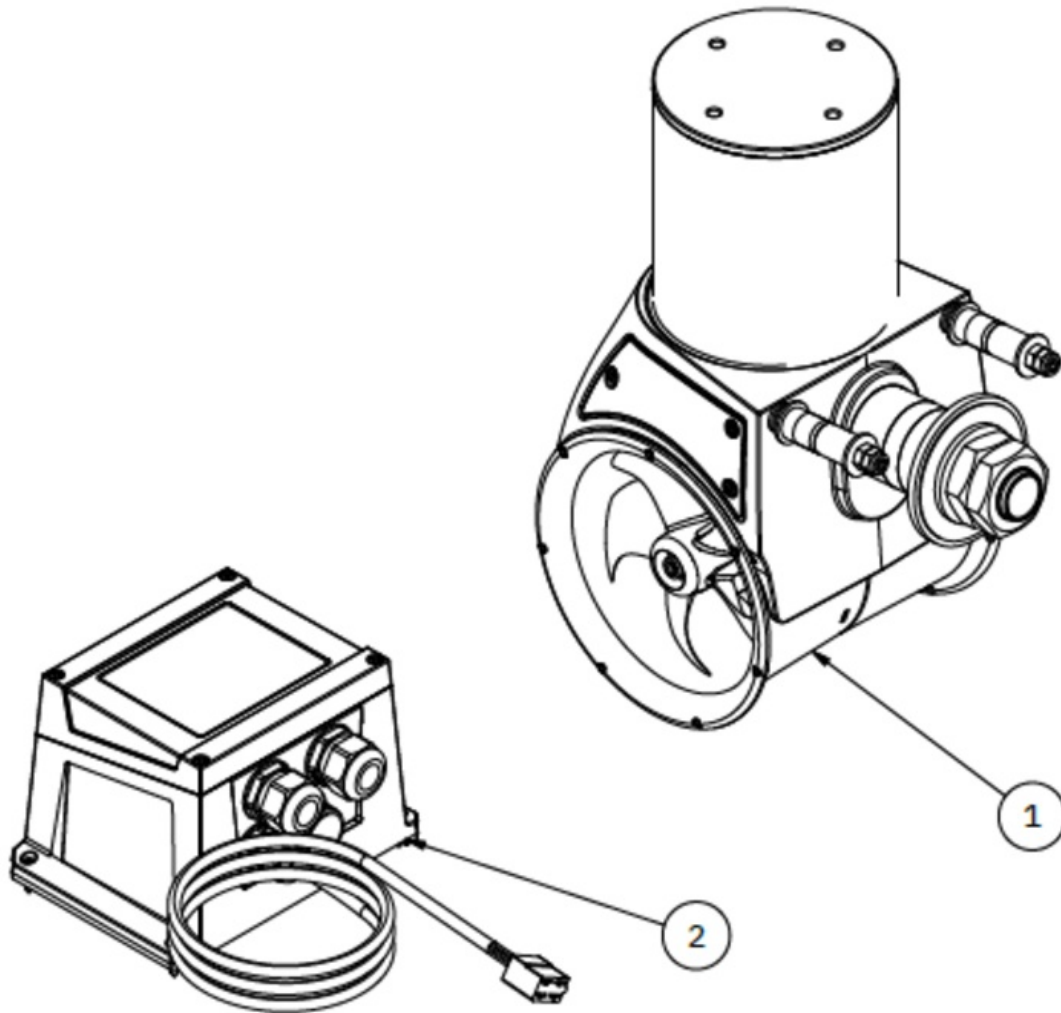


SX50/140-12V-50MM
SX50 External stern thruster 12V
w/Controller

Spare parts (valid from 2021-12-14)



SLEIPNER



#	Name	Item Code	Description
1	SX140 50	SM-147297	SX50/140 Thruster only
2	SX Controller	CONT-SX50-12V	Controller, SX50

The installer alone has responsibility for the installation of the spare parts. Side-Power only warranty the spare parts supplied only.

The information given in the document was correct at the time it was published. However, Sleipner Motor AS can not accept liability for any inaccuracies or omissions it may contain. Continuous product improvement may change the product specifications without notice. Therefore, Sleipner Motor AS can not accept liability for any possible differences between product and document.