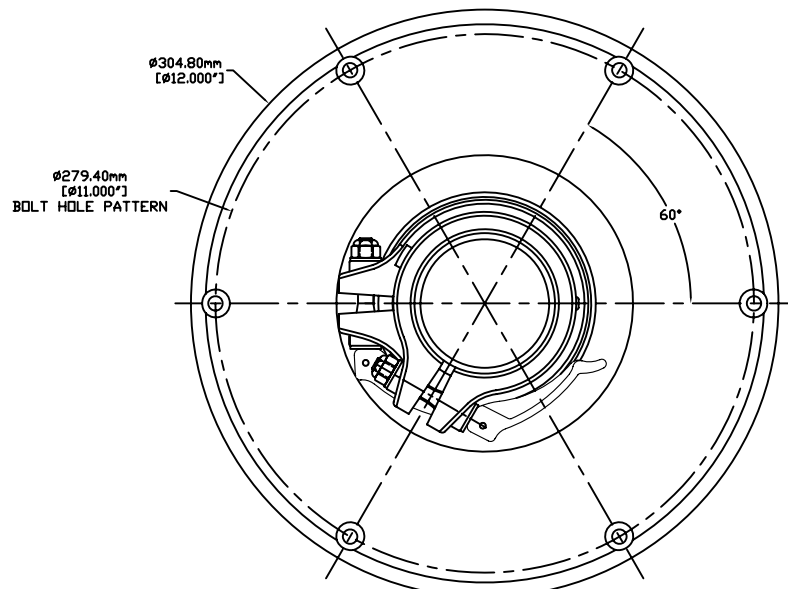
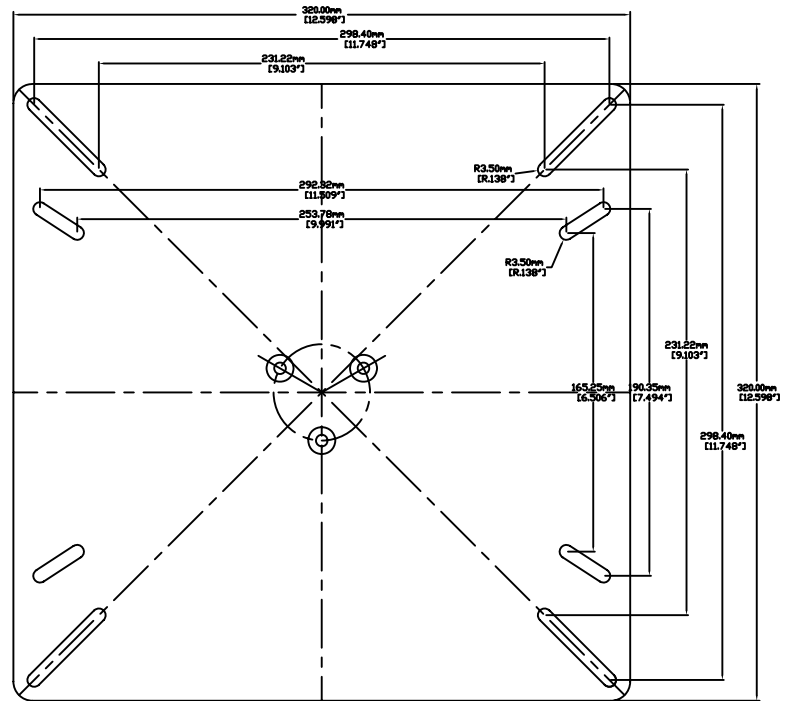
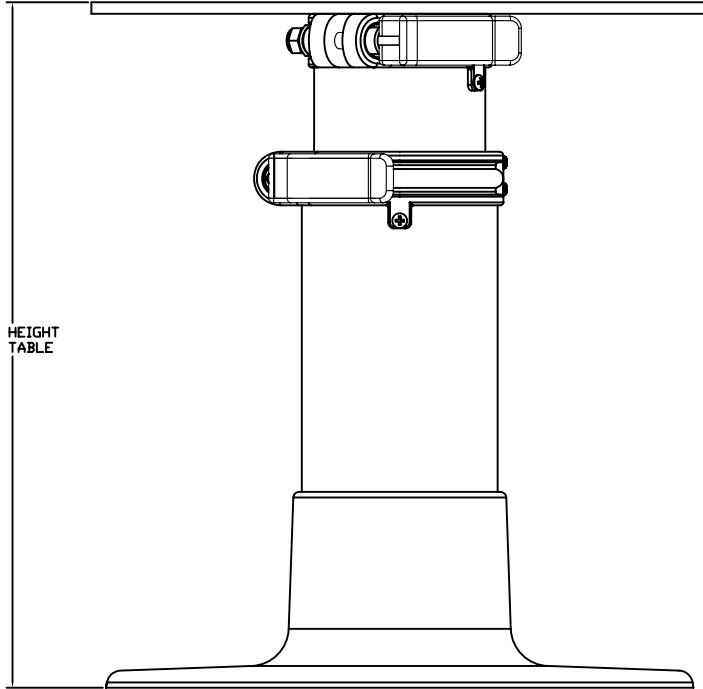


UNIT HEIGHT  
SEE  
TABLE



BASE MOUNTING PATTERN  
BASE DESIGNED TO WORK WITH A MINIMUM  
#12 82° CO'SINK SCREW

3-STAGE TABLE PEDESTAL

| SALES #     | LOW POSITION       | MIDDLE POSITION    | HIGH POSITION      | PEDESTAL FINISH | BASE FINISH          | HARDWARE               |
|-------------|--------------------|--------------------|--------------------|-----------------|----------------------|------------------------|
| 1660230     | 12.752' [323.90mm] | 20.000' [508.00mm] | 28.031' [712.00mm] | SATIN ANODIZED  | SATIN ANODIZED       | STAINLESS STEEL        |
| 1660230-BLK | 12.752' [323.90mm] | 20.000' [508.00mm] | 28.031' [712.00mm] | BLACK ANODIZED  | BLACK POWDER<br>COAT | E-COATED MILD<br>STEEL |
| 1660231     | 14.000' [355.60mm] | 20.000' [508.00mm] | 28.031' [712.00mm] | SATIN ANODIZED  | SATIN ANODIZED       | STAINLESS STEEL        |