

eclipse Strip Light SL100 Installation Guide

60-0487 - Strip Light - Blue | 60-0488 - Strip Light - White | 60-0489 - Strip Light - Blue and White

Please read the following pages before attempting installation.



Before you start...

- Always ensure that the vessel's power source and battery are disconnected or isolated prior to installation.
- A qualified professional should carry out both the electrical and mechanical installation.
- The ECLIPSE Strip Light is fully sealed and can be installed inside or outside, it can be installed in wet areas but is not designed to be permanently submerged in water.
- Choose a location – the Strip Light is made from UV resistant material but should not be installed in areas of strong direct sunlight.
- The strip has a bend radius of 50mm (1.968in) in the vertical axis, do not bend in the horizontal axis or twist the Strip Light.
- The Strip Light is designed to work with 12V boats ONLY. It can operate between 10-15Volts DC. Do not connect voltages outside of this range or connect directly to AC voltage.

Typical power rating = \approx 5 Watts / Meter (each channel).

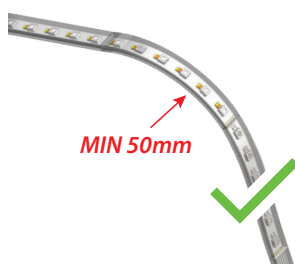
Typical current draw = 0.41A @ 12V



Important! DO NOT wire up both Blue and White channels to switch on at the same time.

Handling & Manipulating:

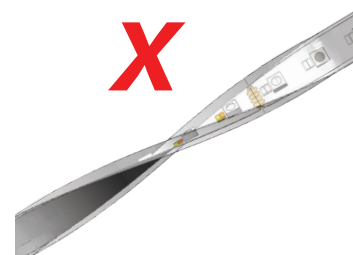
VERTICAL BEND ONLY



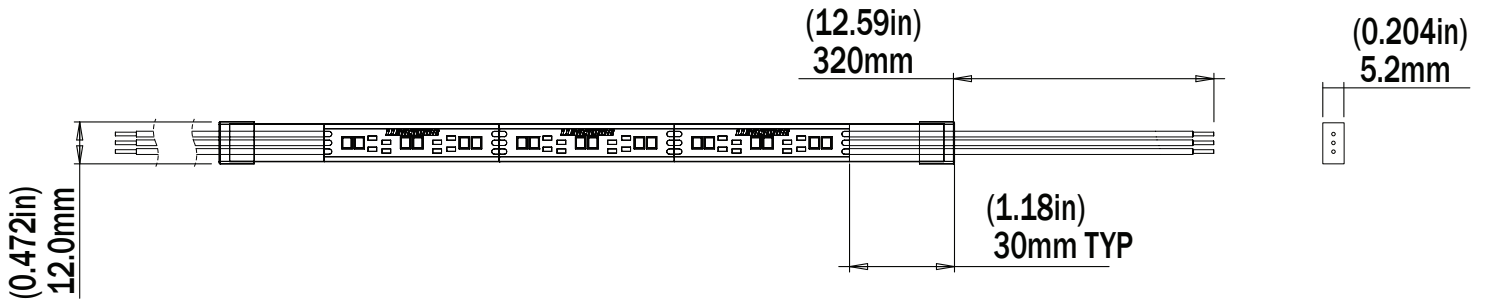
DO NOT BEND IN HORIZONTAL AXIS



DO NOT TWIST



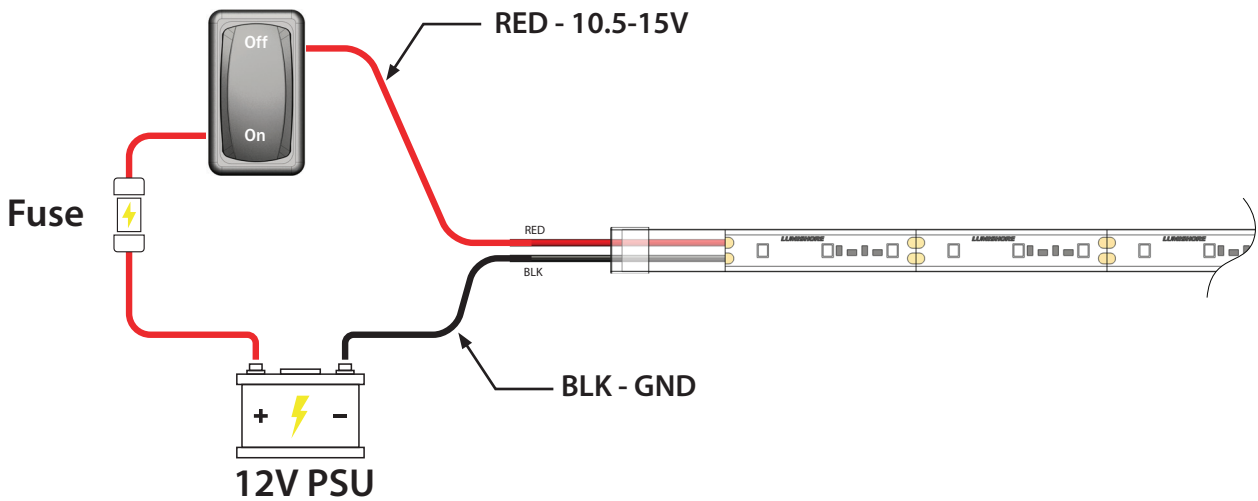
Basic Dimensions:



Installation Diagrams:

Single Color Strip - Switch Connection

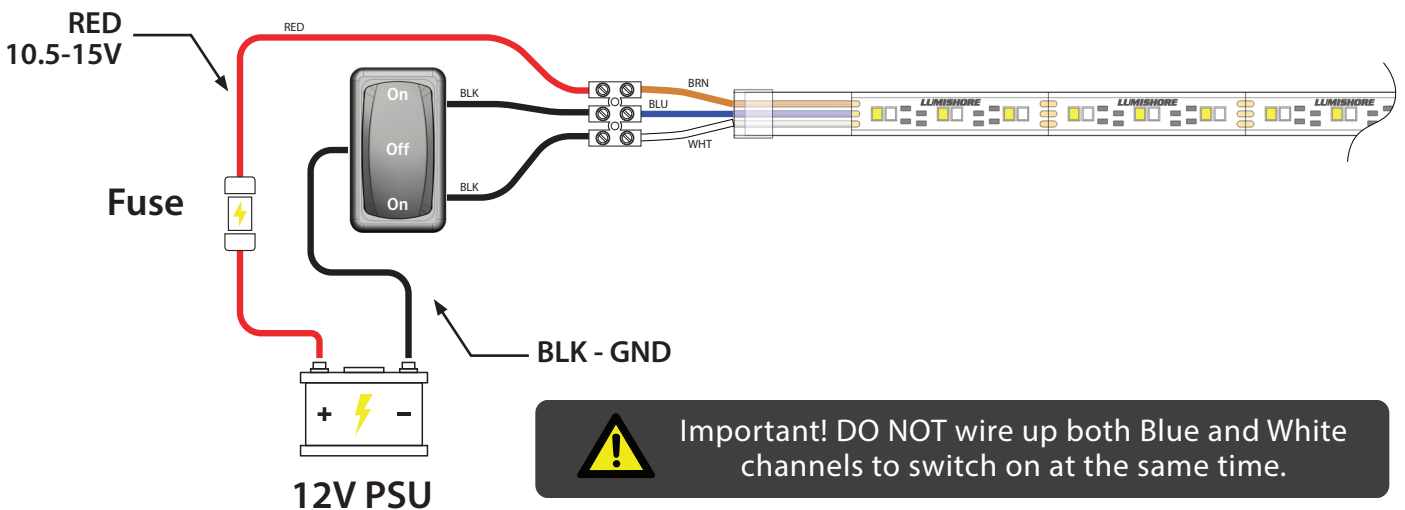
Switch (On/Off)



Dual Color Strip - Switch Connection

Note: Switch connects to negative wires of strip light.

Switch (On/Off/On)

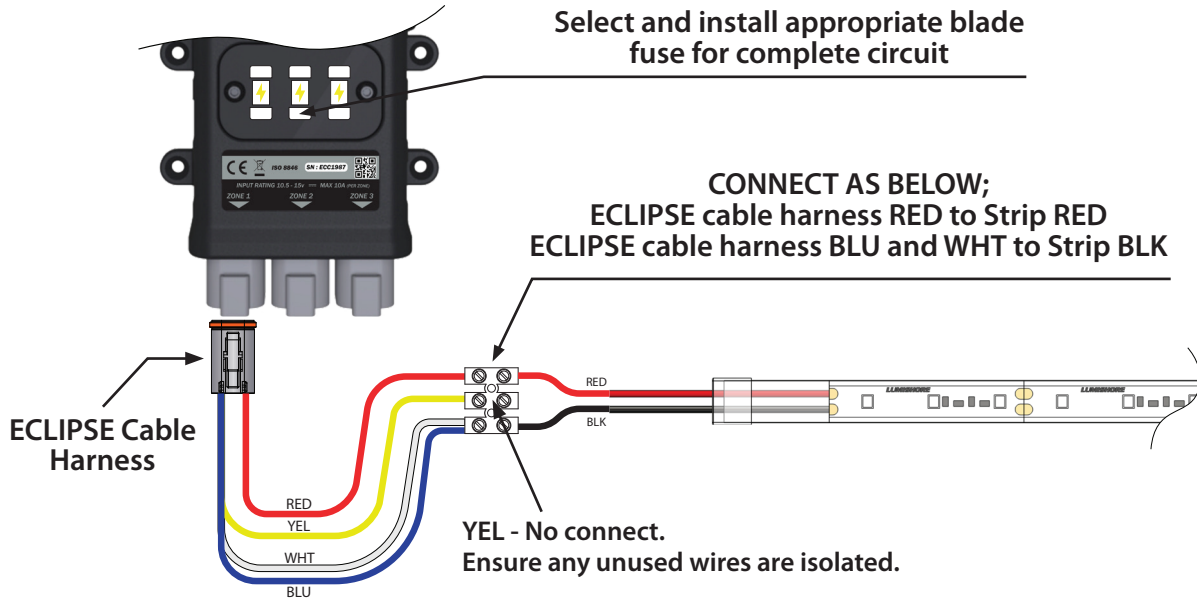


Important! DO NOT wire up both Blue and White channels to switch on at the same time.

Single Color Strip - ECLIPSE Command Center (max 10m per zone)

Note: For full ECLIPSE Command Center installation and control consult ECLIPSE Command Center installation manual.

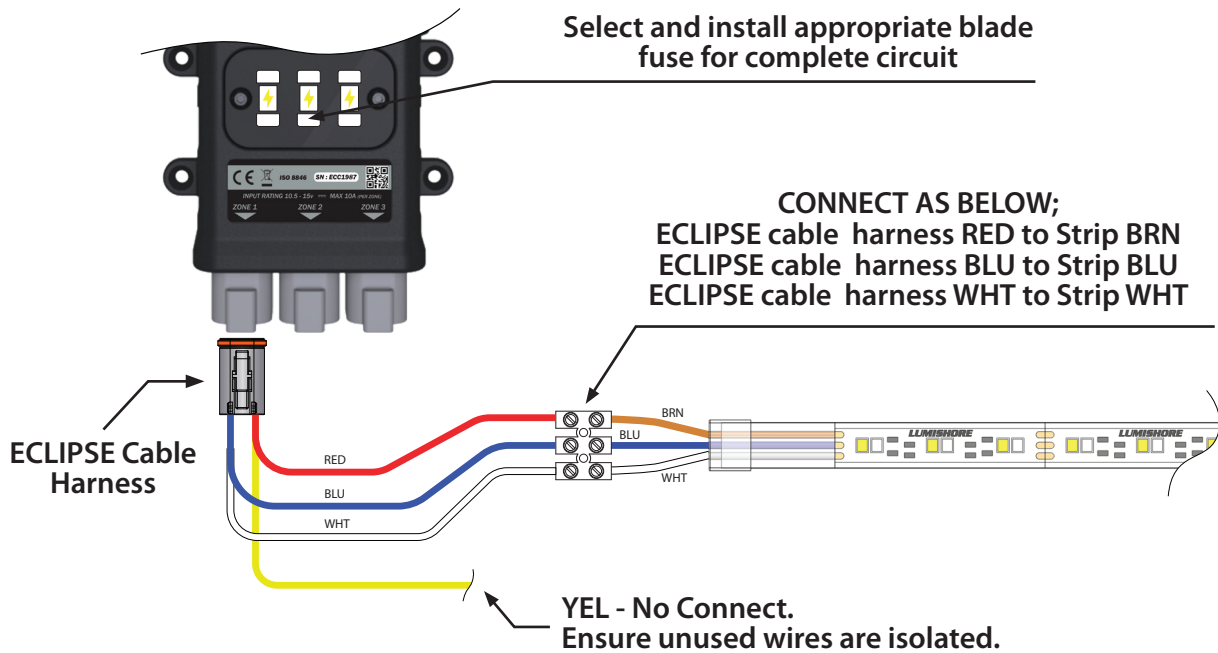
ECLIPSE Command Center



Dual Color Strip - ECLIPSE Command Center (max 10m per zone)

Note: For full ECLIPSE Command Center control consult ECLIPSE Command Center installation manual.

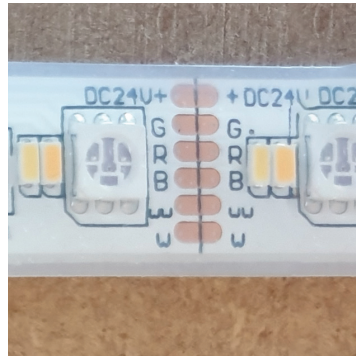
ECLIPSE Command Center



Note: Single color and dual color lights should not be added to the same zone output. Use a separate zone output for each type.

Cutting to length

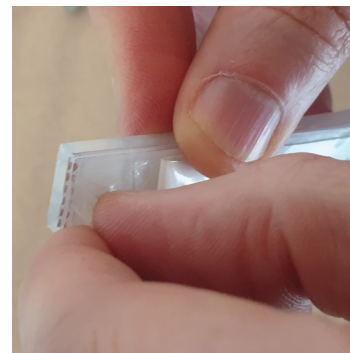
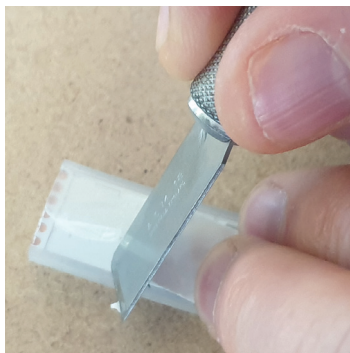
Unreel the strip light onto a flat surface and identify correct end to be cut. Measure and mark out the required length to cut. If installing around curved areas or corners we recommend that the strip light is “offered up” before cutting to ensure correct length has been marked out.



1. Locate the closest cut point to the length required.
2. Only cut on marked cut points.
3. Using a pair of scissors cut the strip light to length. Use a single cutting motion in the center of the cut pads.

End prep and sealing

It is important that the adhesive backing is properly removed from the end required to be sealed, skipping this step may compromise the watertight properties of the assembly and risk voiding warranty.



1. At the end to be sealed, peel back 20mm of the adhesive backing and very lightly score the adhesive 10mm from the end using a sharp blade.
2. Remove the adhesive tape from the score line to expose silicone underneath.



5. Half fill the end cap with silicone adhesive (supplied)
6. Fit end cap, clean up any excess adhesive. Allow to cure for 24hrs before handling. Do not use chemical cleaners

Mechanical Installation - 3M Adhesive Strip

Thoroughly clean the mounting surface using IPA, ensure it is dust and dirt free.

Peel back the 3M adhesive backing layer and firmly press strip light in place. Allow the adhesive to set for 24 hours before switching the strip light on.



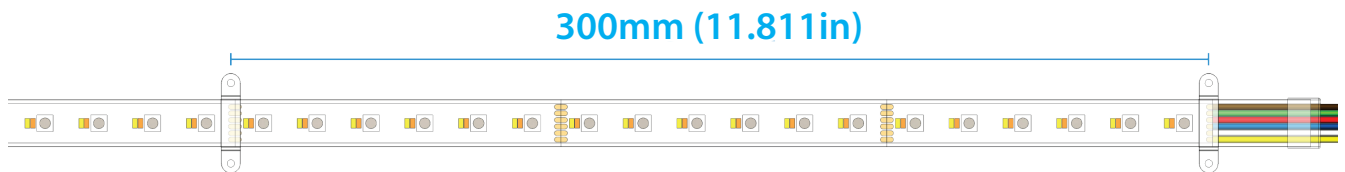
Outdoor Installation - Mounting Fasteners

For outdoor installation, wet areas or tight bend radii: it is recommended that mechanical fasteners are used in addition to the adhesive layer.

FASTENING CLIP



Using suitable screws the fasteners should be placed every 250 - 300mm (9.842 - 11.811 in) apart and/or at either side of the bend. For best results do not position in line with LED's.



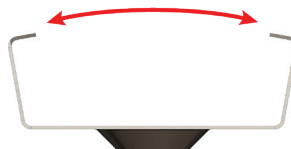
Mounting Clips (Optional)

For narrow mounting channels Lumishore can supply Stainless Steel metal clips. These are attached using a countersink screw. Gently prize open the metal clip and insert the strip light. Once in place gently squeeze the clip together over the strip light.

CTSK SCREW WITH METAL CLIP



PRIZE OPEN TO INSERT STRIP



SQUEEZE TOGETHER WITH STRIP IN PLACE



Warranty

LUMISHORE Ltd warrants the **ECLIPSE Strip Light** to be free from defects in workmanship and materials for a period of two years, starting from the date of original purchase. Misuse, abuse, improper installation, neglect, improper shipping, damage caused by disasters such as fire, flood, and lightning, installation by unqualified personnel, unauthorized repair or modification will void this warranty. For the avoidance of confusion and doubt, non-compliance with all installation, maintenance and operating instructions in this document constitute non-conformance with warranty terms.

