



LUMI-LINK™

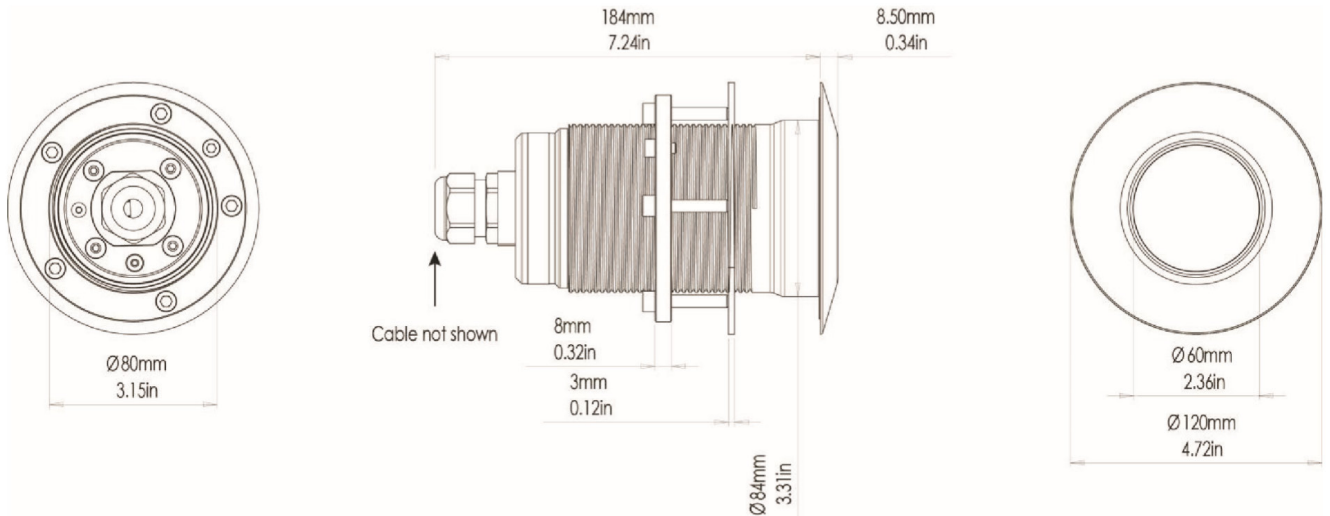
EOS Series - Full Color Change

TIX803

INTERCHANGEABLE THRU-HULL UNDERWATER LED LIGHT



| PART DESCRIPTION | EOS TIX803 INTERCHANGEABLE THRU-HULL UNDERWATER LED LIGHT |
|-------------------------|--|
| Part Number | 60-0337 |
| Available Colors | Full EOS Color Change (RGBW) |
| Lumens | 23,625 |
| Fixture Lumens (White) | 10,500 |
| Number & Type Of LED | White-24×10W / Green-24×3W / Blue-24×3W / Red-32×3W |
| LED Power - HICOB Array | Yes |
| Typical LED Life | 50,000+ Hours |
| Warranty | 3 Years |
| User Control Options | Certified MFD Screen Lumi-Link Display 2204i WiFi Control from Smart Phone or Connected Device (via MFD or 2204i Wifi) |
| Electrical Installation | Plug-and-Play Connections |
| Housing Type | Marine Bronze Body with Borosilicate Glass Lens |



EOS Series - Full Color Change

TIX803

INTERCHANGEABLE THRU-HULL UNDERWATER LED LIGHT



| TECHNICAL | |
|-------------------------------------|---|
| Driver | Multi-Channel Internal Driver |
| Supply Voltage Range | 10.5–31 V DC |
| Max Current Draw 12/24V | 8.8 A / 4.4 A |
| Surge Protection | Yes (3,000V) |
| ATRB (Automatic Thermal Roll-Back) | Yes |
| Low Voltage Protection | Automatic Voltage Roll-Back Control And Low Voltage Cut Out |
| Auto Power Control | Yes - Intelligent Multi-Channel Power Management |
| “Soft Start” Electronics Protection | Yes |
| Reverse Polarity Protection | Yes |
| In Rush Current Protection | Yes |
| Power Line Noise Suppression | Yes |
| Communications Protocol | Lumi-DMX (DMX 512 and RDMX Compatible) |
| Electrical Installation | Plug-and-Play Connections |
| Max Vessel Length | 100m (330') |

| PHYSICAL | |
|---|--|
| Beam Angle | 110° |
| Water Ingress Protection Rating | IP68 |
| Light Face Diameter | 120mm (4.72") |
| Profile (Height) Of Housing | 8.5mm (0.34") |
| Shaft Length | 184mm (7.24") |
| Housing Type | Marine Bronze Body with Borosilicate Glass Lens |
| Light Cable Length | 3M (9.8') Standard |
| Hole Cut-Out for Shaft (Hole Cutter Size) | Metric: 86mm Imperial: 3-3/8 " (3.375") |
| Weight | 2.7 Kg (5.95 Lbs) |
| Bonding | Required (Bonding Connection Provided on Light) |
| Isolation Option | Hull Isolation Sleeves Available For Metal Hull Installation |

| LIGHTING SYSTEM FUNCTIONALITY | |
|---|-----|
| Lumi-Link MFD Integration (with Lumi-Link Command Centre) | Yes |
| Zone Control | Yes |
| Scenes | Yes |
| Full Color Spectrum Color Cycle | Yes |
| Preset Colors | Yes |
| Lights Synchronized (All Lights, All Colors, All Modes) | Yes |
| Fixed Strobe (Any Color, Adjustable Speed) | Yes |
| Random Strobe Mode (Any Color) | Yes |
| Customizable Strobe Mode | Yes |
| Color Cycle (Adjustable Speed) | Yes |
| Color Sweep (Adjustable Speed) | Yes |
| Customizable Favorites | Yes |
| Sound-To-Light | Yes |
| Individually Addressable Lights | Yes |
| External DMX/RDMX | Yes |
| Brightness Adjust | Yes |
| Automatic Light Discovery And Setup | Yes |
| Diagnostic Function | Yes |
| Wi-Fi Control | Yes |

| ACCESSORY | PART NUMBER |
|------------------------------|-------------|
| Lumi-Link Command Center | 60-0366 |
| Lumi-Link Display 2204i | 60-0369 |
| DMX Link Cable - 0.2m | 60-0465 |
| DMX Extension Cable - 1m | 60-0403 |
| DMX Extension Cable - 5m | 60-0404 |
| DMX Extension Cable - 15m | 60-0405 |
| TIX 803 Isolation Sleeve Kit | 60-0211 |

LUMI LINK™

PLUG-&-PLAY MFD INTEGRATION

The world's first marine lighting API (Application Programming Interface) allowing plug-&-play integration of Lumishore SUPRA & EOS underwater lighting systems with a single cable to your certified Multi-Function Display (MFD) creating a centralized control platform for the entire vessel reducing helm clutter and simplifying vessel operation. Now available for Garmin OneHelm™ MFDs.