



LUMI-LINK™

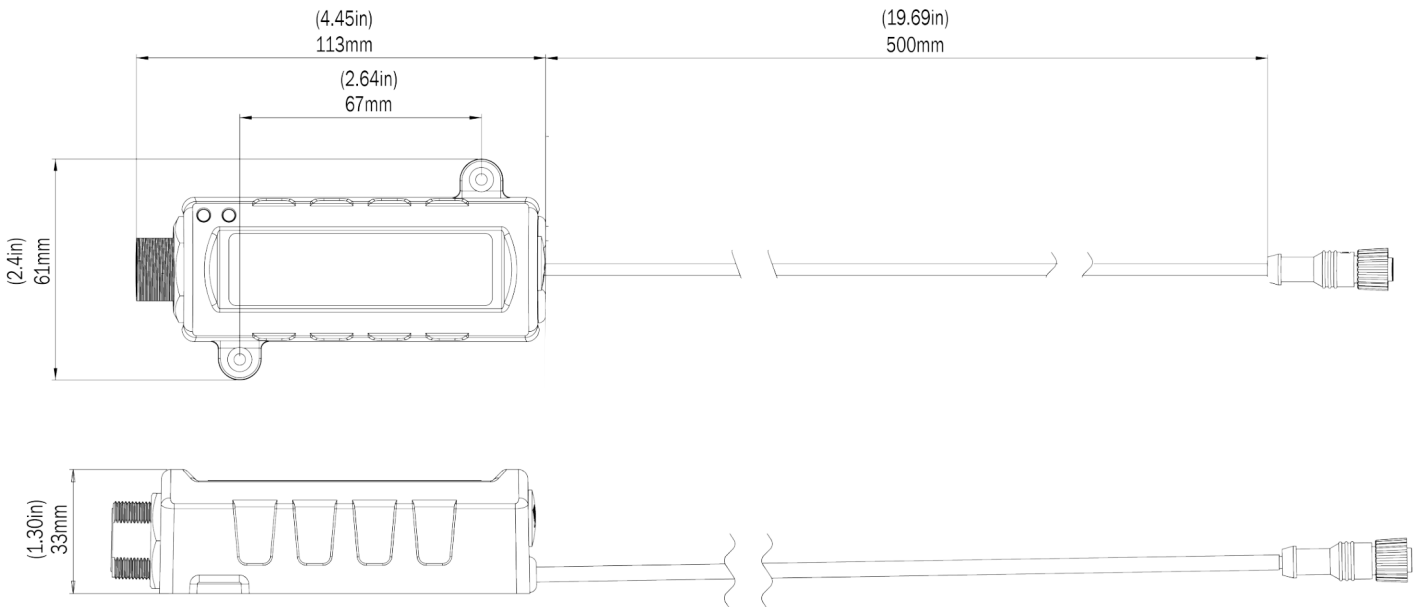
# Lumi-Link™ Supra Bridge

CONTROL YOUR SUPRA LIGHTS VIA MFD OR DISPLAY



PART DESCRIPTION		LUMI-LINK™ COMMAND CENTER	
Part Number	60-0368		
For Use With	All TIX, THX and SMX 53 SUPRA underwater lighting systems*		
Ingress Protection Rating	IP67		
Features	Full control of your SUPRA lights from certified MFD or Lumi-Link Display WiFi Control via Connected device (via MFD WiFi or Local WiFi Network) Specially Designed for Ease of Installation Plug and Play Connections		
Warranty	2 years		
User Control Options	Certified MFD Screen Lumi-Link Display STV 2204i WiFi control from Smart phone or Connected Device (via MFD or local WiFi Network)		

\*Requires a Supra i-Connect hub



# Lumi-Link™ Supra Bridge

CONTROL YOUR SUPRA LIGHTS VIA MFD OR DISPLAY



TECHNICAL	
Supply Voltage Range	10.5 - 31 V DC
Max Current Draw 12/24V	2 A
MFD Compatibility*	-Garmin (OneHelm Enabled) -Raymarine - Axiom (Lighthouse partner App) -Navico - Simrad (NSO EVO3 and EVO2, NSS EVO3 and Go**, B&G (Zeus3 Glass Helm, Zues3 and Vulcan) -Furuno (Models TBA)
Reverse Polarity Protection	Yes
Load Dump Protection	Yes
ISO 8846 (Ignition Protection)	Yes

\*Customers should check compatibility of their MFD prior to purchase  
\*\*Go7 XSR, Go9 and Go12 compatible

PHYSICAL	
Ingress Protection Rating	IP67
Size - Not Including Cable Glands (LxWxH)	113mm x 61mm x 33mm (4.45" x 2.4" x 1.3")
Case Construction	Robust Weatherproof ABS (Flame Retardant and Halogen Free)

ACCESSORIES	
Accessory	Part number
Lumi-Link 2204i Display	60-0369
Lumi-Link Garmin Conversion Cable	60-0372
Lumi-Link Navico Conversion Cable	60-0373
Lumi-Link Supra Bridge Furuno SD Card	60-0431

Single MFD Connection



Lumi-Link Display Connection



Note: Multiple MFDs and Lumi-Link Displays can be used in the same system using a port expander - see installation instruction for further details



The world's first marine lighting API (Application Programming Interface) allowing plug-&-play integration of Lumishore SUPRA & EOS underwater lighting systems with a single cable to your Multi-Function Display (MFD) creating a centralized control platform for the entire vessel reducing helm clutter and simplifying vessel operation.

