

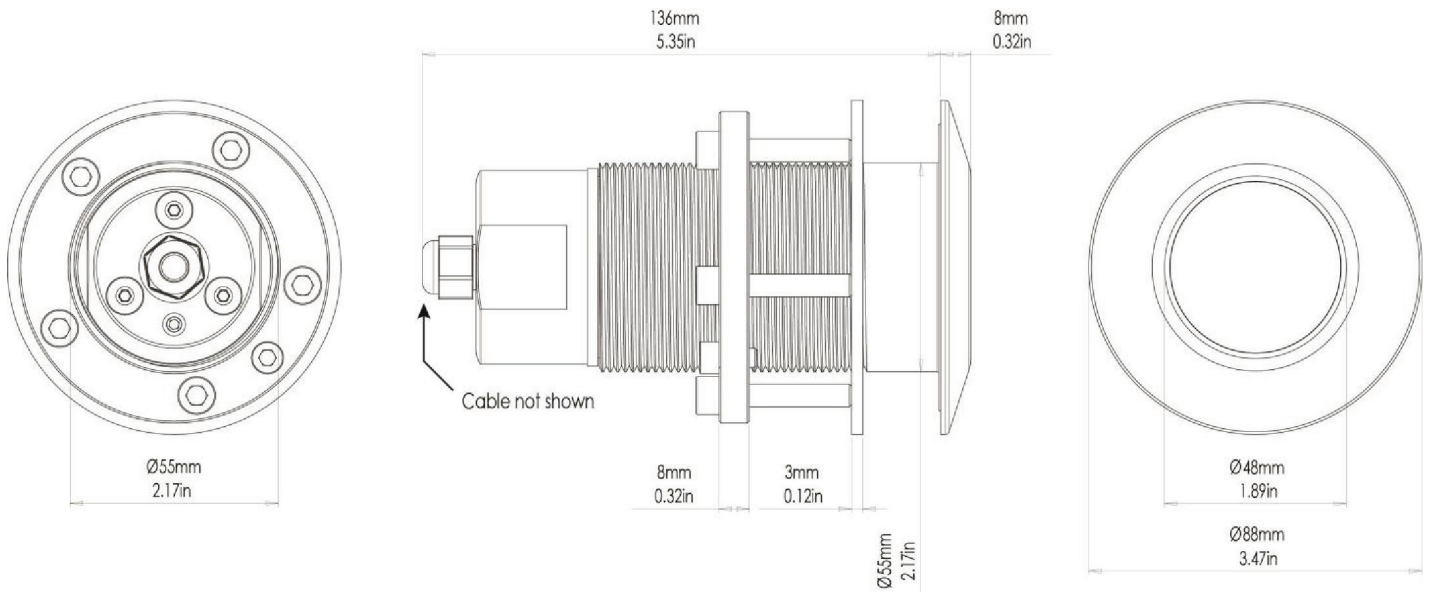


ORA Series - White
TIX404-W

INTERCHANGEABLE THRU-HULL UNDERWATER LED LIGHT



PART DESCRIPTION	ORA TIX404-W INTERCHANGEABLE THRU-HULL UNDERWATER LED LIGHT
Part Number	60-0475
Available Colors	White (6500K)
Lumens	10,125
Fixture Lumens (White)	4,500
Number & Type Of LED	White - 12 x 10W
LED Power - HICOB Array	Yes
Typical LED Life	50,000+ Hours
Warranty	3 Years
Installation	Simple 2 Wire Connection
User Control Options	On / Off Switch



ORA Series - White
TIX404-W

INTERCHANGEABLE THRU-HULL UNDERWATER LED LIGHT



TECHNICAL	
Driver	Internal Driver
Supply Voltage Range	10.5–31 V DC*
Max Current Draw 12/24V	4.0 A / 2.0 A
Surge Protection	Yes (3,000V)
ATRB (Automatic Thermal Roll-Back)	Yes
Low Voltage Protection	Automatic Voltage Roll-Back Control And Low Voltage Cut Out
Auto Power Control	Yes - Intelligent Multi-Channel Power Management
“Soft Start” Electronics Protection	Yes
Reverse Polarity Protection	Yes
In Rush Current Protection	Yes
Power Line Noise Suppression	Yes
Connections	Simple 2 Wire Connection

*AC Options Available – Contact Lumishore for more information

PHYSICAL	
Beam Angle	110°
Water Ingress Protection Rating	IP68
Light Face Diameter	88mm (3.47")
Profile (Height) Of Housing	8mm (0.32")
Shaft Length	136mm (5.35")
Housing Type	Marine Bronze Body with Borosilicate Glass Lens
Light Cable Length	3m (9.8') Standard
Hole Cut-Out for Shaft (Hole Cutter Size)	Metric: 57mm Imperial: 2-1/4 " (2.25")
Weight	1.2 Kg (2.6 Lbs)
Bonding	Required (Bonding Connection Provided on Light)
Isolation Option	Hull Isolation Sleeves Available For Metal Hull Installation