

MAKO M24 / M24 CC | THRU-HULL INTERCHANGEABLE

Signature
 SERIES



The all new MAKO M24 and M24 interchangeable Colour Changing underwater light offers unrivaled performance producing 8600 fixture lumens, almost unlimited mounting options thanks to the ultra low profile bezel and compact body design.

Thru Hull mounting provides an exceptionally safe and secure fixing with the added benefit of a removable LED cartridge that can be serviced or upgraded from inside the hull eliminating the need to haul the boat.

Almost unlimited Colour options which can be strobed, dimmed or sequenced allowing you to pick the best colour to compliment your environment, suit your mood or create a custom party theme with our light to sound function.

Reverse polarity protection with active thermal rollback.

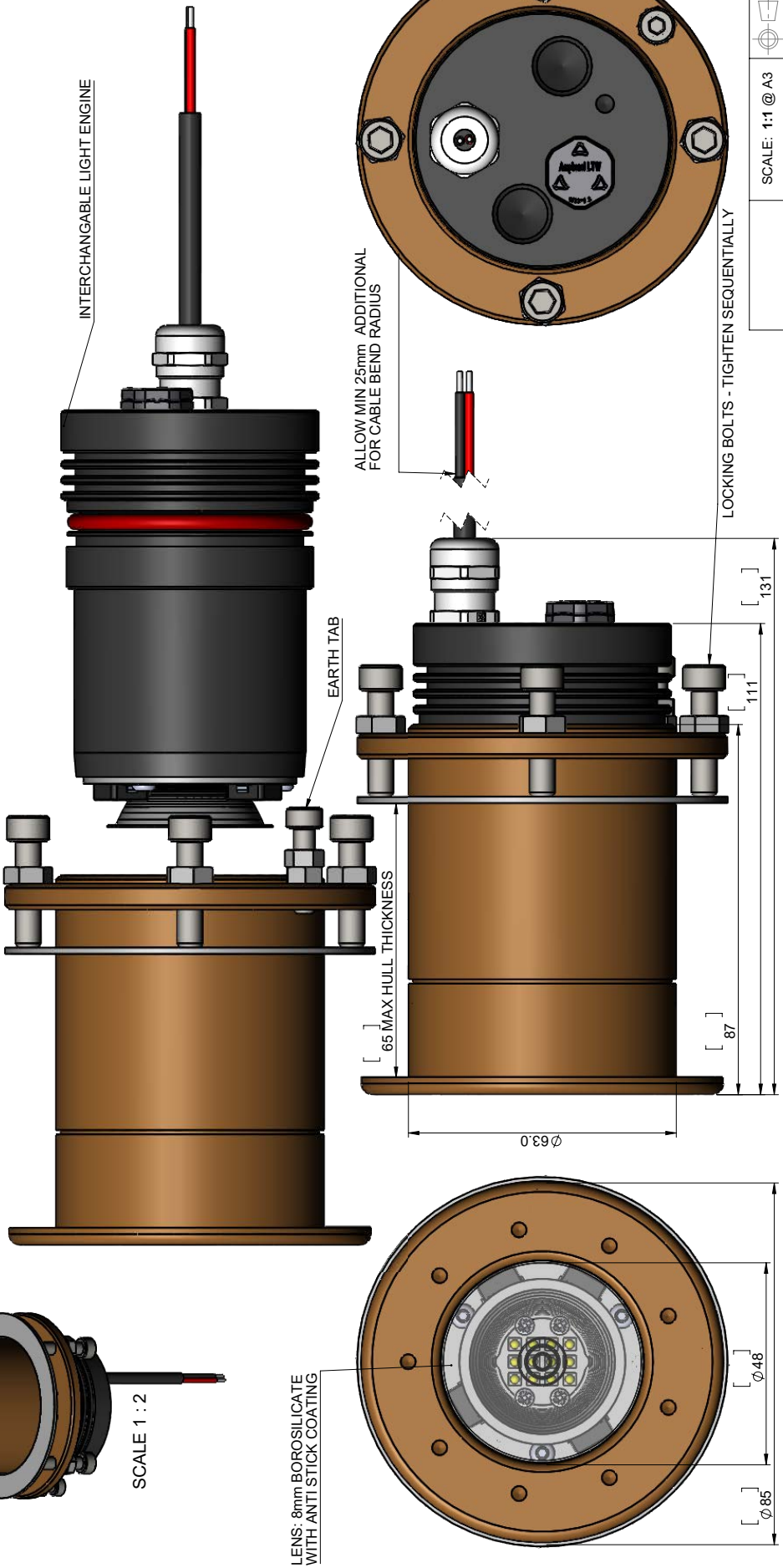
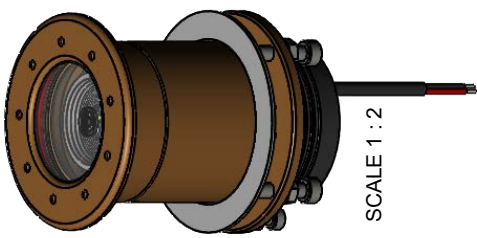
Suitable for transom, side and under hull mounting on all types of hull.

- RINA Type approval
- 2-Year Warranty

SPECIFICATION	MAKO M24 / M24 CC COLOUR CHANGE
Mounting Type	Thru-Hull Interchangeable
Hole cut out size	63mm
Maximum Lamp Lumens	21500
Fixture Lumens	8600
Max Wattage	65 watts
Typical Life Expectancy	50,000 hours
Voltage	12 / 24v Multi-voltage
Power Draw	5.1 Amps @ 12v / 2.6 Amps @ 24v
Protection	Over / Under Voltage, Over Current, Reverse Polarity protection, Thermal protection.
Fixture Profile	4mm
Fixture Diameter	85mm
Lens Type	Optical grade 8mm Borosilicate glass with Guard X coating
Fixture Material	AB2 Bronze with aluminium light engine cartridge
Beam Angle	60 Degree
Warranty	2 year
Type Approval	RINA IEC 60529
Available Colours	Diamond White 6500k Cobalt Blue RGBW Colour change
Features	Endless colours, cycling, strobe, dimmer or sound to light
Suitable Use	Below the water-line only
Spacing	1.2 - 2mtr
Driver Type	External IP67 Plug and play remote box with DMX/WIFI control Must purchase the WIFI/DMX Controller for functions
Total weight	2.5 kg
Attached cable length	2 mtr Plug & play
Included in box	WIFI /DMX Driver box IP67, In-line fuse holder & rated fuse, Inline Crimps, Heat shrink, Template and installation instructions
ACCESSORIES	(OPTIONAL)
Junction Box	4 Way IP68 Wiring Junction Box
Delrin Sleeve	Isolating kit for steel, aluminium and carbon fibre hulls
220/110v Power Supply	Power supply 24v
WIFI/DMX Controller	DMX controller with built in WIFI and phone/tablet app download
I.Y.S Lighting Control	Control via MFD screen or mobile device



	A	B	C	D	E	F	G	H	I	J	K	
1	SPECIFICATION											
	M12						M24CC					
	7100						8600					
	70						65					
	5 Amps @ 12V						5 Amps @ 12V					
	2.6 Amps @ 24V						2.6 Amps @ 24V					
	12						24					
	60 DEG FWHM						60 DEG FWHM					
	85mm Ø 3.3"						85mm Ø 3.3"					
	40mm Ø 1.6"						40mm Ø 1.6"					
	130mm 5.15"						130mm 5.15"					
	N/A						N/A					
	63mm 2.48"						63mm 2.48"					
	48mm 1.89"						48mm 1.89"					
	2.5kg						2.5kg					
8mm BOROSILICATE WITH ANTI-STICK COATING						8mm BOROSILICATE WITH ANTI-STICK COATING						
150mm 5.91"						150mm 5.91"						
2												
SPACE REQD FOR LIGHT ENGINE REMOVAL												



8		DESCRIPTION: MAKO M12 / M24CC / M24HI THRU HULL	
MATERIAL: MARINE AB2 BRONZE & GLASS LENS, ALUMINIUM INSERT		SCALE: 1:1 @ A3	
FINISH: SEE PART DRAWINGS		THIRD ANGLE PROJECTION	
DRAWING NO: GAB-0117 Iss A00C		ISSUE/ REV: STATUS: A00 C	

Bluefin LED
Underwater Lighting

Bluefin LED is a registered trademark of Bluefin LED. All rights reserved. No part of this drawing is to be reproduced, stored in a retrieval system, or transmitted in any form or by any means, electronic, mechanical, photocopying, recording, or by any information storage and retrieval system, without the prior written permission of Bluefin LED. No deviation from this drawing is permitted without written authorization from Bluefin LED.