

CRUISE Marine Freezers

Perfect complement to the CRUISE Marine refrigerators



isotherm

Some configuration options

Door panel can be selected according to customer needs.

Different side frames solutions available: 3 to 4 side frames for a complete flush integration for stainless steel versions.

Available in complete stainless steel design (doors and handles).

Different cooling systems: ventilated as standard, water-cooled with a self pumping kit (patented) and water cooled through a sea water pump for tropical conditions.

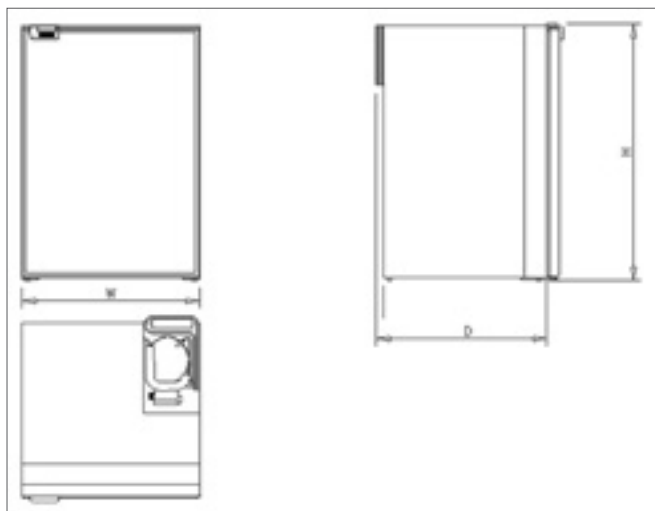
Universal AC/DC kit optional: allows sufficient power supply all over the world.

- Extra thick insulation for excellent cooling performance and low power consumption
- 12/24 V Danfoss/Secop compressor (AC/DC kit optional)
- Door with a safety lock and magnetic rubber seal

Technical Specifications

Type	Volume (l)	Dimensions H x W x D (mm)	Weight (kg)	Power consumption* (W/24 hours)	Danfoss / Secop compressor type	Freezer compartment specifics (°C)
CR 63 F	63	620 x 477 x 515*	22	440	BD35F	63 (-18)
CR 63 F INOX	63	620 x 495 x 555	23	440	BD35F	63 (-18)
CR 65 F	65	610 x 527 x 540*	22	440	BD35F	65 (-18)
CR 65 F INOX	65	610 x 545 x 580	23	440	BD35F	65 (-18)
CR 90 F	90	746 x 527 x 520*	28	550	BD35F	90 (-18)
CR 90 F INOX	90	743 x 545 x 555	29	550	BD35F	90 (-18)

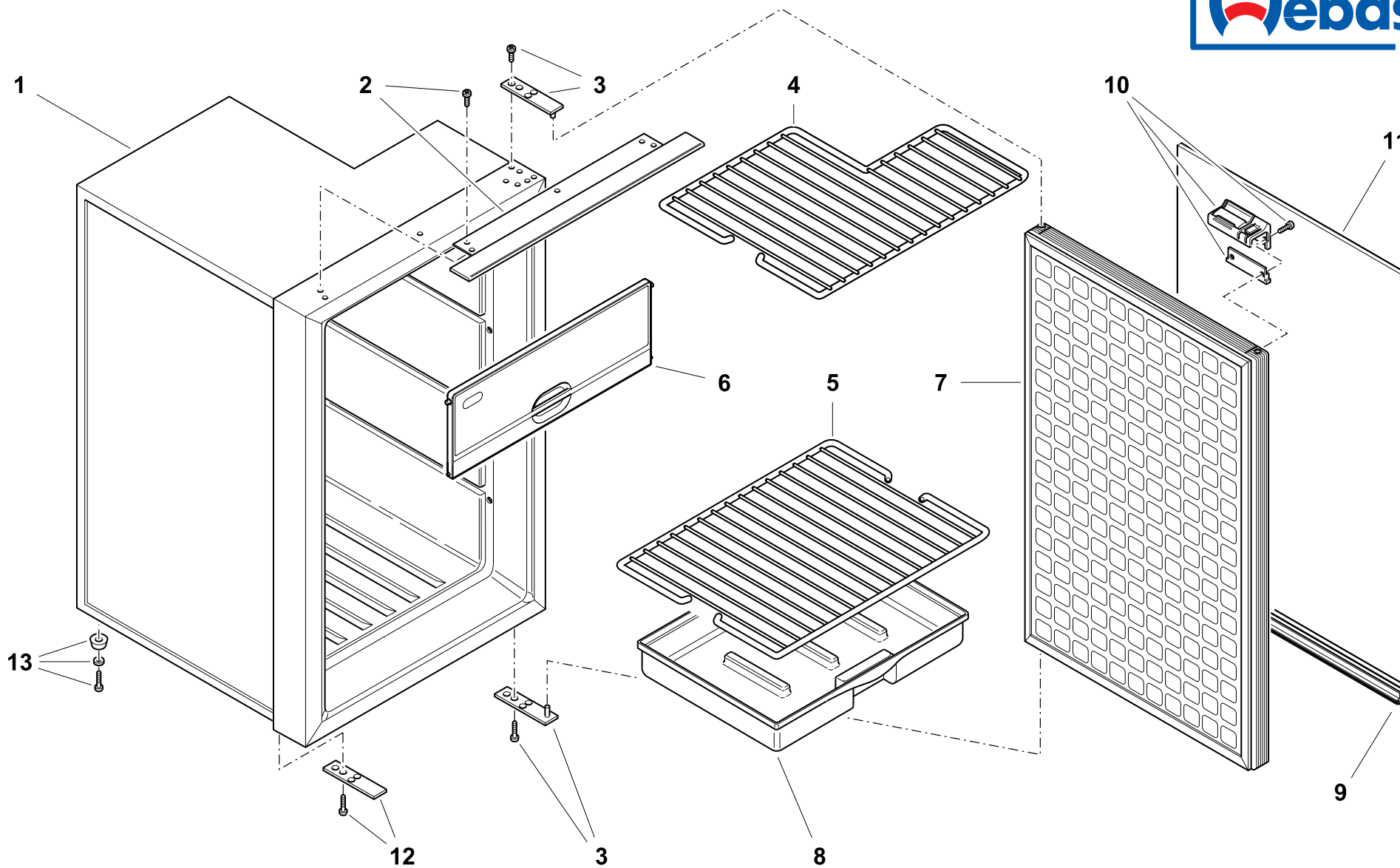
* Door not included (= 40 mm)

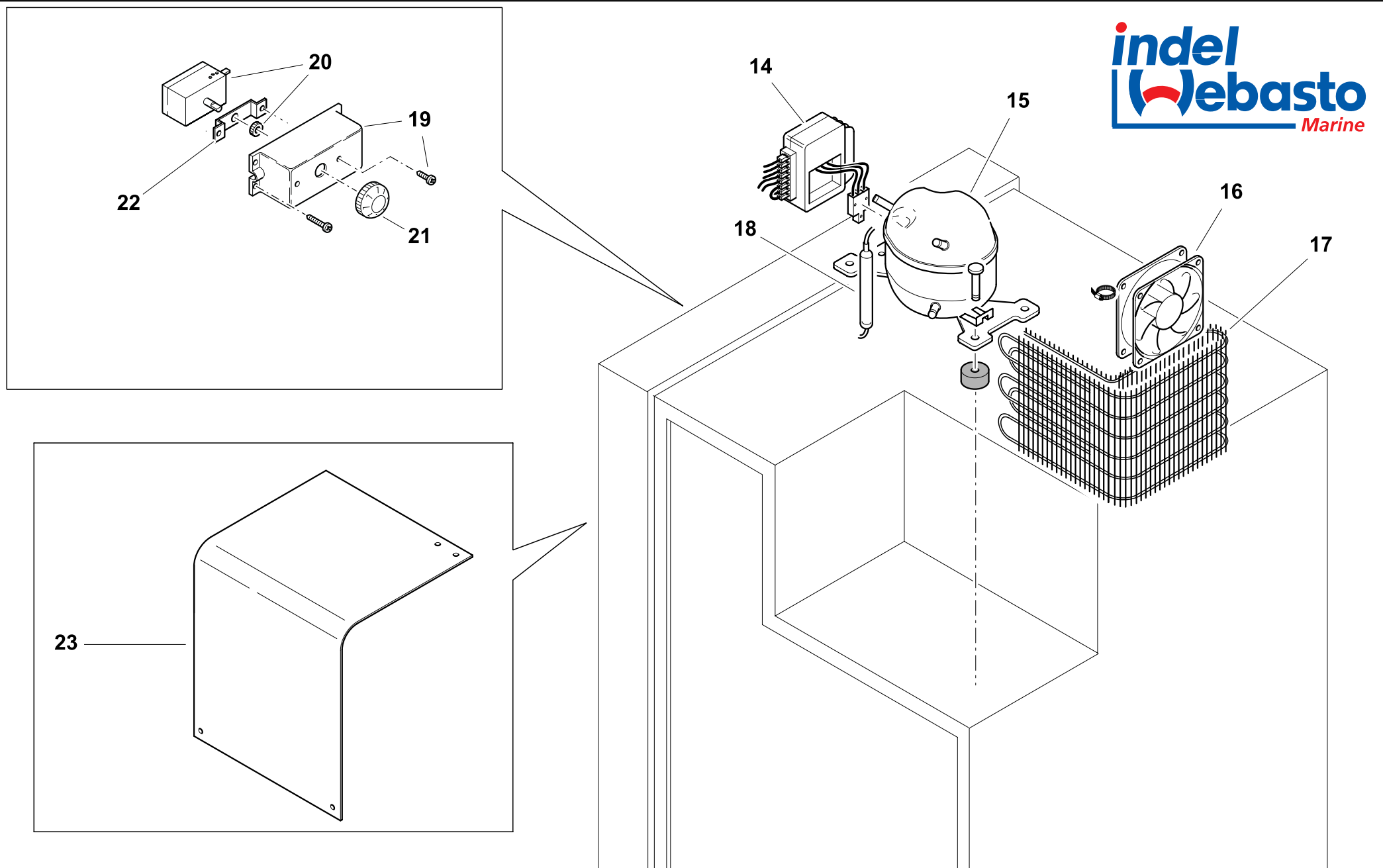


Excellent solution for a side by side fridge-freezer application

- Side by side installation of the CR 130 fridge and the CR 90 freezer with the same outside dimensions (possible also with CR 63 freezer and CR 85 fridge).







CR 90 FREEZER - COOLING UNIT

NUMERO NUMBER	CODICE ARTICOLO ITEM CODE	DESCRIZIONE ARTICOLO ITEM DESCRIPTION
1		
2	SGB00044AA	SUPPORTO PERNO PORTA CR130 CON NUOVO INCERNIERAMENTO TOP FOR CR130
3	SBE00054AA	CERNIERA CRUISE DOOR SUPPORT
4	SGC00086AA	GRIGLIA INT. SUP. CR90 FREEZER INTERNAL SHELF SUP. CR90 FREEZER
5	SGC00087AA	GRIGLIA INT. INF. CR90 FREEZER INTERNAL SHELF INF. CR90 FREEZER
6	SGC00029AA	PORTINA EVAPORATORE CR80/100/120/90FR 395x147mm EVAPORATOR DOOR CR80/100/120/90FR
7	SGC00099AA	PORTA COMPLETA CR90 FREEZER DOOR FOR CR90 FREEZER
8		
9	SGC00063AA	PROFILO FISS. PANNELLO CR120/130 PROFILE FOR FIXING PANEL CR120/130
10	SGD00008AA	KIT MANIGLIA CRUISE F005 DOOR KIT HANDLE CRUISE
11	SGA00059AA	PANNELLO PORTA CR130 MASONITE GRIGIO 504x716x2,2mm DOOR PANEL CR130 MASONITE GREY 504x716X2.2mm
12		
13		
14	SEG00002DA	CENTRALINA DANFOSS BD35/50F 12/24V ELECTRICAL UNIT DANF. 101N0210 BD35/50F 12/24V
14	SEG00030GA	CENTRALINA DANFOSS BD35/50F AC/DC 12/24V DC 110/220V AC ELECT. UNIT DANFOSS BD35F/50FAC/DC 12/24V-115/230V
15	SBA00002DA	COMPRESSORE DANFOSS BD35F DANFOSS COMPRESSOR BD35F 12/24V NO ELECTRICAL UNIT
16	SBD00028AA	CONDENSATORE A FILO AIR CONDENSER PIN TYPE WITH BRACKET
17	SBG00005BA	VENTOLA CABLATA 12V LOW SPEED FAN 12V LOW SPEED FOR COMPACT AND CRUISE
18	SBD00073AA	FILTRO 10g PER CR FILTER 10Gr FOR R134a B041 TUBE 6+2mm (CRUISE/DANFOSS)
19		
20		
21		
22		
23	SBF00085AA	EVAPORATORE CR90 FREEZER EVAPORATOR CR90 FREEZER