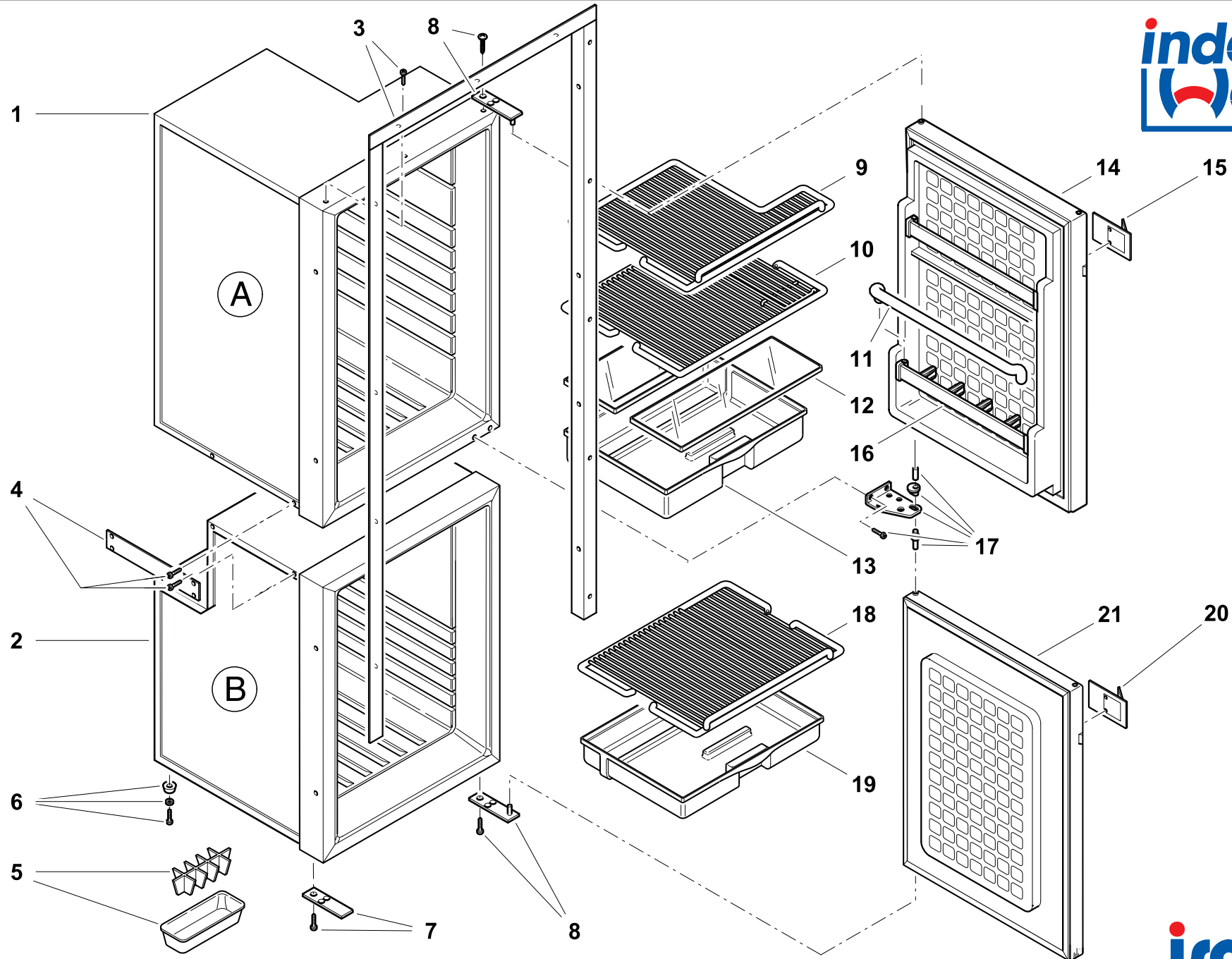
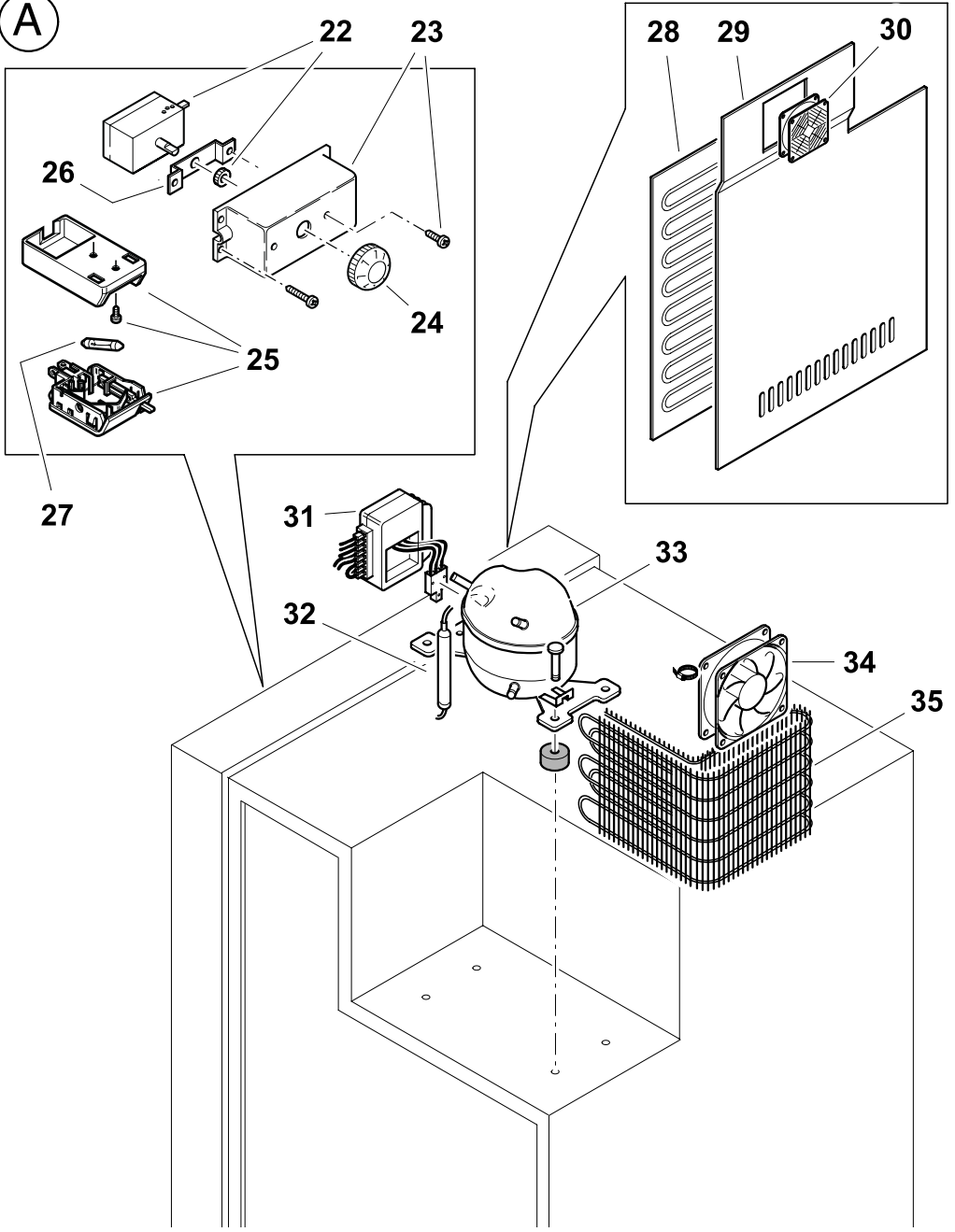


NUMERO NUMBER	CODICE ARTICOLO ITEM CODE	DESCRIZIONE ARTICOLO ITEM DESCRIPTION
1		
2	SAA00048AA	GHIACCIAIA CR65 FREEZER CABINET CR65 FREEZER
3	SGB00059AA	FLANGIA FM 3-LATI CR195 INOX PER FRIGO INOX 3-SIDE FLUSH MOUNTING FRAME FOR CR195 INOX
4		
5	SGC00022AA	CUBETTIERA ICE CUBE
6	SDF00010AA	PIEDINI CRUISE RUBBER FOOT CRUISE/TB26
7	SGB00036AA	SOSTEGNO INOX CONTROPORTA CR42/50/65/80/120L INOX SUPPORT FOR CRUISE DOOR CR42/50/65/80/120L
8	SBE00065AA	CERNIERA SUPERIORE E INFERIORE PORTA CR130 UPPER DOOR HINGE
9		
10	SGC00038AA	GRIGLIA INTERNA CR130/CR195 INTERNAL SHELF FOR CR130/CR195
11	SGC00125AA	FILONCINO PER BALCONCINO PORTA METAL RETAINER CR130
12	SGC00047AB	RIPIANO IN VETRO GLASS SHELF CR130 SET 2pz
13	SGC00068AA	CASSETTO PORTAVERDURE CR130 VEGETABLE BIN CR130
14	SGC00113AA	PORTA INOX CR130 SX COMPLETA INOX DOOR CR130 LEFT HINGE
14	SGC00130AA	PORTA INOX CR130 INOX DOOR CR130
15	SGD00012AA	MANIGLIA INOX "CRUISE INOX" INOX HANDLE/LOCKER FOR "CRUISE INOX"
16		
17		
18	SGC00009AA	GRIGLIA INTERNA CR65/CR65 FREEZER INTERNAL SHELF CR65/CR65 FREEZER
19	SGC00155AA	CASSETTO CR65 FREEZER DRAWER BIN CR65 FREEZER
20	SGD00012AA	MANIGLIA INOX "CRUISE INOX" INOX HANDLE/LOCKER FOR "CRUISE INOX"
21	SGC00114AA	PORTA INOX CR65 SX FREEZER INOX DOOR CR65 FREEZER LEFT HINGE
21	SGC00141AA	PORTA INOX CR65 DX FREEZER INOX DOOR CR65 FREEZER RIGHT HINGE
22		
23	SEA00012AA	SCATOLA PVC BIANCA TERMOSTATO FREEZER WHITE THERMOSTATE HOUSE FOR FREEZER THERMOSTAT
24		
25	SEC00003DA	PLAFONIERA LUCE INTERNA COMPLETA INTERNAL LIGHT KIT 12-24V
26	SEA00021AA	STAFFA FISSAGGIO TERMOSTATO THERMOSTAT PROBE ALUMINIUM FIXING BRACKET
27	SEC00007BA	LAMPADINA LUCE INTERNA 12V LIGHT BULB 12V-3W
27	SEC00005CA	LAMPADINA LUCE INTERNA 24V LIGHT BULB 24V-3W
28		
29		
30	SBG00016BA	VENTOLA 12V 92x92 CR130 DRINK INNER FAN 12V CR130 DRINK
31	SEG00002DA	CENTRALINA DANFOSS BD35/50F 12/24V ELECTRICAL UNIT DANF. 101N0210 BD35/50F 12/24V
31	SEG00030GA	CENTRALINA DANFOSS BD35/50F AC/DC 12/24V DC 110/220V AC ELECT. UNIT DANFOSS BD35F/50FAC/DC 12/24V-115/230V
32	SBD00073AA	FILTRO 10g PER CR FILTER 10Gr FOR R134a B041 TUBE 6+2mm (CRUISE/DANFOSS)
33	SBA00002DA	COMPRESSORE DANFOSS BD35F DANFOSS COMPRESSOR BD35F 12/24V NO ELECTRICAL UNIT
34	SBG00005BA	VENTOLA CABLATA 12V LOW SPEED FAN 12V LOW SPEED FOR COMPACT AND CRUISE
35	SBD00028AA	CONDENSATORE A FILO AIR CONDENSER PIN TYPE WITH BRACKET
36		
37		
38	SEA00021AA	STAFFA FISSAGGIO TERMOSTATO THERMOSTAT PROBE ALUMINIUM FIXING BRACKET
39	SEA00012AA	SCATOLA PVC BIANCA TERMOSTATO FREEZER WHITE THERMOSTATE HOUSE FOR FREEZER THERMOSTAT
40		
41	SEG00002DA	CENTRALINA DANFOSS BD35/50F 12/24V ELECTRICAL UNIT DANF. 101N0210 BD35/50F 12/24V
41	SEG00030GA	CENTRALINA DANFOSS BD35/50F AC/DC 12/24V DC 110/220V AC ELECT. UNIT DANFOSS BD35F/50FAC/DC 12/24V-115/230V
42	SBD00073AA	FILTRO 10g PER CR FILTER 10Gr FOR R134a B041 TUBE 6+2mm (CRUISE/DANFOSS)
43	SBA00002DA	COMPRESSORE DANFOSS BD35F DANFOSS COMPRESSOR BD35F 12/24V NO ELECTRICAL UNIT
44	SBG00005BA	VENTOLA CABLATA 12V LOW SPEED FAN 12V LOW SPEED FOR COMPACT AND CRUISE
45	SBD00028AA	CONDENSATORE A FILO AIR CONDENSER PIN TYPE WITH BRACKET

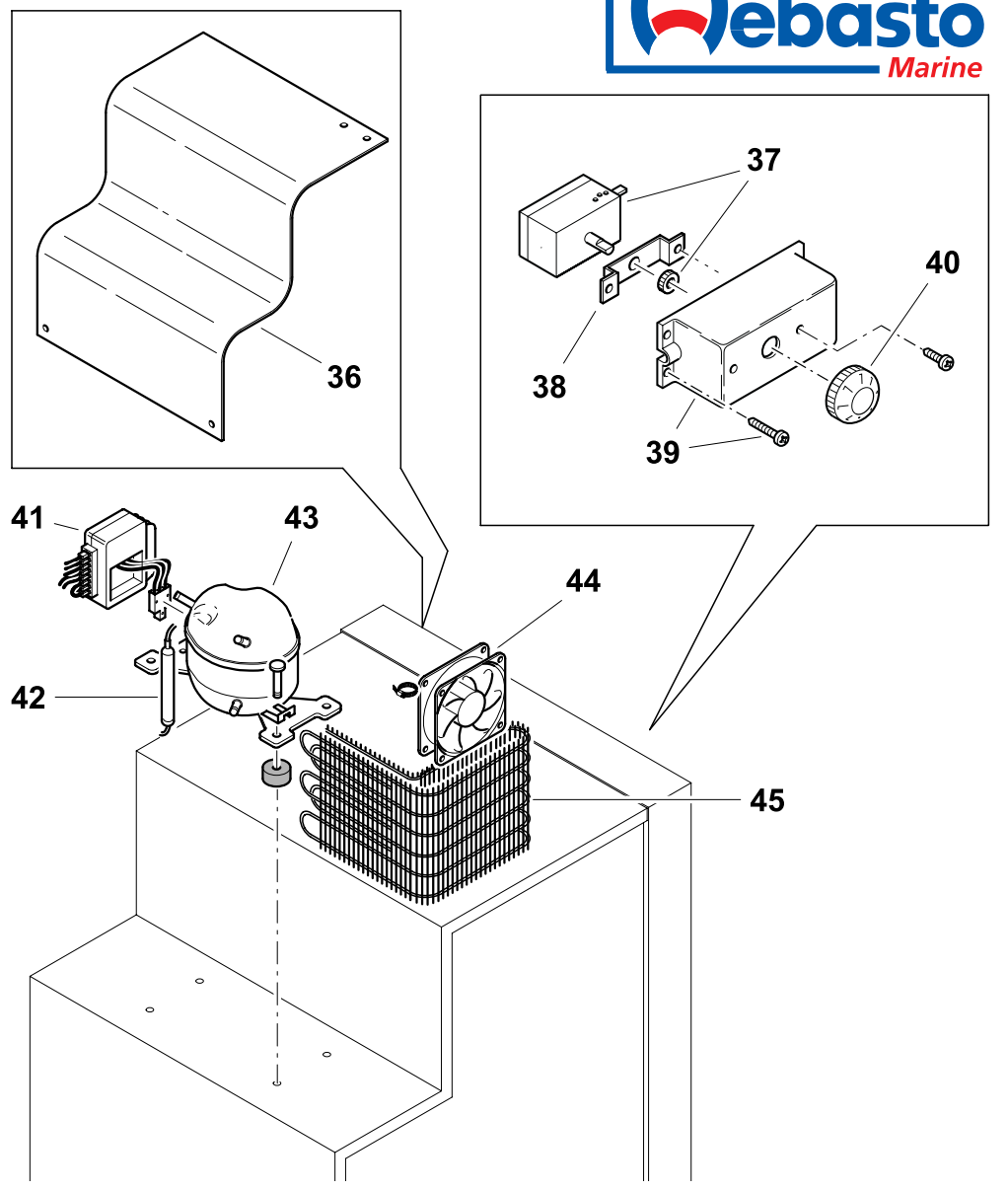


CR 195 INOX - CABINET

A



B



CR 195 INOX - COOLING UNIT

