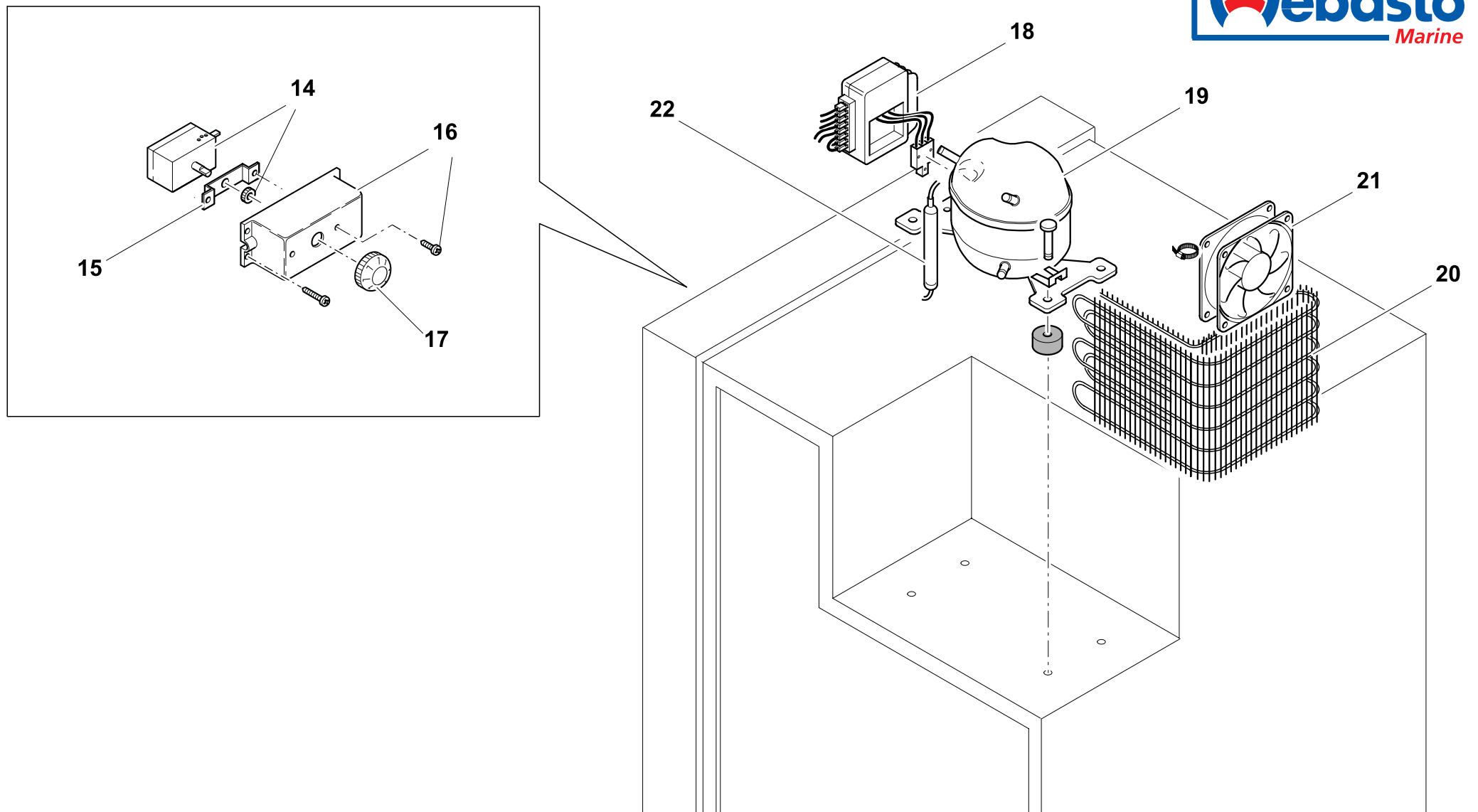


<b>NUMERO</b>	<b>CODICE ARTICOLO</b>	<b>DESCRIZIONE ARTICOLO</b>
<b>NUMBER</b>	<b>ITEM CODE</b>	<b>ITEM DESCRIPTION</b>

1		
2	<b>SBE00021AA</b>	CERNIERA INOX CR42/50/65/80/120L F006 HINGE INOX FOR CR42-50-65-80-120L F006
3		
4		
5		
6		
7	<b>SGD00012AA</b>	MANIGLIA INOX "CRUISE INOX". INOX HANDLE/LOCKER FOR "CRUISE INOX"
8	<b>SGC00181AA</b>	PORTA INOX CR63 FREEZER INOX DOOR CR63 FREEZER
9		
10		
11	<b>SDF00010AA</b>	PIEDINI CRUISE RUBBER FOOT CRUISE/TB26 E073
12	<b>SGC00022AA</b>	CUBETTIERA D021 ICE CUBE D021
13	<b>SGB00036AA</b>	SOSTEGNO INOX CONTROPORTA CR42/50/65/80/120L INOX SUPPORT FOR CRUISE DOOR CR42/50/65/80/120L
14		
15	<b>SEA00021AA</b>	STAFFA FISSAGGIO TERMOSTATO THERMOSTAT PROBE ALUMINIUM FIXING BRACKET C009
16	<b>SEA00012AA</b>	SCATOLA PVC BIANCA TERMOSTATO FREEZER WHITE THERMOSTATE HOUSE FOR FREEZER THERMOSTAT
17		
18	<b>SEG00002DA</b>	CENTRALINA DANFOSS BD35/50F 12/24V ELECTRICAL UNIT DANF. 101N0210 BD35/50F 12/24V TP39310
18	<b>SEG00030GA</b>	CENTRALINA DANFOSS BD35/50F AC/DC 12/24V DC 110/220V AC ELECT. UNIT DANFOSS BD35F/50FAC/DC 12/24V-115/230V
19	<b>SBA00002DA</b>	COMPRESSORE DANFOSS BD35F DANFOSS COMPRESSOR BD35F 12/24V NO ELECTRICAL UNIT TP39301
20	<b>SBD00028AA</b>	CONDENSATORE A FILO AIR CONDENSER PIN TYPE WITH BRACKET (G251+G267) TP29014
21	<b>SBG00005BA</b>	VENTOLA CABLATA 12V LOW SPEED FAN 12V LOW SPEED FOR COMPACT AND CRUISE TP39236
22	<b>SBD00073AA</b>	FILTRO 10g PER CR FILTER 10Gr FOR R134a B041 TUBE 6+2mm (CRUISE/DANFOSS)



**CR 63 FREEZER INOX - COOLING UNIT**

