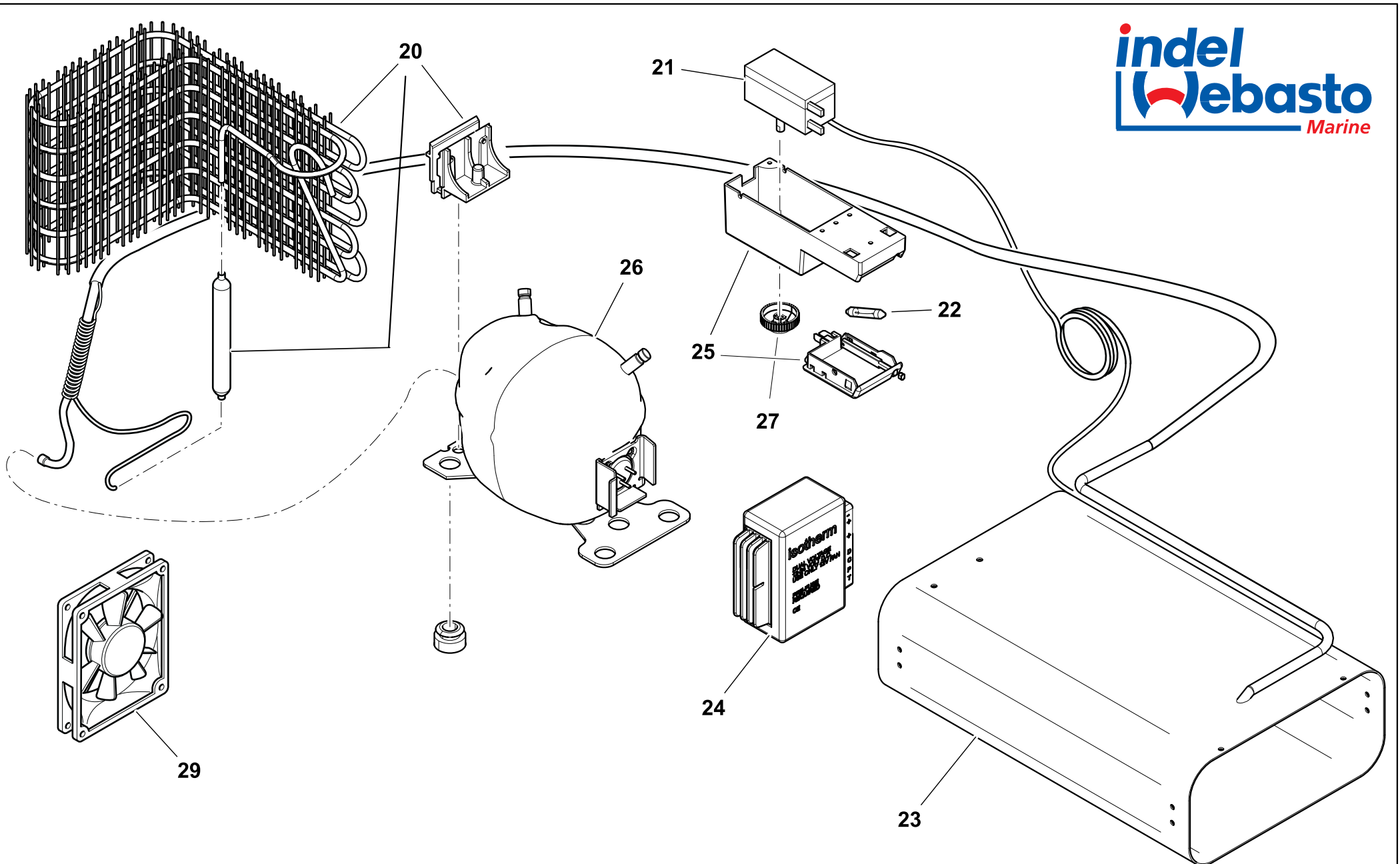


**CR 85 CLEAN TOUCH - CABINET**



**CR 8 5 CLEAN TOUCH - COOLING UNIT**

## RICAMBI CR85 CLEAN TOUCH SPARE PARTS CR85 CLEAN TOUCH

NUMERO NUMBER	COD. ARTICOLO ITEM CODE	DESCRIZIONE ARTICOLO ITEM DESCRIPTION
1	SDF00086AB	GOMMINO ANTIURTO PER FLANGIA INOX CONFEZIONE 6PZ RUBBER BUMPER FOR INOX FRAME 6PCS
2	SBE00194AB	CERNIERA SUPERIORE CR ELEGANCE UPPER HINGE CR ELEGANCE
3	SGC00302AA	COPERTURA EVAPORATORE PLASTICA BIANCA CR85/CR130 C. PLASTIC COVER FOR EVAPORATOR CR85/CR130 C.
4	SGC00291AA	GRIGLIA PICCOLA SUPERIORE CR85 C. SMALL UPPER SHELF CR85 C.
5	SGC00292AA	SGOCCIOLATOIO EVAPORATORE CR85/CR130 C. DRIP TRAY FOR CR85/CR130 C.
6	SGC00034AA	GRIGLIA INTERNA CR85 SHELF CR85
7	SBE00196AA	STAFFA SOSTEGNO PORTA PLASTICA NERA CR ELEGANCE SUPPORT BRACKET DOOR CR ELEGANCE
8	SGC00071AA	FILONCINO METALLO PER BALCONCINO CR85 METAL RETAINER CR85
9	SGC00293AA	BALCONCINO CONTROPORTA PLASTICA CON FERMI CR85 C. PLASTIC RETAINER WITH SHELTER CR85 C.
10	SGC00450AA	PORTA INOX CLEAN TOUCH COMPLETA DI ACCESSORI PER CR85 COMPLETE INOX CLEAN-TOUCH DOOR FOR CR85
11	SGC00294AA	PORTINA EVAPORATORE CRUISE CR49/CR65/CR85/CR130 C. & ELEGANCE EVAPORATOR DOOR CRUISE CR49/CR65/CR85/CR130 C. EL.
13	SGD00043AA	KIT MANIGLIA BRIGHT SILVER COMPLETA DI MOLLE E PERNI PER CR49/65/85/130 ELEGANCE HANDLE BRIGHT SILVER COMPLETE KIT WITH SPRINGS AND PIVOT CR49/65/85/130 ELEGANCE
15	SBE00195AB	CERNIERA INFERIORE CR ELEGANCE LOWER HINGE CR ELEGANCE
17	SBE00211AA	STAFFA AGGANCIO TOP INOX CR ELEGANCE INOX SUPPORT BRACKET FOR TOP CR ELEGANCE
19	SGB00192AA	FLANGIA 3 LATI FLUSH MOUNTING INOX CR42/CR49 CLEAN TOUCH FRAME 3-SIDE FLUSH MOUNTING INOX CR42/CR49 CLEAN TOUCH
20	SBD00122AA	KIT CONDENSATORE PER CRUISE C. CONDENSATOR KIT FOR CRUISE C.
21	SEA00092DA	TERMOSTATO CRUISE 49/65/85/130 C. THERMOSTAT CRUISE 49/65/85/130 C.
22	SEC00038DA	LAMPADINA LED CR49/65/85/130 ELEGANCE LED LAMP CR49/64/85/130 ELEGANCE
23	SBF00105AA	EVAPORATORE CR85/130 C. EVAPORATOR FOR CR85/130 C.
24	SEG00002DA	CENTRALINA DANFOSS 101N0210 BD35/50F 12/24V ELECTRICAL UNIT DANF. 101N0210 BD35/50F 12/24V
24	SEG00030GA	CENTRALINA DANFOSS B35F/BD50F AC/DC 12/24V-115/230V ELECT. UNIT DANFOSS BD35F/50FAC/DC 12/24V-115/230V
25	SEC00004DA	PLAFONIERA COMPLETA 12/24V C. INTERNAL LIGHT KIT 12-24V C.
26	SBA00002DA	COMPRESSORE BD35F SENZA CENTRALINA DANFOSS COMPRESSOR BD35F 12/24V NO ELECTRICAL UNIT
27	SEA00093AA	MANOPOLA TERMOSTATO CRUISE 49/65/85/130 C. THERMOSTAT KNOB CRUISE 49/65/85/130 C.
28	SGC00022AA	CUBETTIERA CRUISE ICE CUBE CRUISE
29	SBG00005BA	VENTOLA CABLATA 12V LOW SPEED FAN 12V LOW SPEED FOR COMPACT AND CRUISE

NUMMER	ARTIKELNUMMER	ARTIKEL BESCHREIBUNG
NUMERO	REF. ARTICLE	DESCRIPTION ARTICLE
1	SDF00086AB	BUMPER GUMMI FÜR INOX RAHMEN 6 STÜCK PROTECTION CAOUTCHOUC CADRE INOX 6 PCES
2	SBE00194AB	OBERE SCHARNIERE CHARNIERE SUPERIEURE CR ELEGANCE
3	SGC00302AA	KUNSTSTOFFABDECKUNG FÜR VERDAMPFER CR85/CR130 ELEGANCE PROTECTION PLASTIQUE EVAPORATEUR CR85/CR130 ELEGANCE
4	SGC00291AA	KLEINES, OBERE GITTER CR85 C PETITE CLAYETTE SUPERIEURE CR85 C.
5	SGC00292AA	AUFANGSCHALE FÜR GEFRIERFACH CR85/CR130 C. BAC DE RECUPERATION POUR CR85/CR130 CHINE
6	SGC00034AA	EINLEGE GITTER CRUISE 85 C. CLAYETTE INTERIEURE CR85 C.
7	SBE00196AA	HALTERUNG FÜR TÜR CR ELEGANCE SUPPORT INFERIEUR PORTE CR ELEGANCE
8	SGC00071AA	GROSSER METALLHALTER CR85 C. BARRE METAL PORTE BOUTEILLES BAS CR85 C.
9	SGC00293AA	KUNSTSTOFFHALTERUNG MIT SCHUTZ CR85 C BARRE DE RETENUE PLASTIQUE PORTE BOUTEILLE BAS CR85 C.
10	SGC00450AA	KOMPLETTE TÜR CR85 CLEAN TOUCH PORTE COMPLETE CR85 CLEAN TOUCH
11	SGC00294AA	KLAPPE VOM GEFRIERFACH CR49/65/85/130 C. EL. PORTE EVAPORATEUR CRUISE CR49/CR65/CR85/CR130 C. EL
13	SGD00043AA	HEBELPANEL HELL SILBER KOMPLETER SATZ mit FEDER U. DREHPUNKT CR49/65/85/130 ELEGANCE KIT COMPLET POIGNEE PORTE CR49/65/85/130 ELEGANCE
15	SBE00195AB	UNTERE SCHARNIERE CR ELEGANCE CHARNIERE INFERIEURE CR ELEGANCE
17	SBE00211AA	EDELSTAHL HALTEBÜGEL FÜR TOP CR ELEGANCE SUPPORT INOX TOP CR ELEGANCE
19	SGB00192AA	3 SEITIGE RAHMEN FLUSH MOUNTING INOX CR42/CR49 CLEAN TOUCH CADRE D'ENCASTREMENT 3COTES FLUSH MOUNTING CR42/CR49 CLEAN TOUCH
20	SBD00122AA	KIT KONDENSATOR FÜR CR65 C KIT CONDENSEUR CRUISE C.
21	SEA00092DA	THERMOSTAT CRUISE 49/65/85/130 C. THERMOSTAT CRUISE 49/65/85/130 C.
22	SEC00038DA	LED LEUCHTMITTEL CR49/64/85/130 ELEGANCE AMPOULE LED CR49/64/85/130 ELEGANCE
23	SBF00105AA	VERDAMPFER CR85/CR130 ELEGANCE EVAPORATEUR CR85/CR130 ELEGANCE
24	SEG00002DA	STEUERGERÄT SECOP 101N0210 BD35/50F 12/24V BOITIER ELECTRONIQUE SECOP 101N0210 BD35/50F 12/24V
24	SEG00030GA	STEUERGERÄT SECOP BD35F/50FAC/DC 12/24V-115/230V BOITIER ELECTRONIQUE SECOP BD35F/50FAC/DC 12/24V-115/230V
25	SEC00004DA	KIT INTERNES LICHT 12-24V C. KIT BOITIER ECLAIRAGE 12-24V
26	SBA00002DA	SECOP KOMPRESSOR BD35F 12/24V OHNE STEUERGERÄT COMPRESSEUR SECOP BD35F 12/24V SANS BOITIER ELECTRONIQUE
27	SEA00093AA	THERMOSTAT KNOPF CRUISE 49/65/85/130 C. BOUTON THERMOSTAT CRUISE 49/65/85/130 C.
28	SGC00022AA	EISWÜRFEL KIT CRUISE BAC A GLACONS CRUISE
29	SBG00005BA	LÜFTER 12V LOW SPEED FÜR COMPACT UND CRUISE VENTILATEUR 12V PETITE VITESSE POUR COMPACT ET CRUISE

## PIEZAS DE REPUESTO CR85 CLEAN TOUCH RESERVDLAR CR85 CLEAN TOUCH

NÚMERO NUMMER	NÚMERO ARTICULO ARTIKELNUMMER	DESCRIPCIÓN DE LA PARTE ARTIKELBESKRIVNING
1	SDF00086AB	PROTECCIÓN DE GOMA PARA MARCO INOX 6 UDS GUMMIPROPP FÖR ROSTFRI STÅLRAM 6-PACK
2	SBE00194AB	BISAGRA SUPERIOR CR ELEGANCE ÖVRE GÅNGJÄRN CR ELEGANCE
3	SGC00302AA	PROTECCIÓN DE PLASTICO BLANCA PARA EVAPORADOR CR49/CR65 ELEGANCE VITT PLASTHÖLJE FÖR FÖRÅNGARE CR85/CR130 C.
4	SGC00291AA	REJILLA SUPERIOR PEQUEÑA CR85 C. LITEN ÖVRE HYLLE CR85 C.
5	SGC00292AA	DEPOSITO ANTI GOTEIO PARA CR85/CR130 C, DROPP-FAT CR85/CR130 C.
6	SGC00034AA	REJILLA INTERIOR CR85 HYLLE CR85
7	SBE00196AA	SOPORTE DE PLASTICO NEGRO DE PUERTA CR ELEGANCE DÖRRSTÖD I SVART PLAST CR ELEGANCE
8	SGC00071AA	BARRA SOPORTE METAL PARA ESTANTE PUERTA BAS CR85 METALHÅLLARE FÖR DÖRRHYLLE CR85
9	SGC00293AA	BARRA ESTANTE EN PLASTICO DE PUERTA CR85 C. DÖRRHYLLE MED HÅLLARE CR85 C.
10	SGC00450AA	PUERTA COMPLETA DE ACCESORIOS CR85 CLEAN TOUCH DÖRR CR85 CLEAN TOUCH KOMPLETT
11	SGC00294AA	PUERTA EVAPORADOR CRUISE CR49/CR65/CR85/CR130 C.&ELEGANCE DÖRR FÖRÅNGARE CR49/CR65/CR85/CR130 C. & EL
13	SGD00043AA	KIT COMPLETO TIRADOR PUERTA BRIGHT SILVER CR49/65/85/130 ELEGANCE KIT HANDTAG SILVER KOMPLETT MED FJADER OCH CYLINDER CR ELEGANCE
15	SBE00195AB	BISAGRA INFERIOR CR ELEGANCE NEDRE GÅNGJÄRN CR ELEGANCE
17	SBE00211AA	BASE DE INOX ENGANCHE SUPERIOR CR ELEGANCE FÄSTE I ROSTFRITT STÅL FÖR TOP CR ELEGANCE
19	SGB00192AA	MARCO 3 LADOS INOX FLUSH MOUNTING CR42/CR49 CLEAN TOUCH 3 SIDOR RAM INOX FLUSH MOUNTING CR42/CR49 CLEAN TOUCH
20	SBD00122AA	KIT CONDENSADOR CRUISE C. KIT KONDENSOR CR C.
21	SEA00092DA	TERMOSTATO CRUISE 49/65/85/130 C. THERMOSTAT CRUISE 49/65/85/130 C.
22	SEC00038DA	LUZ LED CR49/64/85/130 ELEGANCE LED LAMPA CR49/64/85/130 ELEGANCE
23	SBF00105AA	EVAPORADOR CR85/CR130 C. FÖRÅNGARE CR85/130 C.
24	SEG00002DA	CAJA ELECTRONICA DANFOSS/SECOP 101N210 BD35/50F 12/24V ELDEL SECOP 101N0210 BD35/50F 12/24V
24	SEG00030GA	CAJA ELECTRONICA DANFOSS/SECOP BD35F/50FAC/DC 12/24V-115/230V ELDEL SECOP B35F/BD50F AC/DC 12/24V-115/230V
25	SEC00004DA	KIT DE LUZ INTERNA 12-24V C. KONTAKT MED ETIKETT TB15/18
26	SBA00002DA	COMPRESOR SECOP BD35F 12/24V SIN CAJA ELECTRONICA KOMPRESSOR SECOP BD35F 12/24V UTAN ELDEL
27	SEA00093AA	RUEDA REGUL. TERMOSTATO CRUISE 49/65/85/130 DR 49/55/65 C. THERMOSTAT-VRED CRUISE 49/65/85/130 DR49/55/67
28	SGC00022AA	CUBITERA CRUISE ISBIT KIT CRUISE
29	SBG00005BA	VENTILADOR 12V LOW SPEED FLÄKT 12V LOW SPEED

## CLEAN TOUCH



**ATTENZIONE:** Per evitare di rovinare la superficie del vostro prodotto Clean-Touch, pulire le superfici dei prodotti solo ed esclusivamente con un panno in microfibra morbido ed umido. Evitare assolutamente detersivi abrasivi, panni abrasivi e carta.



**WARNING:** Only clean the surfaces of products with a soft, damp microfibre cloth to avoid damaging the surface of your Clean-Touch product. Do not use abrasive cleaners, abrasive cloths or paper.



**ACHTUNG:** Damit die Oberfläche Ihres Produktes Clean-Touch nicht beschädigt wird, die Oberflächen der Produkte ausschließlich mit einem weichen und feuchten Mikrofaser-Tuch reinigen. Scheuernde Reinigungsmittel, Scheuerschwämme und Schleifpapier sind absolut zu vermeiden.



**ATTENTION :** Pour éviter d'abîmer la surface de votre produit Clean-Touch, nettoyer les surfaces des produits seulement et exclusivement avec un chiffon en microfibre doux et humidifié. Éviter absolument les détergents et chiffons abrasifs et le papier.



**ATENCIÓN:** Para evitar estropear la superficie del producto Clean-Touch, limpiar las superficies de los productos exclusivamente con un paño de microfibra blando y húmedo. Evitar taxativamente el uso de detergentes y paños abrasivos y de papel.



**LET OP:** om schade aan het oppervlak van uw Clean-Touch-product te voorkomen, reinig het oppervlak alleen met een zacht, vochtig doekje van microfiber. Vermijd het gebruik van schuurmiddelen, schurende doekjes en papier.



**HUOMIO:** Clean-Touch-tuotteen pintavaurioiden välttämiseksi tuotteen pinnat tulee puhdistaa ainoastaan pehmeällä ja kostealla mikrokuituliinalla. Vältä ehdottomasti käyttämästä hankaavia pesuaineita, liinoja ja papereita.

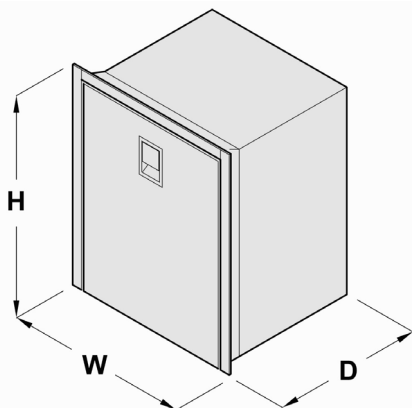


**OBSERVERA:** För att undvika att skada ytan på er Clean-Touch-produkt ska den alltid rengöras endast med en mjuk och fuktig mikrofibertrasa. Använd aldrig slipande rengöringsmedel eller slipande trasor, och inte heller papper.



**ВНИМАНИЕ:** Во избежание повреждения поверхности вашего изделия Clean-Touch, очищайте поверхности изделий только мягкой влажной тканью из микроволокна. Избегайте использования абразивных чистящих средств, абразивных тканей и бумаги.

**Dimensioni, Dimensions, Abmessunge, Dimensions, Dimensiones, Afmetingen, Mitat, Installationsmått, Размеры**



Model	Width (mm) [W]	Height (mm) [H]	Depth (mm) [D]	Door Thickness (mm) [S]	Cut-Out (mm) W:H	Flange Size (mm) Left:Right:Top:Bottom	Notes
CR 160 DRINK INOX	626	870	610	/	630:870	20:20:20:/	
CR 220/260 INOX	545	1545	560	/	550:1550	20:20:20:/	
CR 320 INOX	627	1788	610	/	630:1790	20:20:20:/	
CR 42 CLEAN TOUCH	400	525	385+115(1)	/	405:525	20:20:20:/	REM
CR 49 CLEAN TOUCH	400	525	500	/	405:525	20:20:20:/	
CR 65 CLEAN TOUCH	470	528	520	/	475:532	20:20:20:/	
CR 85 CLEAN TOUCH	495	625	550	/	500:625	20:20:20:/	
CR 130 CLEAN TOUCH	545	750	555	/	550:750	20:20:20:/	

- Per ulteriori spiegazioni consultare il manuale.
- Please see the manual for further information.
- Für weitere Erläuterungen im Handbuch nachsehen.
- Consulter le manuel pour plus d'informations.
- Para mayor información consultar el manual.
- Raadpleeg de handleiding voor een nadere toelichting.
- Katso lisätietoja ohjekirjasta.
- För ytterligare information hänvisar vi till bruksanvisningen.
- Для более подробного объяснения см.руководство пользователя.

Model	Istantaneous Consumption 12/24Vdc		Average Consumption at 25°C (Watt/24h)
	12/24Vdc (Amperes)	12/24Vdc (Watt)	
CR160 DRINK INOX	7,0/3,5	84	512
CR220 INOX	(6,0/3,0) X2	72 X2	400+550
CR260 INOX	(6,0/3,0) X2	72 X2	400+429
CR320 INOX DRINK-FRIDGE/FRIDGE	(7,0/3,5) X2	84 X2	512+530
CR320 INOX DRINK-FRIDGE/FREEZER	(7,0/3,5) + (10,0/5,0)	84+120	512+635
CR320 INOX DRINK-FREEZER/FREEZER	(7,0/3,5) + (10,0/5,0)	84+120	512+1100
CR42 CLEAN TOUCH	5,5/2,25	66	285
CR49 CLEAN TOUCH	6,0/3,5	72	280
CR65 CLEAN TOUCH	6,0/3,0	72	275
CR85 CLEAN TOUCH	6,0/3,0	72	368
CR130 CLEAN TOUCH	6,0/3,0	72	418

#### Fusibile, Fuse, Sicherung, Fusible, Fusible, Zekering, Sulake, Säkring, предохранитель

Model	12Vdc	24Vdc
CR42 CLEAN TOUCH, CR49 CLEAN TOUCH, CR65 CLEAN TOUCH, CR85 CLEAN TOUCH, CR130 CLEAN TOUCH, CR160 DRINK INOX	15A	7,5A
CR220, CR260, CR320 INOX DRINK-FRIDGE/FRIDGE	30A	15A
CR320 INOX DRINK-FRIDGE/FREEZER CR320 INOX DRINK-FREEZER/FREEZER	45A	25,5A

- Per ulteriori spiegazioni consultare il manuale.
- Please see the manual for further information.
- Für weitere Erläuterungen im Handbuch nachsehen.
- Consulter le manuel pour plus d'informations.
- Para mayor información consultar el manual.
- Raadpleeg de handleiding voor een nadere toelichting.
- Katso lisätietoa ohjekirjasta.
- För ytterligare information hänvisar vi till bruksanvisningen.
- Для более подробного объяснения см.руководство пользователя.





### **Indel Webasto Marine – Present all over the world!**

Indel Webasto Marine is the successful Joint Venture of Italian based IndelB and Germany based Webasto. These two companies join forces to bring high quality solutions enhancing comfort in galley equipment for marine applications and to provide excellent customer service in all key boating areas. Our global dealer support network ensures local expertise for all our customers. For more information, please visit our website [www.indelwebastomarine.com](http://www.indelwebastomarine.com).



Indel Webasto Marine Srl  
Via dei Ronchi n°11  
47866 - Sant'Agata Feltria (RN) - ITALY  
Tel. +39 0541 848030 - Fax +39 0541 848 563  
E-MAIL: [info@indelwebastomarine.com](mailto:info@indelwebastomarine.com)  
WEB: [www.indelwebastomarine.com](http://www.indelwebastomarine.com)



Indel Webasto Marine USA  
3391 SW 42nd Street  
Hollywood FL - 33312  
Phone (954) 984 8448 - Fax (954) 979 2533  
E-MAIL: [info@iwmarine.com](mailto:info@iwmarine.com)  
WEB: [www.indelwebastomarineusa.com](http://www.indelwebastomarineusa.com)