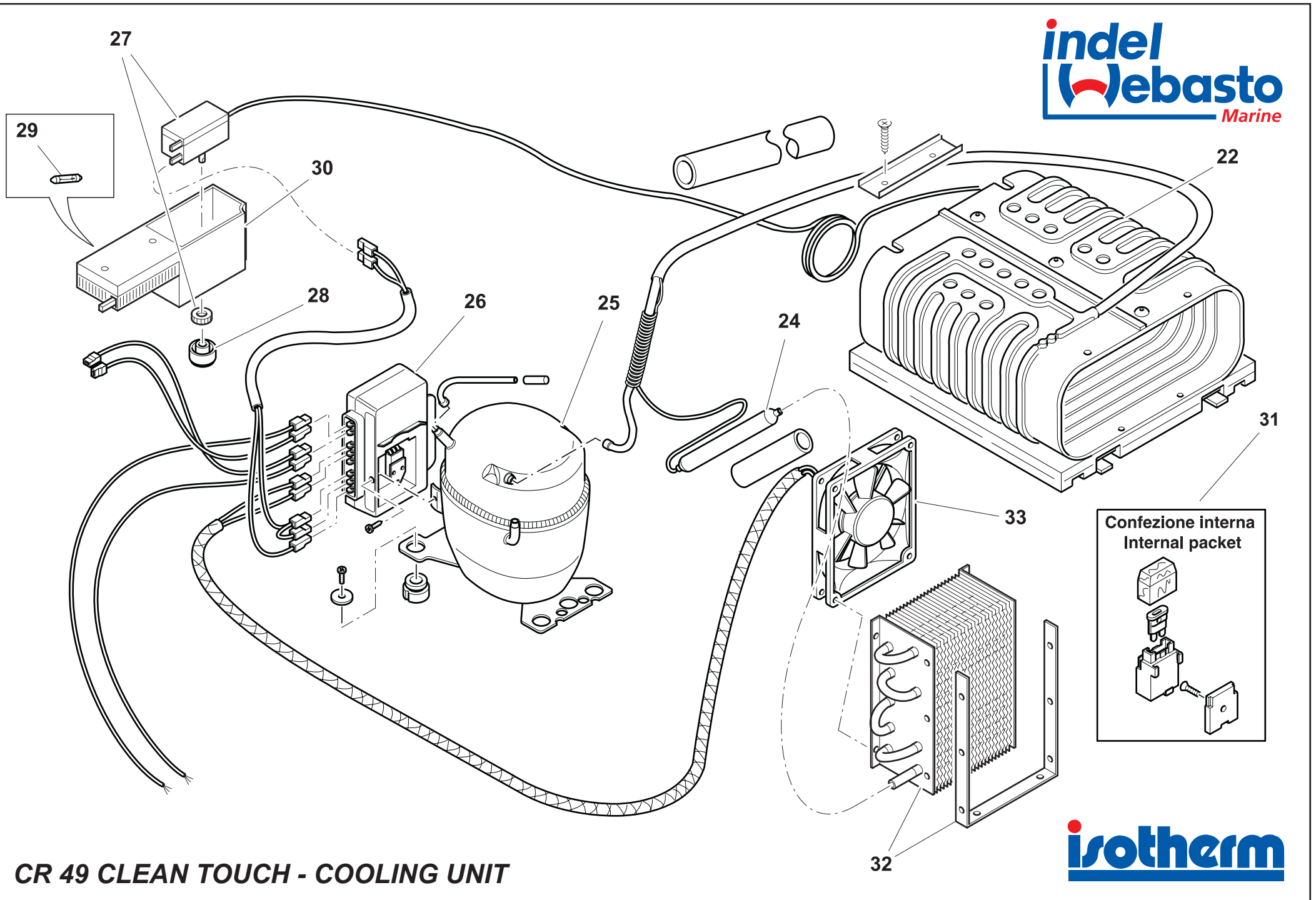


CR 49 CLEAN TOUCH - CABINET



CR 49 CLEAN TOUCH - COOLING UNIT

RICAMBI CR49 CLEAN TOUCH SPARE PARTS CR49 CLEAN TOUCH

NUMERO NUMBER	COD. ARTICOLO ITEM CODE	DESCRIZIONE ARTICOLO ITEM DESCRIPTION
1	SDF00086AB	GOMMINO ANTIURTO PER FLANGIA INOX CONFEZIONE 6PZ RUBBER BUMPER FOR INOX FRAME 6PCS
2	SBE00194AB	CERNIERA SUPERIORE CR ELEGANCE UPPER HINGE CR ELEGANCE
3	SBE00196AA	STAFFA SOSTEGNO PORTA PLASTICA NERA CR ELEGANCE SUPPORT BRACKET DOOR CR ELEGANCE
4	SGC00225AA	GRIGLIA INTERNA CRUISE 49 CHINA INTERNAL SHELF CRUISE 49 CHINA
5	SGC00365AA	COPERTURA EVAPORATORE PLASTICA BIANCA CR49/CR65 ELEGANCE PLASTIC COVER FOR EVAPORATOR CR49/CR65 ELEGANCE
6	SGC00294AA	PORTINA EVAPORATORE CRUISE CR49/CR65/CR85/CR130 C. & ELEGANCE EVAPORATOR DOOR CRUISE CR49/CR65/CR85/CR130 C. EL.
7	SGC00366AA	SGOCCIOLATOIO EVAPORATORE CR49/CR65 ELEGANCE DRIP TRAY FOR CR49/CR65 CHINA
8	SGC00022AA	CUBETTIERA CRUISE ICE CUBE CRUISE
9	SGB00190AA	FLANGIA 3 LATI FLUSH MOUNTING INOX CR42/CR49 CLEAN TOUCH FRAME 3-SIDE FLUSH MOUNTING INOX CR42/CR49 CLEAN TOUCH
10	SGC00448AA	PORTA INOX CLEAN TOUCH COMPLETA DI ACCESSORI PER CR42/49 COMPLETE INOX CLEAN-TOUCH DOOR FOR CR42/49
11	SGC00227AA	BALCONCINO GRANDE PORTA CRUISE 49 C. BIG RETAINER CRUISE 49 C.
12	SGC00234AA	FILONCINO PER BALCONCINO GRANDE CRUISE 49 C. BIG METAL RETEINER CR49 C.
13	SBE00195AB	CERNIERA INFERIORE CR ELEGANCE LOWER HINGE CR ELEGANCE
16	SGD00043AA	KIT MANIGLIA BRIGHT SILVER COMPLETA DI MOLLE E PERNI PER CR49/65/85/130 ELEGANCE HANDLE BRIGHT SILVER COMPLETE KIT WITH SPRINGS AND PIVOT CR49/65/85/130 ELEGANCE
17	SBE00211AA	STAFFA AGGANCIO TOP INOX CR ELEGANCE INOX SUPPORT BRACKET FOR TOP CR ELEGANCE
20	SGC00232AA	BALCONCINO PICCOLO PORTA CRUISE 49 C. SMALL RETAINER CRUISE 49 C.
21	SGC00233AA	FILONCINO PER BALCONCINO PICCOLO CRUISE 49 C. SMALL METAL RETAINER CR49 C.
22	SBF00109AA	EVAPORATORE CR49/CR65 ELEGANCE EVAPORATOR CR49/CR65 ELEGANCE
24	SBD00026AA	FILTRO 10gr 2V XH7 PER R134A Ø19mm foro in-out 5,0-5,1 FILTER 10gr Ø 19mm in-out 5,0-5,1
25	SBA00002DA	COMPRESSORE SECOP BD35F SENZA CENTRALINA SECOP COMPRESSOR BD35F 12/24V NO ELECTRICAL UNIT
26	SEG00002DA	CENTRALINA SECOP 101N0210 BD35/50F 12/24V SECOP ELECTRICAL UNIT 101N0210 BD35/50F 12/24V
26	SEG00030GA	CENTRALINA SECOP B35F/BD50F AC/DC 12/24V-115/230V SECOP ELECT. UNIT BD35F/50FAC/DC 12/24V-115/230V
27	SEA00092DA	TERMOSTATO CRUISE 49/65/85/130 C. THERMOSTAT CRUISE 49/65/85/130 C.
28	SEA00093AA	MANOPOLA TERMOSTATO CRUISE 49/65/85/130 C. THERMOSTAT KNOB CRUISE 49/65/85/130 C.
29	SEC00038DA	LAMPADINA LED CR49/65/85/130 ELEGANCE LED LAMP CR49/64/85/130 ELEGANCE
30	SEA00094AA	SCATOLA TERMOSTATO CRUISE 49/65/85/130 C. THERMOSTAT BOX CRUISE 49/65/85/130 C.
31	SEB00039AA	KIT PORTA-FUSIBILE 15A FUSE-KIT 15A
32	SBD00104AA	CONDENSATORE CRUISE 49/65 C. CRUISE 49/65 CONDENSER C.
33	SBG00037DA	VENTOLA 9x9 CR49/CR65 ELEGANCE FAN 9x9 CR49/CR65 ELEGANCE

NUMMER	ARTIKELNUMMER	ARTIKEL BESCHREIBUNG
NUMERO	REF. ARTICLE	DESCRIPTION ARTICLE
1	SDF00086AB	BUMPER GUMMI FÜR INOX RAHMEN 6 STÜCK PROTECTION CAOUTCHOUC CADRE INOX 6 PCES
2	SBE00194AB	OBERE SCHARNIERE CHARNIERE SUPERIEURE CR ELEGANCE
3	SBE00196AA	HALTERUNG FÜR TÜR CR ELEGANCE SUPPORT INFERIEUR PORTE CR ELEGANCE
4	SGC00225AA	EINLEGE GITTER CRUISE 49 C. CLAYETTE INTERIEURE CR49 C.
5	SGC00365AA	KUNSTSTOFFABDECKUNG FÜR VERDAMPFER CR49/CR65 ELEGANCE PROTECTION PLASTIQUE EVAPORATEUR CR49/CR65 ELEGANCE
6	SGC00294AA	KLAPPE VOM GEFRIERFACH CR49/65/85/130 C. EL. PORTE EVAPORATEUR CRUISE CR49/CR65/CR85/CR130 C. EL
7	SGC00366AA	AUFANGSCHALE FÜR GEFRIERFACH CR49/CR65 C. BAC DE RECUPERATION POUR CR49/CR65 CHINE
8	SGC00022AA	EISWÜRFEL KIT CRUISE BAC A GLACONS CRUISE
9	SGB00190AA	MARCO 3 LADOS INOX FLUSH MOUNTING CR42/CR49 CLEAN TOUCH 3 SIDOR RAM INOX FLUSH MOUNTING CR42/CR49 CLEAN TOUCH
10	SGC00448AA	KOMPLETTE TÜR CR42/CR49 CLEAN TOUCH PORTE COMPLETE CR42/CR49 CLEAN TOUCH
11	SGC00227AA	GROSSER HALTER CRUISE 49 C. PORTE BOUTEILLES BAS CRUISE 49 C.
12	SGC00234AA	GROSSER METALLHALTER CR49 C. BARRE METAL PORTE BOUTEILLES BAS CR49 C.
13	SBE00195AB	UNTERE SCHARNIERE CR ELEGANCE CHARNIERE INFERIEURE CR ELEGANCE
16	SGD00043AA	HEBELPANEL HELL SILBER KOMPLETER SATZ mit FEDER U. DREHPUNKT CR49/65/85/130 ELEGANCE KIT COMPLET POIGNEE PORTE CR49/65/85/130 ELEGANCE
17	SBE00211AA	EDELSTAHL HALTEBÜGEL FÜR TOP CR ELEGANCE SUPPORT INOX TOP CR ELEGANCE
20	SGC00232AA	KLEINER HALTER CRUISE 49 C. PORTE BOUTEILLES HAUT CRUISE 49 C.
21	SGC00233AA	KLEINER METALLHALTER CR49 C. BARRE METAL PORTE BOUTEILLES HAUT CR49 C.
22	SBF00109AA	VERDAMPFER CR49/CR65 ELEGANCE EVAPORATEUR CR49/CR65 ELEGANCE
24	SBD00026AA	FILTER FÜR R134a 2V XH7 R134A Ø19mm in-out 5,0-5,1 FILTRE 2V XH7 PER POUR R134A Ø19mm in-out 5,0-5,1
25	SBA00002DA	SECOP KOMPRESSOR BD35F 12/24V OHNE STEUERGERÄT COMPRESSEUR SECOP BD35F 12/24V SANS BOITIER ELECTRONIQUE
26	SEG00002DA	STEUERGERÄT SECOP 101N0210 BD35/50F 12/24V BOITIER ELECTRONIQUE SECOP 101N0210 BD35/50F 12/24V
26	SEG00030GA	STEUERGERÄT SECOP BD35F/50FAC/DC 12/24V-115/230V BOITIER ELECTRONIQUE SECOP BD35F/50FAC/DC 12/24V-115/230V
27	SEA00092DA	THERMOSTAT CRUISE 49/65/85/130 C. THERMOSTAT CRUISE 49/65/85/130 C.
28	SEA00093AA	THERMOSTAT KNOPF CRUISE 49/65/85/130 C. BOUTON THERMOSTAT CRUISE 49/65/85/130 C.
29	SEC00038DA	LED LEUCHTMITTEL CR49/64/85/130 ELEGANCE AMPOULE LED CR49/64/85/130 ELEGANCE
30	SEA00094AA	BOX FÜR THERMOSTAT CRUISE 49/65/85/130 C. BOITIER THERMOSTAT CRUISE 49/65/85/130 C.
31	SEB00039AA	KIT SICHERUNG 15A KIT FUSIBLE 15A
32	SBD00104AA	CRUISE 49/65 C. KONDENSER CONDENSEUR CRUISE 49/65 C.
33	SBG00037DA	GEBLÄSE 9X9 CR49/CR65 ELEGANCE VENTILATEUR 9x9 CR49/CR65 ELEGANCE

NÚMERO	NÚMERO ARTICULO	DESCRIPCIÓN DE LA PARTE
NUMMER	ARTIKELNUMMER	ARTIKELBESKRIVNING
1	SDF00086AB	PROTECCIÓN DE GOMA PARA MARCO INOX 6 UDS GUMMIPROPP FÖR ROSTFRI STÅLRAM 6-PACK
2	SBE00194AB	BISAGRA SUPERIOR CR ELEGANCE ÖVRE GÅNGJÄRN CR ELEGANCE
3	SBE00196AA	SOPORTE DE PLASTICO NEGRO DE PUERTA CR ELEGANCE DÖRRSTÖD I SVART PLAST CR ELEGANCE
4	SGC00225AA	REJILLA INTERIOR CR49 C. INRE HYLLA CR 49 C.
5	SGC00365AA	TAPA DE PLASTICO BLANCA PARA EVAPORADOR CR49/CR65 ELEGANCE PLASTHÖLJE FÖRÅNGARE CR49/65 EL
6	SGC00294AA	PUERTA EVAPORADOR CRUISE CR49/CR65/CR85/CR130 C.&ELEGANCE DÖRR FÖRÅNGARE CR49/CR65/CR85/CR130 C. & EL
7	SGC00366AA	DEPOSITO ANTI GOTELO PARA CR49/CR65 C. DROP-FAT FÖRÅNGARE CR49/65 EL
8	SGC00022AA	CUBITERA CRUISE ISBIT KIT CRUISE
9	SGB00190AA	MARCO 3 PIEZAS/ 3 LADOS SILVER CR49 ELEGANCE 3 SIDOR RAM (3 DELAR) SILVER CR49 ELEGANCE
10	SGC00448AA	PUERTA COMPLETA DE ACCESORIOS CR42/CR49 CLEAN TOUCH DÖRR CR42/CR49 CLEAN TOUCH KOMPLETT
11	SGC00227AA	PORTA BOTELLAS CRUISE 49 C STOR HYLLA DÖRR CR49 C.
12	SGC00234AA	BARRA SOPORTE PARA ESTANTE GRANDE PUERTA CR49 C METALHÅLLARE STOR HYLLA DÖRR CR49 C.
13	SBE00195AB	BISAGRA INFERIOR CR ELEGANCE NEDRE GÅNGJÄRN CR ELEGANCE
16	SGD00043AA	KIT COMPLETO TIRADOR PUERTA BRIGHT SILVER CR49/65/85/130 ELEGANCE KIT HANDTAG SILVER KOMPLETT MED FJADER OCH CYLINDER CR ELEGANCE
17	SBE00211AA	BASE DE INOX ENGANCHE SUPERIOR CR ELEGANCE FÄSTE I ROSTFRITT STÅL FÖR TOP CR ELEGANCE
20	SGC00232AA	BARRA SUJETADORA CRUISE 49 C, LITEN HYLLA DÖRR CR49 C.
21	SGC00233AA	BARRA SOPORTE PARA ESTANTE PEQUEÑO PUERTA CR49 C METALHÅLLARE LITEN HYLLA DÖRR CR49 C.
22	SBF00109AA	EVAPORADOR CR49/CR65 ELEGANCE FÖRÅNGARE CR49/65 ELEGANCE
24	SBD00026AA	FILTRO 10GR 2V XH7 PARA R134A Ø19mm foro in-out 5,0-5,1 FILTER FÖR 2V XH7 FÖR R134A Ø19mm in-out 5,0-5,1
25	SBA00002DA	COMPRESOR SECOP BD35F 12/24V SIN CAJA ELECTRONICA KOMPRESSOR SECOP BD35F 12/24V UTAN ELDEL
26	SEG00002DA	CAJA ELECTRONICA DANFOSS/SECOP 101N210 BD35/50F 12/24V ELDEL SECOP 101N0210 BD35/50F 12/24V
26	SEG00030GA	CAJA ELECTRONICA DANFOSS/SECOP BD35F/50FAC/DC 12/24V-115/230V ELDEL SECOP B35F/BD50F AC/DC 12/24V-115/230V
27	SEA00092DA	TERMOSTATO CRUISE 49/65/85/130 C. THERMOSTAT CRUISE 49/65/85/130 C.
28	SEA00093AA	RUEDA REGUL. TERMOSTATO CRUISE 49/65/85/130 DR 49/55/65 C. THERMOSTAT-VRED CRUISE 49/65/85/130 DR49/55/65
29	SEC00038DA	LUZ LED CR49/64/85/130 ELEGANCE LED LAMPA CR49/64/85/130 ELEGANCE
30	SEA00094AA	CAJA TERMOSTATO CRUISE 49/65/85/130 C. THERMOSTATDOSA CRUISE 49/65/85/130 C.
31	SEB00039AA	KIT PORTAFUSIBLES 15A SÄKRINGS-KIT 15A
32	SBD00104AA	CONDENSADOR CRUISE 49/65 C KONDENSOR CR49/65 C.
33	SBG00037DA	VENTILADOR 9X9 CR49/CR65 ELEGANCE FLÄKT 9x9 CR49/CR65 ELEGANCE

CLEAN TOUCH



ATTENZIONE: Per evitare di rovinare la superficie del vostro prodotto Clean-Touch, pulire le superfici dei prodotti solo ed esclusivamente con un panno in microfibra morbido ed umido. Evitare assolutamente detersivi abrasivi, panni abrasivi e carta.



WARNING: Only clean the surfaces of products with a soft, damp microfibre cloth to avoid damaging the surface of your Clean-Touch product. Do not use abrasive cleaners, abrasive cloths or paper.



ACHTUNG: Damit die Oberfläche Ihres Produktes Clean-Touch nicht beschädigt wird, die Oberflächen der Produkte ausschließlich mit einem weichen und feuchten Mikrofaser-Tuch reinigen. Scheuernde Reinigungsmittel, Scheuerschwämme und Schleifpapier sind absolut zu vermeiden.



ATTENTION : Pour éviter d'abîmer la surface de votre produit Clean-Touch, nettoyer les surfaces des produits seulement et exclusivement avec un chiffon en microfibre doux et humidifié. Éviter absolument les détergents et chiffons abrasifs et le papier.



ATENCIÓN: Para evitar estropear la superficie del producto Clean-Touch, limpiar las superficies de los productos exclusivamente con un paño de microfibra blando y húmedo. Evitar taxativamente el uso de detergentes y paños abrasivos y de papel.



LET OP: om schade aan het oppervlak van uw Clean-Touch-product te voorkomen, reinig het oppervlak alleen met een zacht, vochtig doekje van microfiber. Vermijd het gebruik van schuurmiddelen, schurende doekjes en papier.



HUOMIO: Clean-Touch-tuotteen pintavaurioiden välttämiseksi tuotteen pinnat tulee puhdistaa ainoastaan pehmeällä ja kostealla mikrokuituliinalla. Vältä ehdottomasti käyttämästä hankaavia pesuaineita, liinoja ja papereita.

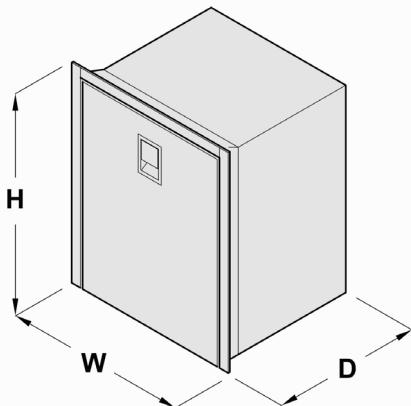


OBSERVERA: För att undvika att skada ytan på er Clean-Touch-produkt ska den alltid rengöras endast med en mjuk och fuktig mikrofibertrasa. Använd aldrig slipande rengöringsmedel eller slipande trasor, och inte heller papper.



ВНИМАНИЕ: Во избежание повреждения поверхности вашего изделия Clean-Touch, очищайте поверхности изделий только мягкой влажной тканью из микроволокна. Избегайте использования абразивных чистящих средств, абразивных тканей и бумаги.

Dimensioni, Dimensions, Abmessunge, Dimensions, Dimensiones, Afmetingen, Mitat, Installationsmått, Размеры



Model	Width (mm) [W]	Height (mm) [H]	Depth (mm) [D]	Door Thickness (mm) [S]	Cut-Out (mm) W:H	Flange Size (mm) Left:Right:Top:Bottom	Notes
CR 160 DRINK INOX	626	870	610	/	630:870	20:20:20:/	
CR 220/260 INOX	545	1545	560	/	550:1550	20:20:20:/	
CR 320 INOX	627	1788	610	/	630:1790	20:20:20:/	
CR 42 CLEAN TOUCH	400	525	385+115(1)	/	405:525	20:20:20:/	REM
CR 49 CLEAN TOUCH	400	525	500	/	405:525	20:20:20:/	
CR 65 CLEAN TOUCH	470	528	520	/	475:532	20:20:20:/	
CR 85 CLEAN TOUCH	495	625	550	/	500:625	20:20:20:/	
CR 130 CLEAN TOUCH	545	750	555	/	550:750	20:20:20:/	

- Per ulteriori spiegazioni consultare il manuale.
- Please see the manual for further information.
- Für weitere Erläuterungen im Handbuch nachsehen.
- Consulter le manuel pour plus d'informations.
- Para mayor información consultar el manual.
- Raadpleeg de handleiding voor een nadere toelichting.
- Katso lisätietoja ohjekirjasta.
- För ytterligare information hänvisar vi till bruksanvisningen.
- Для более подробного объяснения см.руководство пользователя.

Model	Istantaneous Consumption 12/24Vdc		Average Consumption at 25°C (Watt/24h)
	12/24Vdc (Amperes)	12/24Vdc (Watt)	
CR160 DRINK INOX	7,0/3,5	84	512
CR220 INOX	(6,0/3,0) X2	72 X2	400+550
CR260 INOX	(6,0/3,0) X2	72 X2	400+429
CR320 INOX DRINK-FRIDGE/FRIDGE	(7,0/3,5) X2	84 X2	512+530
CR320 INOX DRINK-FRIDGE/FREEZER	(7,0/3,5) + (10,0/5,0)	84+120	512+635
CR320 INOX DRINK-FREEZER/FREEZER	(7,0/3,5) + (10,0/5,0)	84+120	512+1100
CR42 CLEAN TOUCH	5,5/2,25	66	285
CR49 CLEAN TOUCH	6,0/3,5	72	280
CR65 CLEAN TOUCH	6,0/3,0	72	275
CR85 CLEAN TOUCH	6,0/3,0	72	368
CR130 CLEAN TOUCH	6,0/3,0	72	418

Fusibile, Fuse, Sicherung, Fusible, Fusible, Zekering, Sulake, Säkring, предохранитель

Model	12Vdc	24Vdc
CR42 CLEAN TOUCH, CR49 CLEAN TOUCH, CR65 CLEAN TOUCH, CR85 CLEAN TOUCH, CR130 CLEAN TOUCH, CR160 DRINK INOX	15A	7,5A
CR220, CR260, CR320 INOX DRINK-FRIDGE/FRIDGE	30A	15A
CR320 INOX DRINK-FRIDGE/FREEZER CR320 INOX DRINK-FREEZER/FREEZER	45A	25,5A

- Per ulteriori spiegazioni consultare il manuale.
- Please see the manual for further information.
- Für weitere Erläuterungen im Handbuch nachsehen.
- Consulter le manuel pour plus d'informations.
- Para mayor información consultar el manual.
- Raadpleeg de handleiding voor een nadere toelichting.
- Katso lisätietoa ohjekirjasta.
- För ytterligare information hänvisar vi till bruksanvisningen.
- Для более подробного объяснения см.руководство пользователя.



Indel Webasto Marine – Present all over the world!

Indel Webasto Marine is the successful Joint Venture of Italian based IndelB and Germany based Webasto. These two companies join forces to bring high quality solutions enhancing comfort in galley equipment for marine applications and to provide excellent customer service in all key boating areas. Our global dealer support network ensures local expertise for all our customers. For more information, please visit our website www.indelwebastomarine.com.



Indel Webasto Marine Srl
Via dei Ronchi n°11
47866 - Sant'Agata Feltria (RN) - ITALY
Tel. +39 0541 848030 - Fax +39 0541 848 563
E-MAIL: info@indelwebastomarine.com
WEB: www.indelwebastomarine.com



Indel Webasto Marine USA
3391 SW 42nd Street
Hollywood FL - 33312
Phone (954) 984 8448 - Fax (954) 979 2533
E-MAIL: info@iwmarine.com
WEB: www.indelwebastomarineusa.com