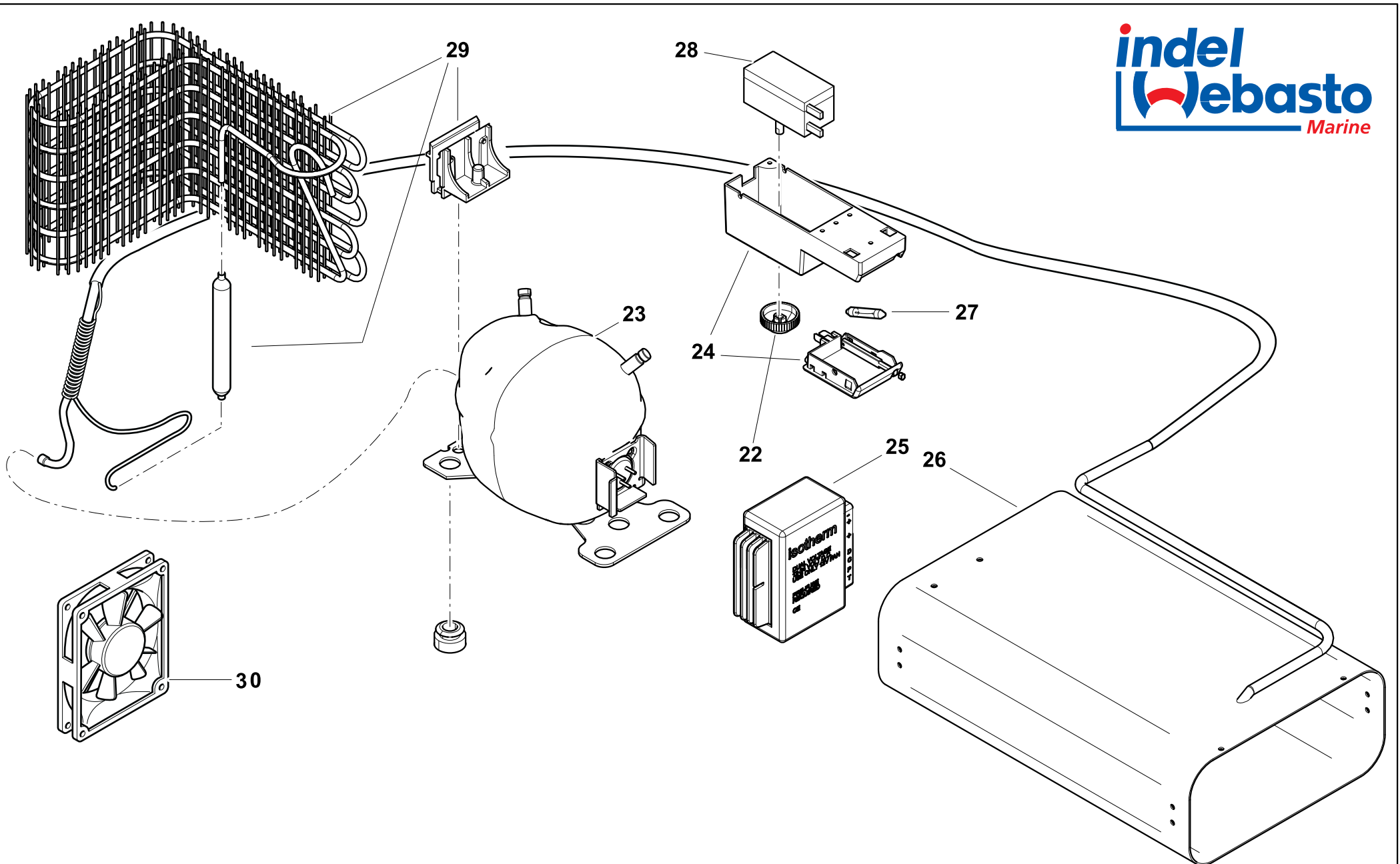


CR 130 CLEAN TOUCH - CABINET



CR 130 CLEAN TOUCH - COOLING UNIT

NUMERO NUMBER	COD. ARTICOLO ITEM CODE	DESCRIZIONE ARTICOLO ITEM DESCRIPTION
1	SDF00086AB	GOMMINO ANTIURTO PER FLANGIA INOX CONFEZIONE 6PZ RUBBER BUMPER FOR INOX FRAME 6PCS
2	SBE00194AB	CERNIERA SUPERIORE CR ELEGANCE UPPER HINGE CR ELEGANCE
3	SGC00302AA	COPERTURA EVAPORATORE PLASTICA BIANCA CR85/CR130 C. PLASTIC COVER FOR EVAPORATOR CR85/CR130 C.
4	SGC00294AA	PORTINA EVAPORATORE CRUISE CR49/CR65/CR85/CR130 C. & ELEGANCE EVAPORATOR DOOR CRUISE CR49/CR65/CR85/CR130 C. EL.
6	SGC00451AA	PORTA INOX CLEAN TOUCH COMPLETA DI ACCESSORI PER CR130 COMPLETE INOX CLEAN-TOUCH DOOR FOR CR130
7	SGC00299AA	BALCONCINO CONTROPORTA CON FERMI CR130 C. PLASTIC RETAINER WITH SHELTER CR130 C.
8	SGC00125AA	FILONCINO METALLO PER BALCONCINO CR130 METAL RETEINER CR130
9	SGC00038AA	GRIGLIA INTERNA CR130/CR195 F151 INTERNAL SHELF FOR CR130/CR195 F151
10	SGC00292AA	SGOCCIOLATOIO EVAPORATORE CR85/CR130 C. DRIP TRAY FOR CR85/CR130 C.
11	SGC00300AA	GRIGLIA SUPERIORE PICCOLA CR130 C. SMALL UPPER SHELF CR130 C.
12	SGC00301AA	CASSETTO INFERIORE PLASTICA BIANCA CR130 C. LOWER PLASTIC DRAWER CR130 C.
13	SGC00047AA	RIPIANO IN VETRO CR130 SET 2pz GLASS SHELF CR130 SET 2pz
14	SBE00196AA	STAFFA SOSTEGNO PORTA PLASTICA NERA CR ELEGANCE SUPPORT BRACKET DOOR CR ELEGANCE
15	SGC00022AA	CUBETTIERA CRUISE ICE CUBE CRUISE
17	SGD00043AA	KIT MANIGLIA BRIGHT SILVER COMPLETA DI MOLLE E PERNI PER CR49/65/85/130 ELEGANCE HANDLE BRIGHT SILVER COMPLETE KIT WITH SPRINGS AND PIVOT CR49/65/85/130 ELEGANCE
18	SBE00195AB	CERNIERA INFERIORE CR ELEGANCE LOWER HINGE CR ELEGANCE
19	SBE00211AA	STAFFA AGGANCIAMENTO TOP INOX CR ELEGANCE INOX SUPPORT BRACKET FOR TOP CR ELEGANCE
22	SEA00093AA	MANOPOLA TERMOSTATO CRUISE 49/65/85/130 C. THERMOSTAT KNOB CRUISE 49/65/85/130 C.
23	SBA00002DA	COMPRESSORE BD35F SENZA CENTRALINA DANFOSS COMPRESSOR BD35F 12/24V NO ELECTRICAL UNIT TP39301
24	SEC00004DA	PLAFONIERA COMPLETA 12/24V C. INTERNAL LIGHT KIT 12-24V C.
25	SEG00002DA	CENTRALINA DANFOSS 101N0210 BD35/50F 12/24V TP39310 ELECTRICAL UNIT DANF. 101N0210 BD35/50F 12/24V TP39310
25	SEG00030GA	CENTRALINA DANFOSS B35F/BD50F AC/DC 12/24V-115/230V ELECT. UNIT DANFOSS BD35F/50FAC/DC 12/24V-115/230V
26	SBF00105AA	EVAPORATORE CR85/130 C. EVAPORATOR FOR CR85/130 C.
27	SEC00038AA	LAMPADINA LED CR49/65/85/130 ELEGANCE LED LAMP CR49/64/85/130 ELEGANCE
28	SEA00092DA	TERMOSTATO CRUISE 49/65/85/130 C. THERMOSTAT CRUISE 49/65/85/130 C.
29	SBD00122AA	KIT CONDENSATORE PER CRUISE C. CONDENSATOR KIT FOR CRUISE C.
30	SBG00005BA	VENTOLA CABLATA 12V LOW SPEED TP39236 FAN 12V LOW SPEED FOR COMPACT AND CRUISE TP39236
31	SGB00193AA	FLANGIA 3 LATI FLUSH MOUNTING INOX CR130 CLEAN TOUCH FRAME 3-SIDE FLUSH MOUNTING INOX CR130 CLEAN TOUCH

ERSATZTEILE CR130 CLEAN TOUCH PIECES DETACHEES CR130 CLEAN TOUCH

NUMMER NUMERO	ARTIKELNUMMER REF. ARTICLE	ARTIKEL BESCHREIBUNG DESCRIPTION ARTICLE
1	SDF00086AB	BUMPER GUMMI FÜR INOX RAHMEN 6 STÜCK PROTECTION CAOUTCHOUC CADRE INOX 6 PCES
2	SBE00194AB	OBERE SCHARNIERE CHARNIERE SUPERIEURE CR ELEGANCE
3	SGC00302AA	KUNSTSTOFFABDECKUNG FÜR VERDAMPFER CR85/CR130 ELEGANCE PROTECTION PLASTIQUE EVAPORATEUR CR85/CR130 ELEGANCE
4	SGC00294AA	KLAPPE VOM GEFRIERFACH CR49/65/85/130 C. EL. PORTE EVAPORATEUR CRUISE CR49/CR65/CR85/CR130 C. EL
6	SGC00451AA	KOMPLETTE TÜR CR130 CLEAN TOUCH PORTE COMPLETE CR130 CLEAN TOUCH
7	SGC00299AA	KUNSTSTOFFHALTERUNG MIT SCHUTZ CR130 C BARRE DE RETENUE PLASTIQUE PORTE BOUTEILLE BAS CR130 C.
8	SGC00125AA	GROSSER METALLHALTER CR130 C. BARRE METAL PORTE BOUTEILLES BAS CR130 C.
9	SGC00038AA	EINLEGE GITTER CRUISE 130 C. CLAYETTE INTERIEURE CR130 C.
10	SGC00292AA	AUFANGSCHALE FÜR GEFRIERFACH CR85/CR130 C. BAC DE RECUPERATION POUR CR85/CR130 CHINE
11	SGC00300AA	KLEINES, OBERE GITTER CR130 C PETITE CLAYETTE SUPERIEURE CR130 C.
12	SGC00301AA	UNTERSTE SCHUBLADE WEISSEM KUNSTSTOFF CR130 C. TIROIR BAS EN PLASTIQUE BLANC CR130 C.
13	SGC00047AA	GLASSBODEN CR130 SATZ 2 ST. CR130 C. ÉTAGÈRE EN VERRE CR130 Kit 2 pc. CR130 C.
14	SBE00196AA	HALTERUNG FÜR TÜR CR ELEGANCE SUPPORT INFERIEUR PORTE CR ELEGANCE
15	SGC00022AA	EISWÜRFEL KIT CRUISE BAC A GLACONS CRUISE
17	SGD00043AA	HEBELPANEL HELL SILBER KOMPLETER SATZ mit FEDER U. DREHPUNKT CR49/65/85/130 ELEGANCE KIT COMPLET POIGNEE PORTE CR49/65/85/130 ELEGANCE
18	SBE00195AB	UNTERE SCHARNIERE CR ELEGANCE CHARNIERE INFERIEURE CR ELEGANCE
19	SBE00211AA	EDELSTAHL HALTEBÜGEL FÜR TOP CR ELEGANCE SUPPORT INOX TOP CR ELEGANCE
22	SEA00093AA	THERMOSTAT KNOPF CRUISE 49/65/85/130 C. BOUTON THERMOSTAT CRUISE 49/65/85/130 C.
23	SBA00002DA	SECOP KOMPRESSOR BD35F 12/24V OHNE STEUERGERÄT COMPRESSEUR SECOP BD35F 12/24V SANS BOITIER ELECTRONIQUE
24	SEC00004DA	KIT INTERNES LICHT 12-24V C. KIT BOITIER ECLAIRAGE 12-24V
25	SEG00002DA	STEUERGERÄT SECOP 101N0210 BD35/50F 12/24V BOITIER ELECTRONIQUE SECOP 101N0210 BD35/50F 12/24V
25	SEG00030GA	STEUERGERÄT SECOP BD35F/50FAC/DC 12/24V-115/230V BOITIER ELECTRONIQUE SECOP BD35F/50FAC/DC 12/24V-115/230V
26	SBF00105AA	VERDAMPFER CR85/CR130 ELEGANCE EVAPORATEUR CR85/CR130 ELEGANCE
27	SEC00038AA	LED LEUCHTMITTEL CR49/64/85/130 ELEGANCE AMPOULE LED CR49/64/85/130 ELEGANCE
28	SEA00092DA	THERMOSTAT CRUISE 49/65/85/130 C. THERMOSTAT CRUISE 49/65/85/130 C.
29	SBD00122AA	KIT KONDENSATOR FÜR CR65 C KIT CONDENSEUR CRUISE C.
30	SBG00005BA	LÜFTER 12V LOW SPEED FÜR COMPACT UND CRUISE VENTILATEUR 12V PETITE VITESSE POUR COMPACT ET CRUISE
31	SGB00193AA	3 SEITIGE RAHMEN FLUSH MOUNTING INOX CR130 CLEAN TOUCH CADRE D'ENCASTREMENT 3COTES FLUSH MOUNTING CR130 CLEAN TOUCH

NÚMERO NUMBER	NÚMERO ARTICULO ARTIKELNUMMER	DESCRIPCIÓN DE LA PARTE ARTIKELBESKRIVNING
1	SDF00086AB	PROTECCIÓN DE GOMA PARA MARCO INOX 6 UDS GUMMIPROPP FÖR ROSTFRI STÅLRAM 6-PACK
2	SBE00194AB	BISAGRA SUPERIOR CR ELEGANCE ÖVRE GÅNGJÄRN CR ELEGANCE
3	SGC00302AA	PROTECCION DE PLASTICO BLANCA PARA EVAPORADOR CR49/CR65 ELEGANCE VITT PLASTHÖLJE FÖR FÖRÅNGARE CR85/CR130 C.
4	SGC00294AA	PUERTA EVAPORADOR CRUISE CR49/CR65/CR85/CR130 C.&ELEGANCE DÖRR FÖRÅNGARE CR49/CR65/CR85/CR130 C. & EL
6	SGC00451AA	PUERTA COMPLETA DE ACCESORIOS CR130 CLEAN TOUCH DÖRR CR130 CLEAN TOUCH KOMPLETT
7	SGC00299AA	BARRA ESTANTE PUERTA CR130 C. DÖRRHYLLA MED HÅLLARE CR130 C.
8	SGC00125AA	BARRA SOPORTE METAL PARA ESTANTE PUERTA BAS CR130 METALHÅLLARE FÖR DÖRRHYLLA CR130
9	SGC00038AA	REJILLA INTERIOR CR130/CR195 F151 HYLLA CR130/CR195 (F151)
10	SGC00292AA	DEPOSITO ANTI GOTEIO PARA CR85/CR130 C, DROPP-FAT CR85/CR130 C.
11	SGC00300AA	REJILLA SUPERIOR PEQUEÑA CR130 C. LITEN ÖVRE HYLLA CR130 C.
12	SGC00301AA	CAJON INFERIOR DE PLASTICO BLANCO CR130 C. NEDRE PLASTLÅDA VIT CR85/CR130 C.
13	SGC00047AA	ESTANTE DE CRISTAL CR130 KIT 2 PIEZAS GLASHYLLA CR130 (2 ST)
14	SBE00196AA	SOPORTE DE PLASTICO NEGRO DE PUERTA CR ELEGANCE DÖRRSTÖD I SVART PLAST CR ELEGANCE
15	SGC00022AA	CUBITERA CRUISE ISBIT KIT CRUISE
17	SGD00043AA	KIT COMPLETO TIRADOR PUERTA BRIGHT SILVER CR49/65/85/130 ELEGANCE KIT HANDTAG SILVER KOMPLETT MED FJADER OCH CYLINDER CR ELEGANCE
18	SBE00195AB	BISAGRA INFERIOR CR ELEGANCE NEDRE GÅNGJÄRN CR ELEGANCE
19	SBE00211AA	BASE DE INOX ENGANCHE SUPERIOR CR ELEGANCE FÄSTE I ROSTFRITT STÅL FÖR TOP CR ELEGANCE
22	SEA00093AA	RUEDA REGUL. TERMOSTATO CRUISE 49/65/85/130 DR 49/55/65 C. TERMOSTAT-VRED CRUISE 49/65/85/130 DR49/55/68
23	SBA00002DA	COMPRESOR SECOP BD35F 12/24V SIN CAJA ELECTRONICA KOMPRESSOR SECOP BD35F 12/24V UTAN ELDEL
24	SEC00004DA	KIT DE LUZ INTERNA 12-24V C. BELYSNINGSSARMATUR 12/24V
25	SEG00002DA	CAJA ELECTRONICA DANFOSS/SECOP 101N210 BD35/50F 12/24V ELDEL SECOP 101N0210 BD35/50F 12/24V
25	SEG00030GA	CAJA ELECTRONICA DANFOSS/SECOP BD35F/50FAC/DC 12/24V-115/230V ELDEL SECOP B35F/BD50F AC/DC 12/24V-115/230V
26	SBF00105AA	EVAPORADOR CR85/CR130 C. FÖRÅNGARE CR85/130 C.
27	SEC00038AA	LUZ LED CR49/64/85/130 ELEGANCE LED LAMPA CR49/64/85/130 ELEGANCE
28	SEA00092DA	TERMOSTATO CRUISE 49/65/85/130 C. TERMOSTAT CRUISE 49/65/85/130 C.
29	SBD00122AA	KIT CONDENSADOR CRUISE C. KIT KONDENSOR CR C.
30	SBG00005BA	VENTILADOR 12V LOW SPEED FLÅKT 12V LOW SPEED
31	SGB00193AA	MARCO 3 LADOS INOX FLUSH MOUNTING CR130 CLEAN TOUCH 3 SIDOR RAM INOX FLUSH MOUNTING CR130 CLEAN TOUCH