



Produce fresh ice on board

Serving drinks on board is great. But being able to serve them with ice cubes is even better. Indel Webasto Marine now provides boat owners with the perfect solutions to produce fresh ice on board.

Ice Makers

IceDrink Clear	92
IceDrink White	92
IceDrink White Low Profile	93
IceDrink White BI29	93

Ice Makers

Serving cool drinks on board is great. Indel Webasto Marine now provides boat owners with the perfect solutions to produce fresh ice on board. What's more, by offering different models with different technologies, customers can choose between clear ice and white ice.

The White ice makers, thanks to the combination of the refrigerated cabinet which maintains frozen ice cubes and the exclusive designed condensing ventilation, are ideal for installations in hot climate conditions.

The Clear Ice Maker, thanks to the exclusive Spray technology is capable to produce a large amount of ice cubes up to 18 kg per day. It has the best production capacity ratio of the market, providing high quality ice cubes, compact & crystalline ideal for your cocktail and drinks. It is available as option with an integrated water tank (WT) for the direct supply of mineral water.



Convincing facts for the Isotherm IceDrink Clear:

- Complete stainless steel design
- Production capacity of 18 kg per day
- Spray technology for clear ice
- Available both in 115 V 60 Hz and 230 V 50 or 60 Hz
- Quality cubes: compact, cold and crystalline that drop into the collection bin, (not refrigerated), meeting the ice requirements even at peak demand times
- Front to rear ventilation
- Three flange options for critical space installations

Convincing facts for the Isotherm IceDrink Clear WT:

- Integrated water tank, for the supply of mineral water
- Same external dimensions of the standard Clear Ice version
- Easy to refill, simply by opening the front lid pouring water in the dedicated container



Convincing facts for the Isotherm IceDrink White:

- Available in stainless steel or with white door
- Production capacity of 8 kg per day
- Reliable white ice technology
- Various customization possibilities for different installations just like with the CRUISE classic fridges and freezers
- Front ventilation only
- Refrigerated collection bin to keep the ice cubes frozen



Convincing facts for the Isotherm IceDrink White Low Profile:

- Rear position compressor for a low height profile Ice Maker
- Reliable performing technology, ice production 8 kg per day
- Refrigerated cabinet to store and maintain frozen ice cubes
- High quality stainless steel for outer cockpit applications
- Refined flush installation thanks to a flush 3 sides mounting frame with the 4th one as option
- Exclusive designed condensing forced ventilation to grant maximum performances in hot conditions
- Extra compact dimensions in height
- Ideal for installation in critical areas where the height is limited

Convincing facts for the Isotherm IceDrink White BI29:

- Sturdy built in design casing
- Refrigerated cabinet to store and maintain frozen ice cubes
- Stainless steel inner-lining and plastic bottom section
- Ice-production capacity of 4 kg per day
- Extra low profile, to easily fit in cockpit applications or below seats
- Equipped with extra-long roller slides, to use the box as a drawer



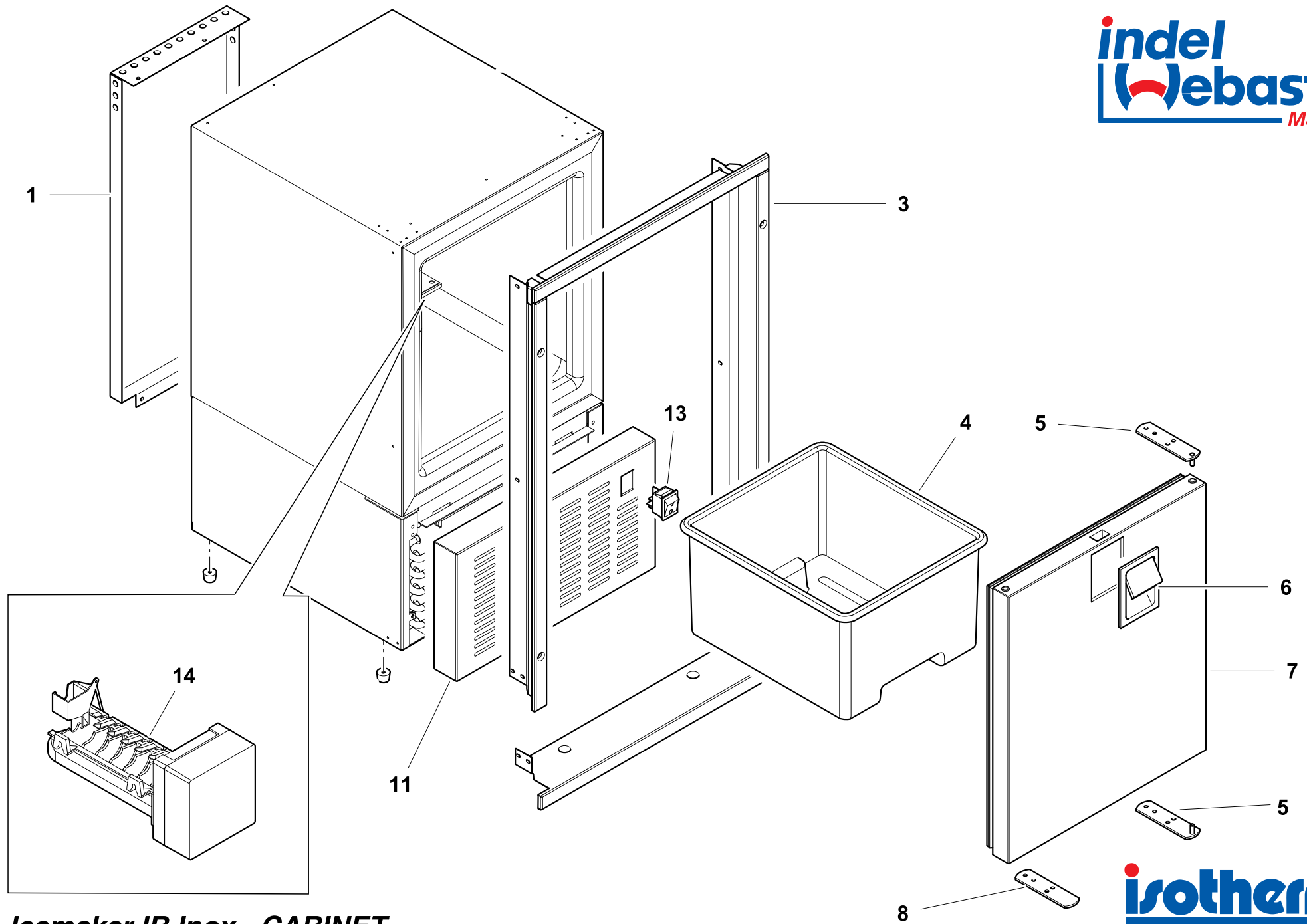
Product Overview: Isotherm IceDrink Ice Makers

Type	Gross volume (l)	Dimensions W x H x D (mm)	Weight (kg)	Power consumption (Watt)	Power Supply (Volt /Hz)
IceDrink Clear / IceDrink Clear WT	4	355 x 584 x 430	29	320	230 V AC - 50Hz or 115 V AC - 60 Hz
Water Kit for IceDrink Clear	15	380x 140 x 290	3,5	11,5	230 V AC - 50Hz or 115 V AC - 60 Hz
IceDrink White, White Door	12	355 x 630 x 420*	26	180	230 V AC - 50 Hz
IceDrink White Inox	12	375 x 630 x 460**	27	180	230 V AC - 50 Hz
IceDrink White Low Profile	12	370 x 475 x 630	26	180	230 V AC - 50Hz or 115 V AC - 60 Hz
IceDrink White BI29	14	363 x 375 x 730	26	180	230 V AC - 50Hz or 115 V AC - 60 Hz

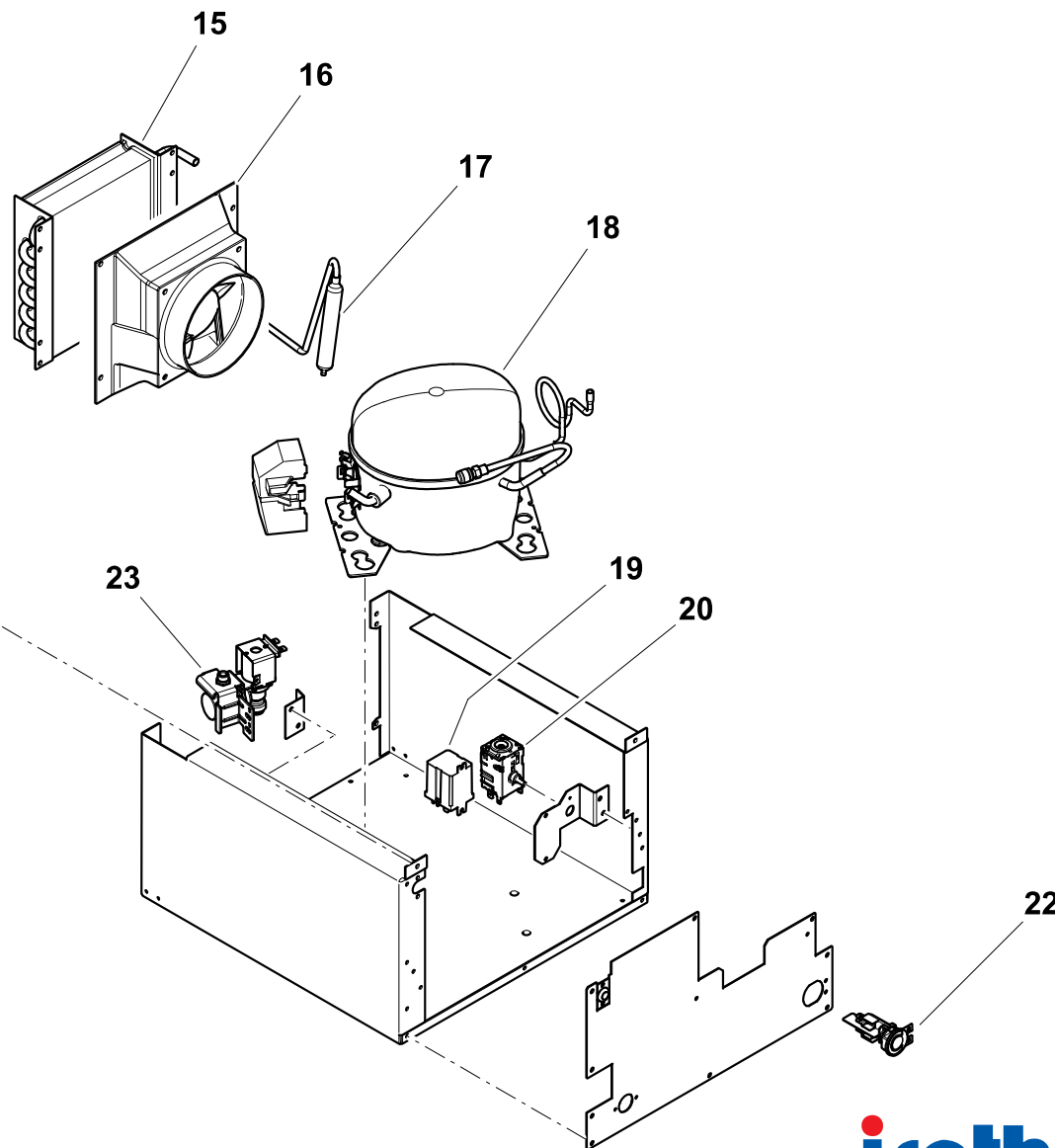
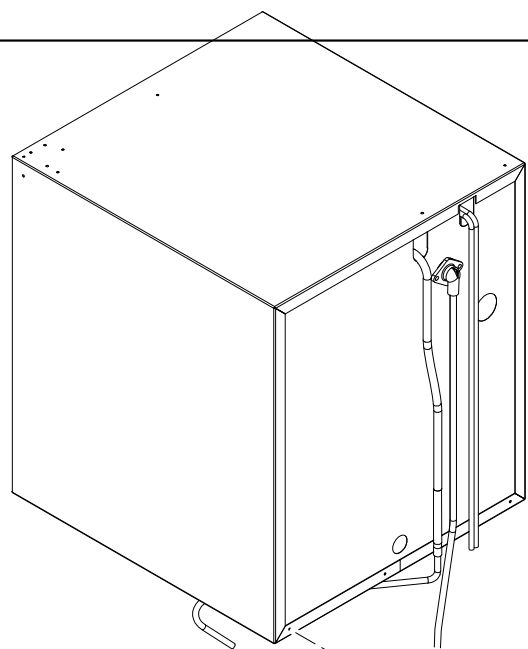
* Door thickness (to be added): 440 mm ** Width IceDrink White Inox frame 20 mm per side

TYPE	ORDER NUMBER	DESCRIPTION
IceDrink Clear	5S21A11A00000	ICE MAKER „CLEAR“ 230V/50HZ INOX SPRAY TYPE
	5S21A14A00000	ICE MAKER „CLEAR“ 115V/60HZ INOX SPRAY TYPE
Water Kit IceDrink Clear	SGG00001LA	WATER KIT 15L FOR ICE MAKER 220V
	SGG00002MA	WATER KIT 15L FOR ICE MAKER 115V
IceDrink Clear WT	5S21A11A00000WT	ICE MAKER „CLEAR WT“ 230V/50HZ INOX SPRAY TYPE
	5S21A14A00000WT	ICE MAKER „CLEAR WT“ 115V/60HZ INOX SPRAY TYPE
Ice Maker White Ice	5W08A21CGN000	ICE MAKER „WHITE ICE“ 230V/50Hz FULL WHITE WITH 3-SIDE FRAME
	5W08A24CEN001	ICE MAKER „WHITE ICE“ 115V/60Hz FULL WHITE WITH 3-SIDE FRAME
	5W08A11IMN000	ICE MAKER „WHITE ICE“ INOX 230V/50Hz WITH 3-SIDE FM INOX FRAME
	5W08A14IMN000	ICE MAKER „WHITE ICE“ INOX 115V/60Hz WITH 3-SIDE FM INOX FRAME
	5W08L11IMN000	ICE MAKER „WHITE ICE LOW PROFILE“ INOX 230V/50Hz WITH 3-SIDE INOX FLUSH MOUNTIG FRAME
	5W08L14IMN000	ICE MAKER „WHITE ICE LOW PROFILE“ INOX 115V/60Hz WITH 3-SIDE INOX FLUSH MOUNTIG FRAME
BI29 Ice Maker	5W29A21CAN000	ICE MAKER BI29 “WHITE ICE” 230V/50Hz
	5W29A24CAN000	ICE MAKER BI29 “WHITE ICE” 115V/60Hz

NUMERO NUMBER	CODICE ARTICOLO ITEM CODE	DESCRIZIONE ARTICOLO ITEM DESCRIPTION
1	SBE00186AA	CARENATURA POSTERIORE ICEMAKER WHITE BACK FAIRING ICEMAKER WHITE
3	SGB00125AA	FLANGIA FM 3-LATI INOX PER ICEMAKER WHITE INOX 3-SIDE FLUSH MOUNTING FRAME INOX FOR ICEMAKER WHITE INOX
4	SGC00350AA	CASSETTO PLASTICA PER GHIACCIO ICEMAKER WHITE ICECUBE PLASTIC DRAWER FOR ICEMAKER WHITE
5	SBE00068AA	CERNIERA INOX TUTTI CR VER. INOX + CR40 CUBIC + (CR49 CR65 CR85 CR130 C.) HINGE INOX FOR ALL VER. INOX TYPE + CR40 CUBIC +(CR49 CR65 CR85 CR130 C.)
6	SGD00012AA	MANIGLIA INOX "CRUISE INOX" INOX HANDLE/LOCKER FOR "CRUISE INOX"
7	SGC00351AA	PORTA INOX ICEMAKER WHITE INOX DOOR FOR ICEMAKER WHITE
8	SGB00112AA	SOSTEGNO INOX CONTROPORTA CRUISE 49/65/85/130 C. ICEM WHITE DOOR SUPPORT CRUISE 49/65/85/130 C. ICEM WHITE
11	SGC00353AA	GRIGLIA ANTERIORE VENTILAZIONE INOX PER ICEMAKER WHITE INOX FRONT INOX VENTILATION GRID FOR ICEMAKER WHITE INOX
13	SEC00026AA	INTERRUTTORE ACCESSIONE ICEMAKER WHITE POWER SWITCH FOR ICEMAKER WHITE
14	SBD00113AA	KIT PRODUTTORE GHIACCIO 230V PER ICEMAKER WHITE ICEMAKER 230V KIT FOR WHITE ICEMAKER
14	SBD00127MA	KIT PRODUTTORE GHIACCIO 115V PER ICEMAKER WHITE ICEMAKER 115V KIT FOR WHITE ICEMAKER
15	SBD00125AA	CONDENSATORE LAMELLARE ICEMAKER WHITE LAMELLAR CONDENSER FOR ICEMAKER WHITE
16	SBG00034LA	VENTOLA 230V 120x120x25 CON CONVOGLIATORE ARIA PER ICEMAKER WHITE FAN 230V 120x120x25 WITH PLASTIC AIR GUDIE FOR ICEMAKER WHITE
16	SBG00034MA	VENTOLA 115V 120x120x25 CON CONVOGLIATORE ARIA PER ICEMAKER WHITE FAN 115V 120x120x25 WITH PLASTIC AIR GUDIE FOR ICEMAKER WHITE
17	SBD00123AA	FILTRO 10Gr PER ICEMAKER WHITE TUBO 6+2mm FILTER 10Gr FOR ICEMAKER WHITE 6+2
18	SBA00045LA	COMPRESSORE DANFOSS TL102G PER ICEMAKER WHITE 230V DANFOSS COMPRESSOR TL102G FOR ICEMAKER WHITE 230V
18	SBA00045MA	COMPRESSORE DANFOSS TL102G PER ICEMAKER WHITE 115V DANFOSS COMPRESSOR TL102G FOR ICEMAKER WHITE 115V
19	SED00026LA	RELAY DI POTENZA PER ICEMAKER WHITE 230V POWER RELAY FOR ICEMAKER WHITE 230V
19	SED00026MA	RELAY DI POTENZA PER ICEMAKER WHITE 115V POWER RELAY FOR ICEMAKER WHITE 115V
20	SEA00031DA	TERM CR36/49/50/65/100/120/DR130/DR85/BI135/(85/130 fino 2008, BI41 fino 2010)/DR49 G112 THERM CR36/49/50/65/100/120/DR130/DR85/BI135/(85/130 till 2008, BI41 till 2010)/DR49 G112
22	SEB00136AA	CONNETTORE CAVO ALIMENTAZIONE CON BLOCCACAVO PER ICEMAKER WHITE POWER CABLE CONNECTOR FOR ICEMAKER WHITE
23	SFD00032LA	ELETTROVALVOLA ACQUA 230V ICEMAKER WHITE SOLENOIDE VALVE WATER 230V FOR ICEMAKER WHITE
23	SFD00032MA	ELETTROVALVOLA ACQUA 115V ICEMAKER WHITE SOLENOIDE VALVE WATER 115V FOR ICEMAKER WHITE



Icemaker IB Inox - CABINET



Icemaker IB Inox - COOLING UNIT