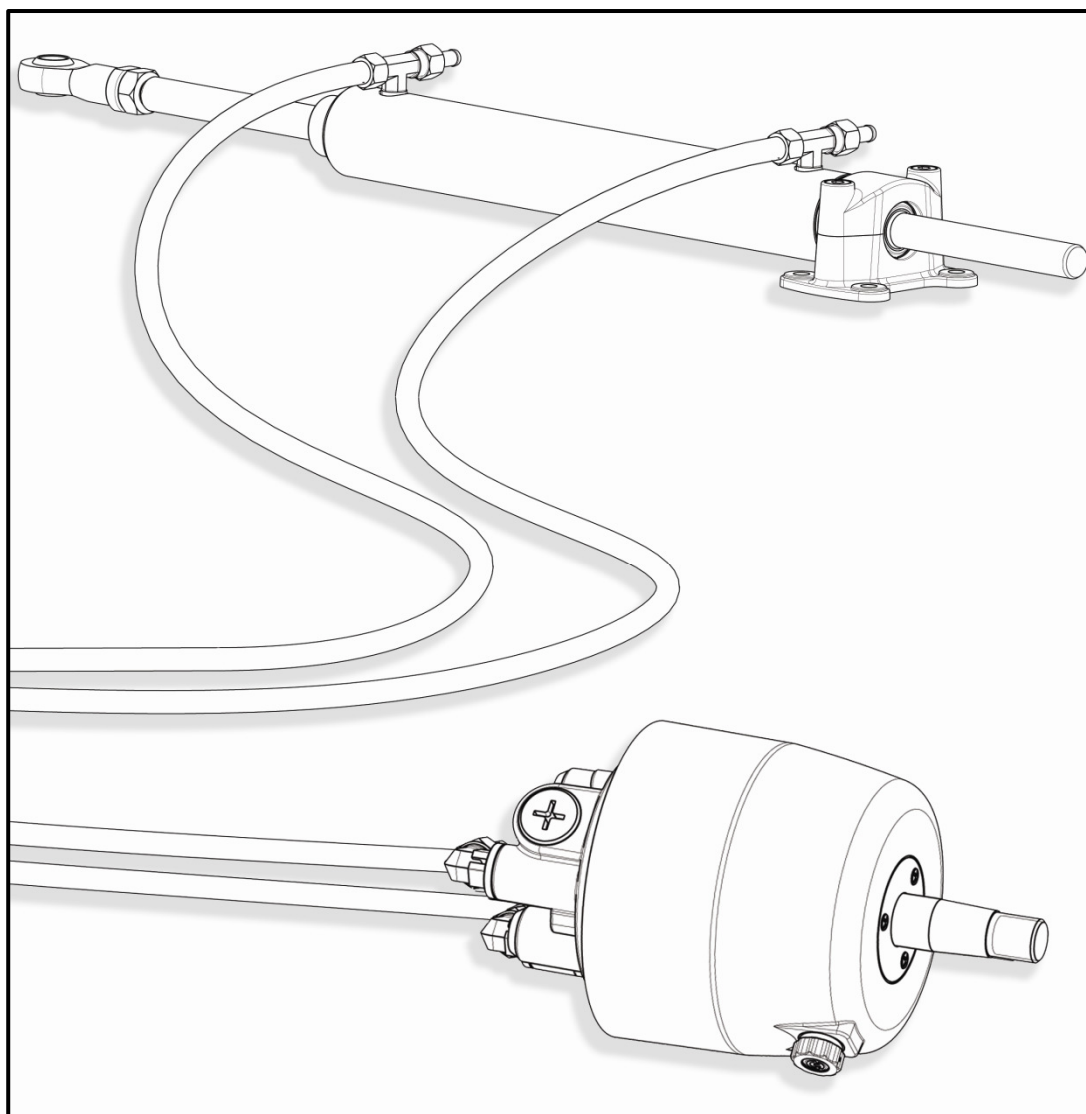




HYDRAULIC STEERING SYSTEMS

INSTRUCTION MANUAL FOR INSTALLER AND OWNER



www.rivieragenova.it

INDEX

GENERAL SAFETY RULES.....	page 3
GENERAL WARRANTY CONDITIONS.....	page 4
SINGLE STATION SYSTEM DIAGRAM.....	page 5
MULTIPLE STATION SYSTEM DIAGRAM.....	page 6
STEERING AND DIMENSIONS INSTALLATION.....	page 7
SEMI-RECESSED ASSEMBLY.....	page 8
POWER STEERING DIMENSIONS.....	page 9
CYLINDER INSTALLATION.....	page 10
BALANCED INBOARD CYLINDER INSTALLATION.....	page 10
BALANCED OUTBOARD CYLINDER INSTALLATION.....	page 12
PIPE CONNECTION.....	page 13
STEERING HELM CONNECTION.....	page 14
FILLING AND BLEEDING.....	page 15
SINGLE GUIDE with SINGLE CYLINDER (FIXED ROD).....	page 16
SINGLE GUIDE with SINGLE CYLINDER (MOVABLE ROD).....	page 17
MULTIPLE GUIDE with CYLINDER / CYLINDERS (FIXED ROD / S)	page 18
MULTIPLE GUIDE with CYLINDER / CYLINDERS (MOBILE ROD / S).....	page 18
SUMMARY OF WARNINGS AND MAINTENANCE.....	pag. 20
TECHNICAL FEATURES.....	pag. 21
FAULTS DETECTING.....	pag. 22

GENERAL SAFETY RULES

Read carefully and obey the warnings below.

Riviera s.r.l. Genoa is not liable for damage caused to things or people due to modification, improper use or incorrect installation of its products.

It also reserves the right, if it deems it necessary, to make changes at any time to its products to improve their operation.

STOCKING:

- Store the products in environments with temperatures between -40 ° C (-14 ° F) and + 85 ° C (+ 211 ° F).
- Handle only with suitable means or machinery not to compromise its operation.
- Periodically check the state of conservation of the products in the warehouse to avoid deterioration.

INSTALLATION:

- Check the integrity of the packaging; any damage resulting from transport could compromise the correct functioning of the hydraulic steering equipment.
- The installation of this equipment must be carried out EXCLUSIVELY by qualified personnel after careful reading of this manual.
- Any system malfunctions must be reported immediately to the qualified personnel who installed it.
- In case of breakdown or failure, shut down the system immediately.
Restart the system only after eliminating the cause of the fault, with the authorization of qualified personnel.
- Tampering or eliminating security systems constitutes a crime.
- Riviera s.r.l. Genova assumes no responsibility deriving from the modification of its products by third parties; this intervention causes immediate forfeiture of the guarantee
- The components can only be replaced with original Riviera spare parts.
failure to comply with this rule leads to immediate forfeiture of the guarantee.
- The adaptation of the system to any subsequent revisions after installation is the responsibility of the owner.
- In case of purchase of a used steering equipment, the burden of verifying compliance with current regulations is borne by the buyer.
- Keep this manual even after installation; in case of wear or loss, request a replacement copy.

It is recommended to dispose of installation waste products (oils, solvents, greases, etc.) in compliance with the laws in force.

GENERAL WARRANTY CONDITIONS

RIVIERA S.R.L. GENOVA guarantees that its products are built in a workmanlike manner and free from manufacturing and material defects.

If within twenty-four months from the date of manufacture the equipment should show operating defects, RIVIERA S.R.L. GENOVA will repair or replace it, according to its exclusive judgment, free of charge.

This warranty is not valid in the event of damage caused by accidental breakage, incorrect installation or negligent or improper use.

The warranty does not cover any costs deriving from assembly or disassembly of products, transport of the same and expenses for technical personnel, even if attributable to manufacturing defects.

The components of the system are marked according to EU directive 94/25 and ISO 10592.

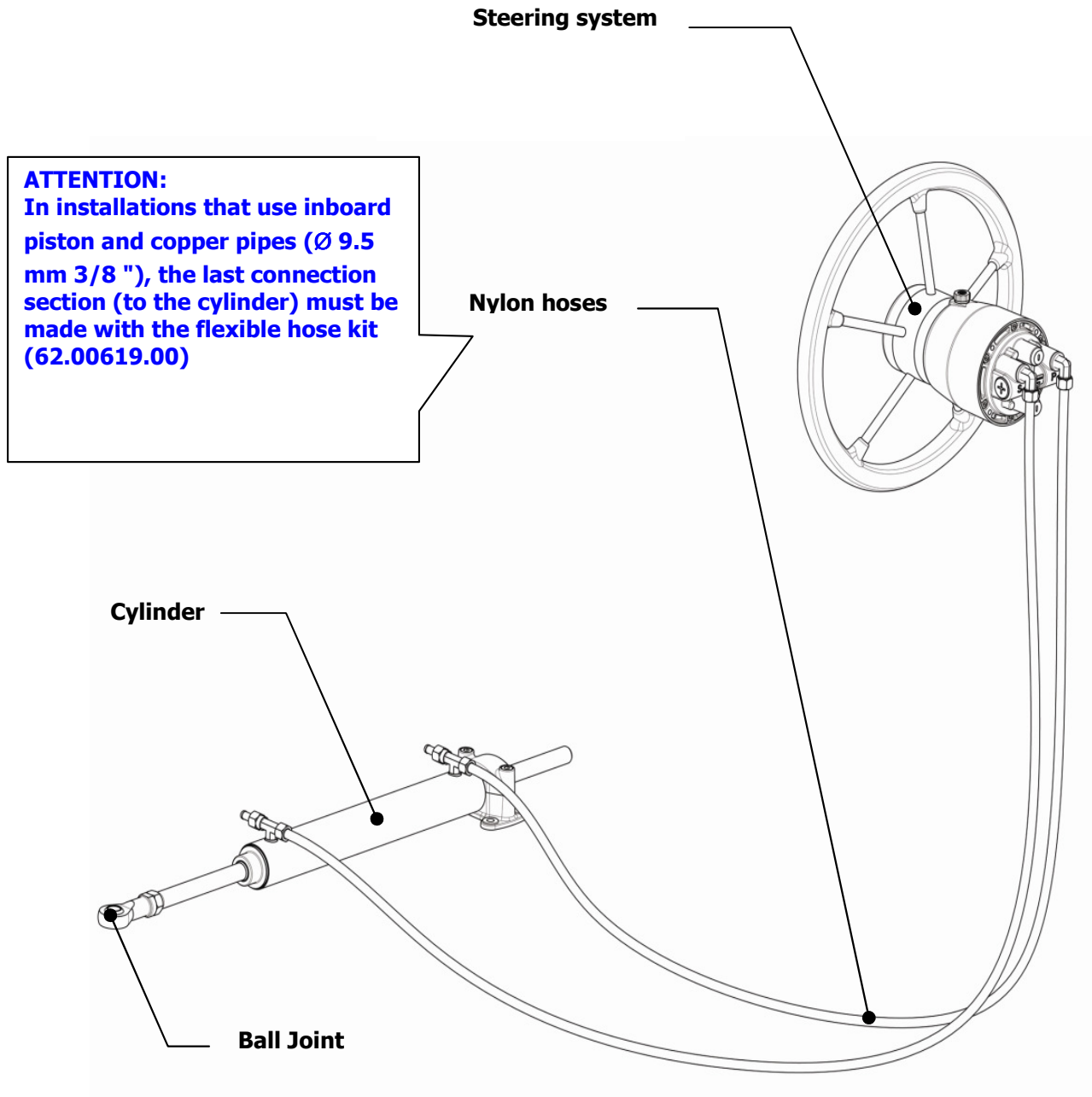
On certified boats it is mandatory to install steering systems whose components are equally marked.

In this regard, RIVIERA S.R.L. GENOVA is not liable for its products if coupled, for the realization of a guide system, to products not equally certified.

DISPUTES

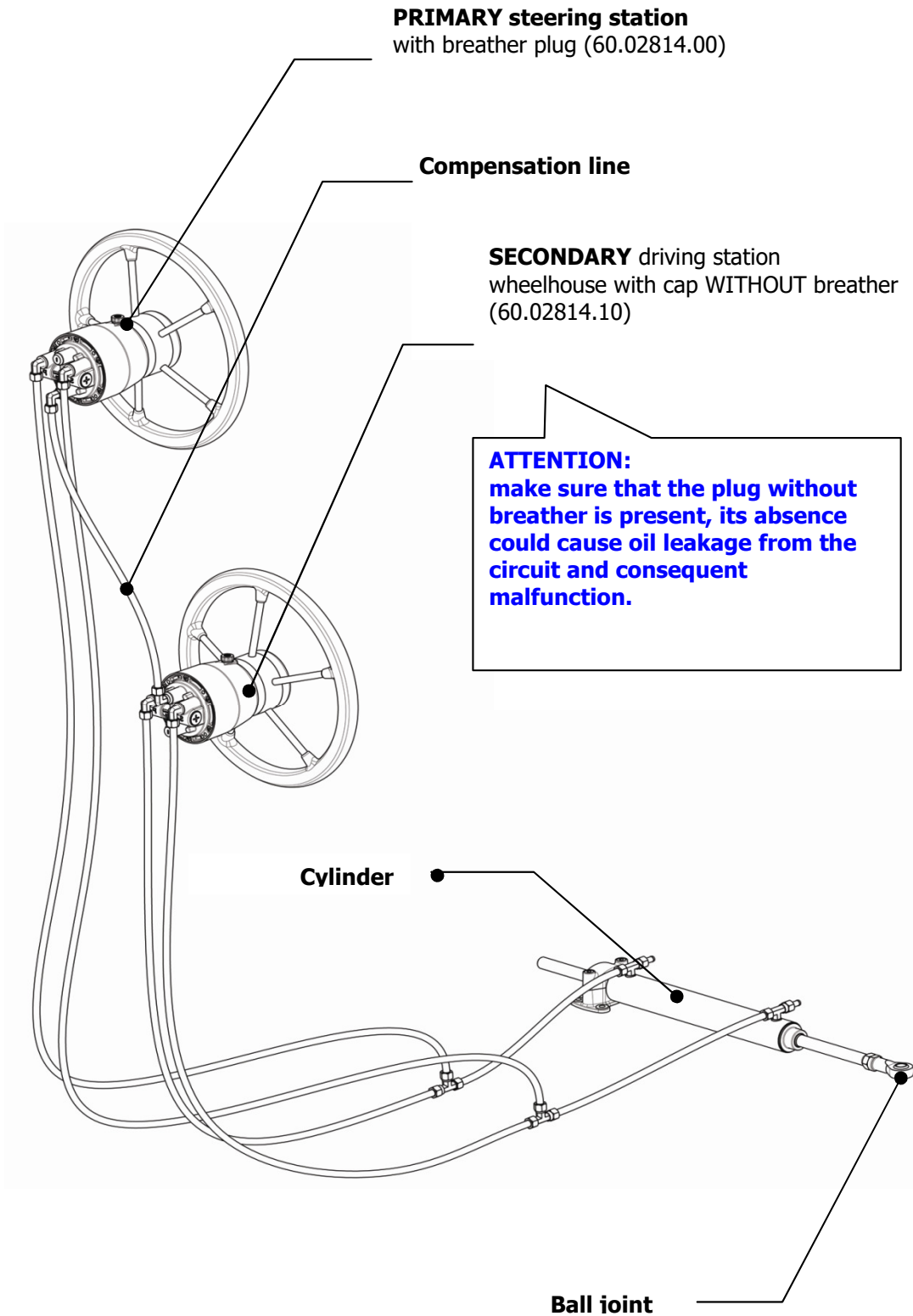
In the event of any disputes, the competent court is the court of Genoa.

SINGLE STEERING SYSTEM



MULTIPLE STEERING STATION SYSTEM

(with the exception of art. 62.00866.00)



INSTALLING THE STEERING SYSTEM

Installations other than those specified by the kit used are NOT allowed:

- Semi-recessed installation 62.00600.00; 62.00601.00; 62.00602.00; 62.00866.00

The steering helm unit can be mounted on horizontal or vertical surfaces as well as in any intermediate inclined position.

For correct installation of the steering helm unit on the dashboard, always respect the following:

- Make sure that the oil tank cap is oriented UPWARDS of the wheelhouse itself in order to prevent any oil leaks
- Refer to the specific assembly instructions for the model purchased (and specific drilling template)
- Read the instructions in the instruction manual carefully.
- Use only original components included in the package.



IMPORTANT:

In order for the steering helm unit to function correctly, use only self-locking nuts for its installation on the dashboard (included in the package).

For correct tightening of the conical fittings, use only sealant such as Loctite 542 or Loctite 545.

The use of different materials such as Teflon or generic adhesive tape could affect the correct functioning of the steering helm unit itself.

In this regard, it is also important to check that the liquid sealant used is not introduced into the circuit.

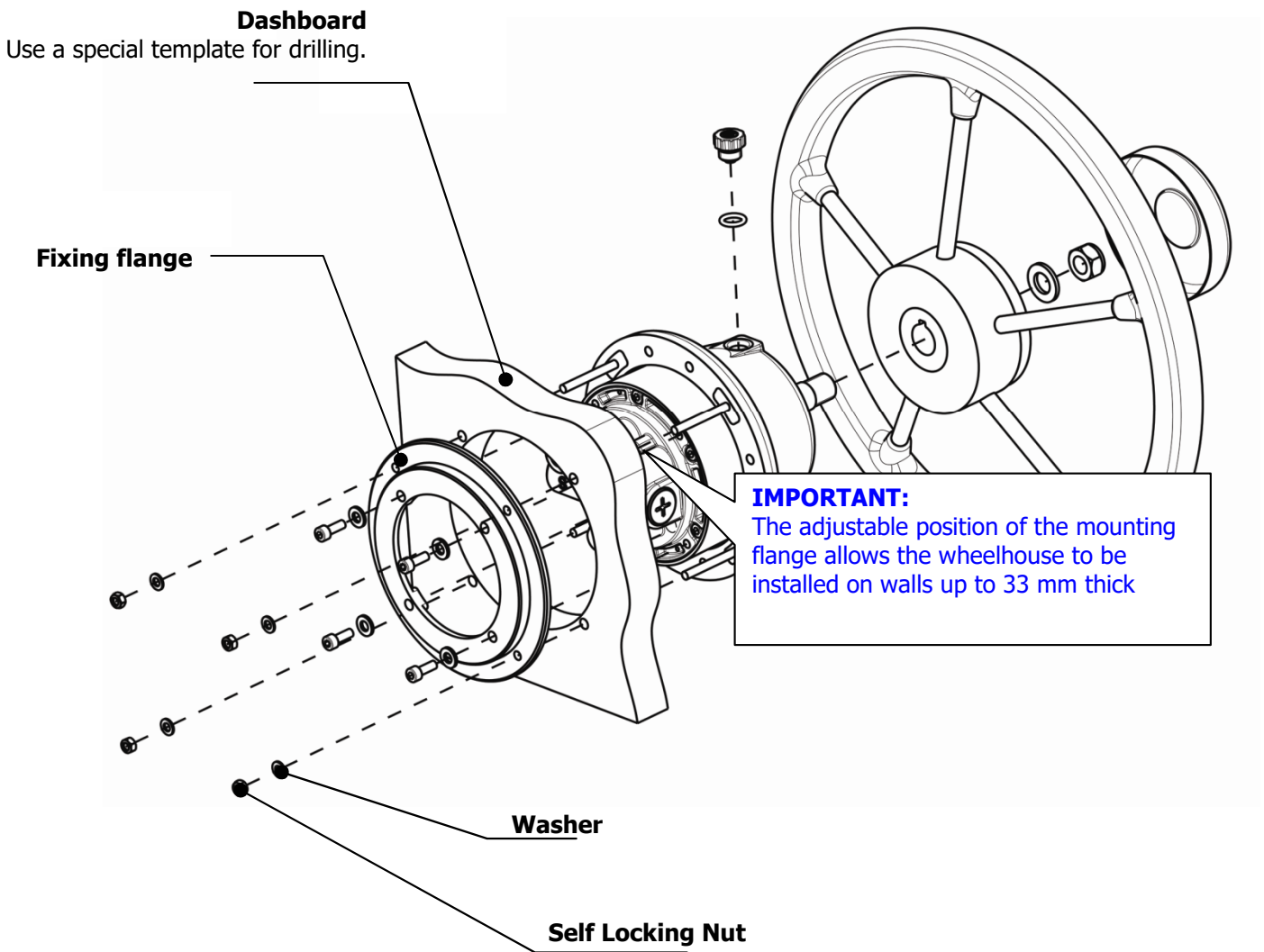
- **Insert the fittings by hand and turn them until they are completely inserted.**
- **Tighten again with a suitable wrench from 1 ½ to 2 ½ turns, orienting the fitting according to the installation requirements of the pipes.**

NEVER exceed a tightening torque of 17.6 N / m

DIMENSIONS & CHARACTERISTICS

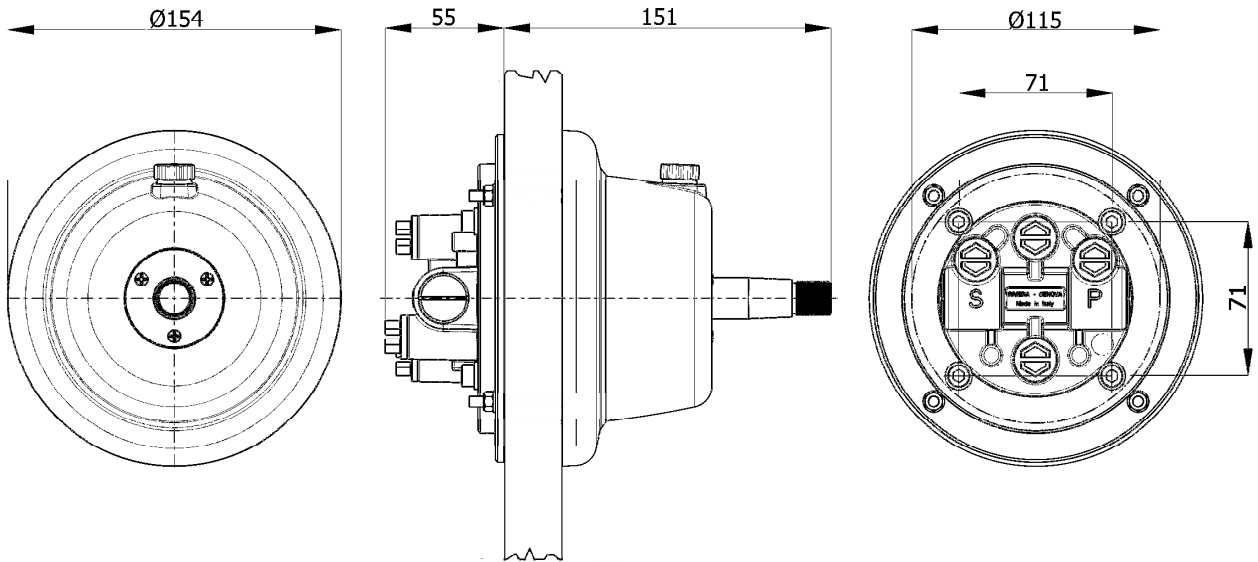
SEMI FLUSH MOUNTING

(item codes 62.00600.00 ; 62.00601.00 ; 62.00602.00 ; 62.00866.00)

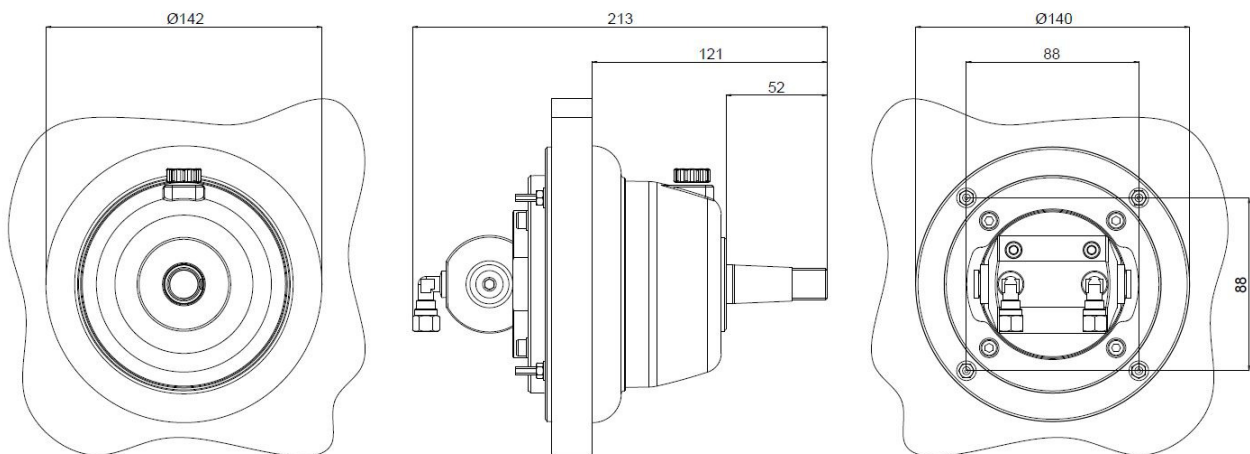


DIMENSIONS

60.00600.00 – 60.00601.00 – 60.00602.00



60.00866.00



STEERING CYLINDER INSTALLATION

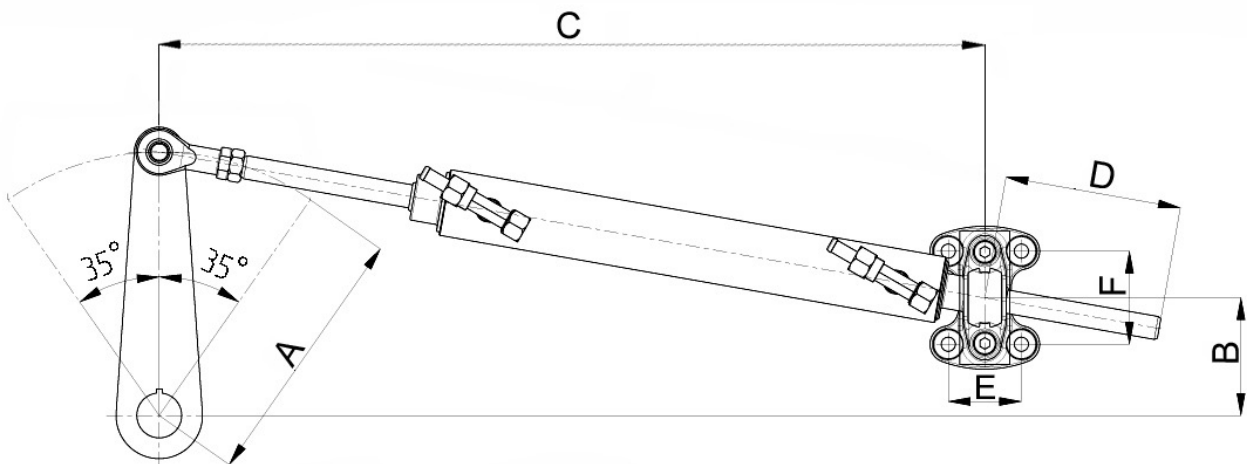
To ensure the correct functioning of the cylinder, as well as the duration over time of gaskets and other wear parts, it is necessary to pay close attention during assembly.

Below is a diagram showing the correct installation method:



The letters A and B represent the end points of the tiller.
Align the hypothetical straight line passing through points A and B with the axis of the cylinder.

INBOARD BALANCED CYLINDERS



Model	Stroke		A		B		C		D		E		F	
	mm	inch	mm	inch	mm	inch	mm	inch	mm	inch	mm	inch	mm	inch
62-00584-00	178	7	155	6.1	127	5	499	19.6	109.5	4.3	44	1.7	56	2.2
62-00591-00	150	5.9	131	5.1	107	4.2	458	18	96.5	3.8	44	1.7	56	2.2



IMPORTANT

- The assembly of the piston on the boat must be carried out, if possible, by using through bolts to be preferred to self-tapping screws.
- The fittings for the pipes must be placed in a high position: if the nature of the installation makes it impossible, the cylinder must be fixed in position only AFTER having performed all the filling and bleeding procedures of the system listed below.
- Adequately protect the cylinder rod from accidental impacts that could affect correct operation.
- In the event of corrosion of one or more parts (possible if the cylinder is used in particularly corrosive environments), intervene in time by replacing the damaged parts.

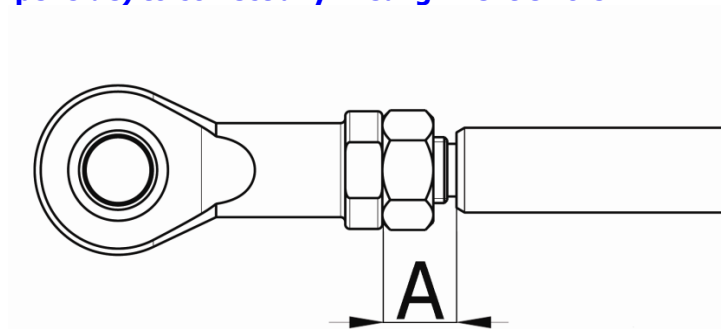
INSTALLATION

- Align the rudder to the fore-aft axis.
- Loosen the pipe fittings
- Place the cylinder on the boat referring to dimensions "B", "C" and "D" of the diagram above.
- Secure the mounting of the bracket on the cylinder with 4 through bolts and the same number of self-locking nuts. (not included); use only stainless steel screws
- Check the freedom of movement of the piston by turning the tiller fully. In the end-of-stroke positions, the piston axis must be horizontal.



IMPORTANT

The dimensions indicated with the letters C and D are calculated assuming the ball joint in a central position with respect to its own adjustment area: it is therefore possible to record its position (up to 3 mm per side) to correct any misalignment errors.



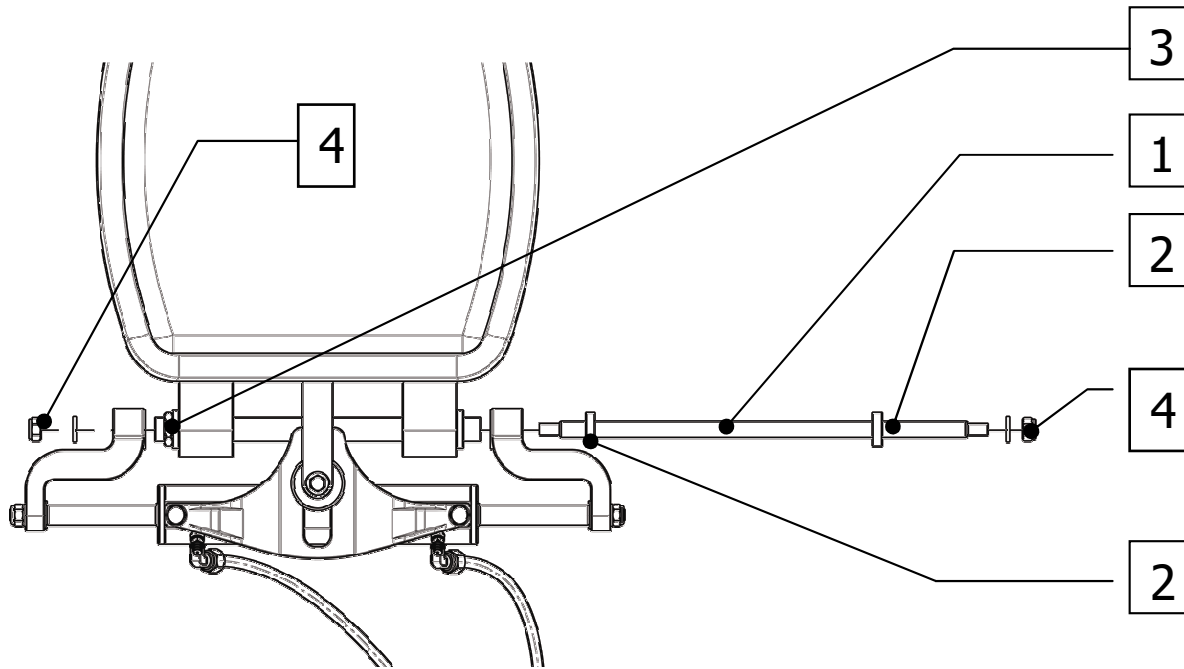
Dimension "A" must NEVER be greater than 18 mm



OUTBOARD BALANCED CYLINDERS

The balanced outboard cylinders DO NOT require supports or supports to be fixed to the hull.

Pre-lubricate the inside of the tube on the engine, then insert the bar (1) and sufficient plastic spacers (2) until the cylinder is centered with the motor axis. Then lock the cylinder itself in this position by acting on the nut (3) to recover any remaining play. Secure the bar (1) to the rest of the cylinder using suitable washers and self-locking nuts (4).



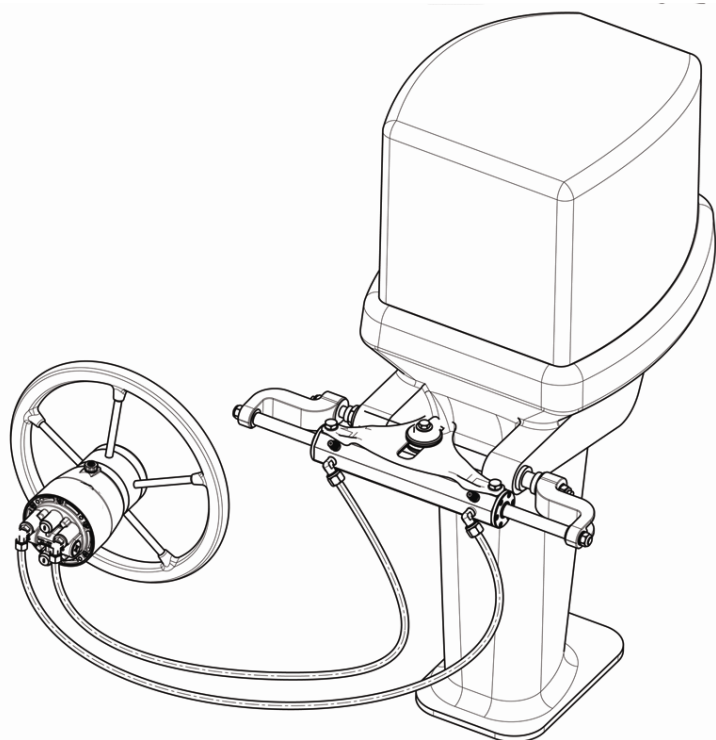
Then connect the pipes as shown in the figure.

Connect the tiller to the bracket using the appropriate screws included.



IMPORTANT

**TIGHTEN the self-braking bolts (4),
BUT WITHOUT PREVENTING the
cylinder from tilting from bottom to top.**



HOSE INSTALLATION

The connections between the helm and the cylinder and any additional control stations must be made using Riviera flexible pipes or copper pipes

N.B. The final section of connection to the outboard cylinder must be made exclusively with Riviera flexible pipes to allow movement.

N.B. In order to avoid excessive pressure drops, the connections must be as short as possible, AVOIDING anyway making bends with a radius of less than 50 mm.

FOR A CORRECT INSTALLATION OF THE PIPES, FOLLOW THE FOLLOWING:

- Arrange the pipes at a safe distance from heat sources or chemicals.
- Ensure the pipes have a minimum slope capable of facilitating the escape of air during filling.
- Check the integrity of the pipe along the entire path (protect the pipe with special bulkheads if necessary), avoid dents or section reductions due to bending.
- Work in an environment that is as clean as possible to avoid any type of inclusion in the circuit;



IMPORTANT

The protective caps applied to the fittings must be removed contextually with the installation.

Check that the ends of the pipes (if using pipes without a terminal) are clean and free from burrs;

Reduce the size of the pipe, if necessary, by using cutters, cutters or special pipe cutters (copper pipe) do not use serrated blade tools.

Fix the pipes at regular intervals using non metallic type brackets.

CONNECTION TO CYLINDERS

The RIVIERA hydraulic cylinders are prearranged with ¼ "NPT pitch fittings.

Use a flexible or copper pipe with an external diameter of 10 mm or a pipe terminated with specific fittings.

HOSE CONNECTION WITHOUT TERMINAL

1. unscrew the union nut on the cylinder and remove the protection cap.
2. Insert the nut on the pipe and the pipe inside the fitting bringing it to the stop.
3. Secure the assembly by screwing the nut with a special wrench (not supplied).

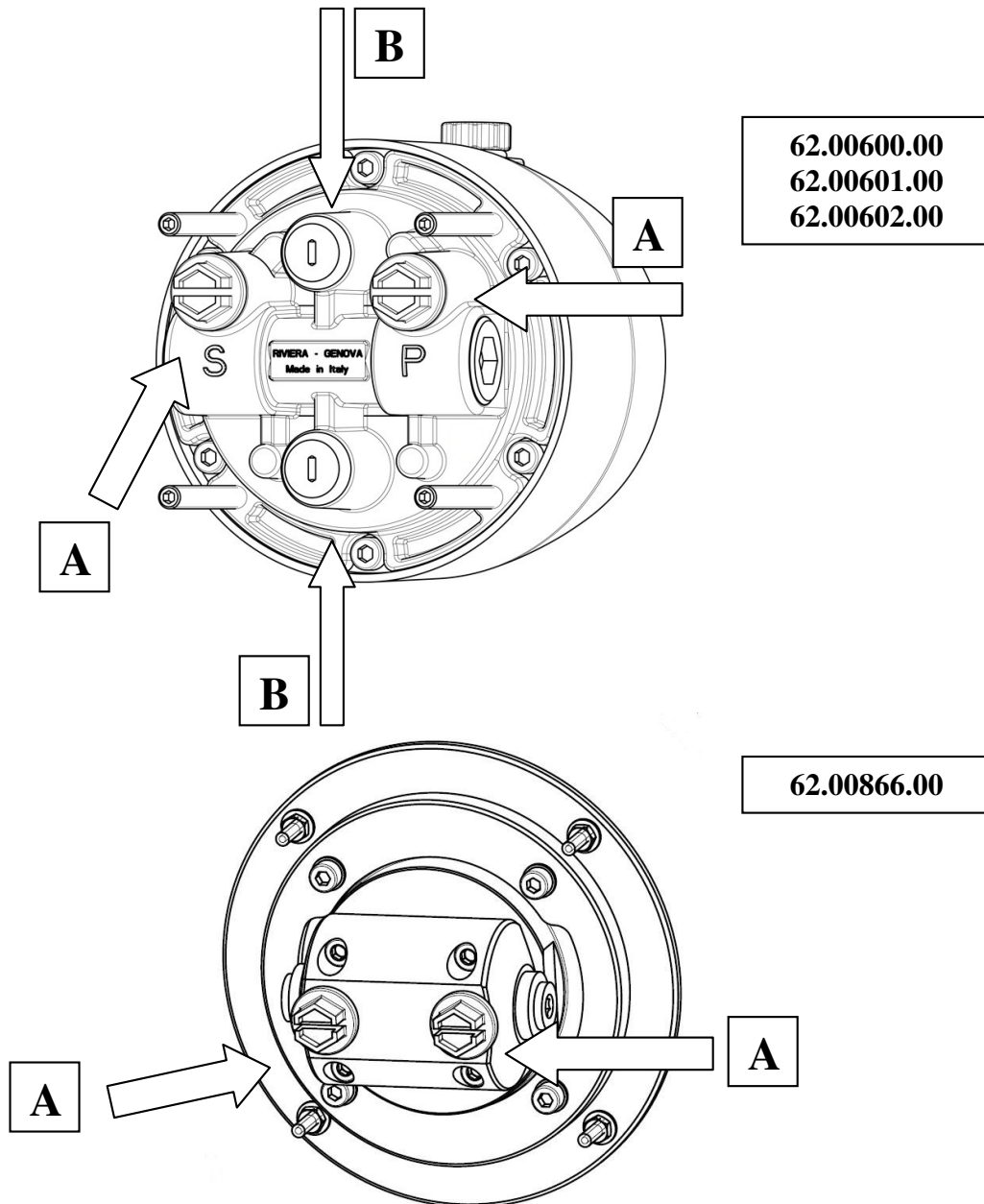
HOSE CONECTION WITH TERMINAL

1. Unscrew the union nut on the cylinder and remove the protection cap.
2. Remove the terminal protection cap on the tube
3. Insert the nut into the terminal and the terminal inside the fitting up to the stop.
4. Secure assembly by screwing the nut with the appropriate wrench (not supplied).

STEERING HELM CONNECTION

Remove the caps (yellow colored marked with the letter A in the figure) to connect the steering helm unit to the hydraulic piston.

Remove the caps (black color) indicated with the letter B in figure 1 ONLY to connect the helm to any additional stations. Use mastic type Loctite 542 or equivalent to ensure the tightness of the fittings



ATTENTION:

The tightness of the fittings must be ensured only by using liquid materials such as Loctite or similar. The use of insulating tape or Teflon could affect the proper functioning of the wheelhouse or damage it permanently. Also avoid the introduction of the liquid sealing material used into the circuit.

FILLING THE CIRCUIT AND BLEEDING

Use "HYDRAX 15" to fill the Riviera oil circuit

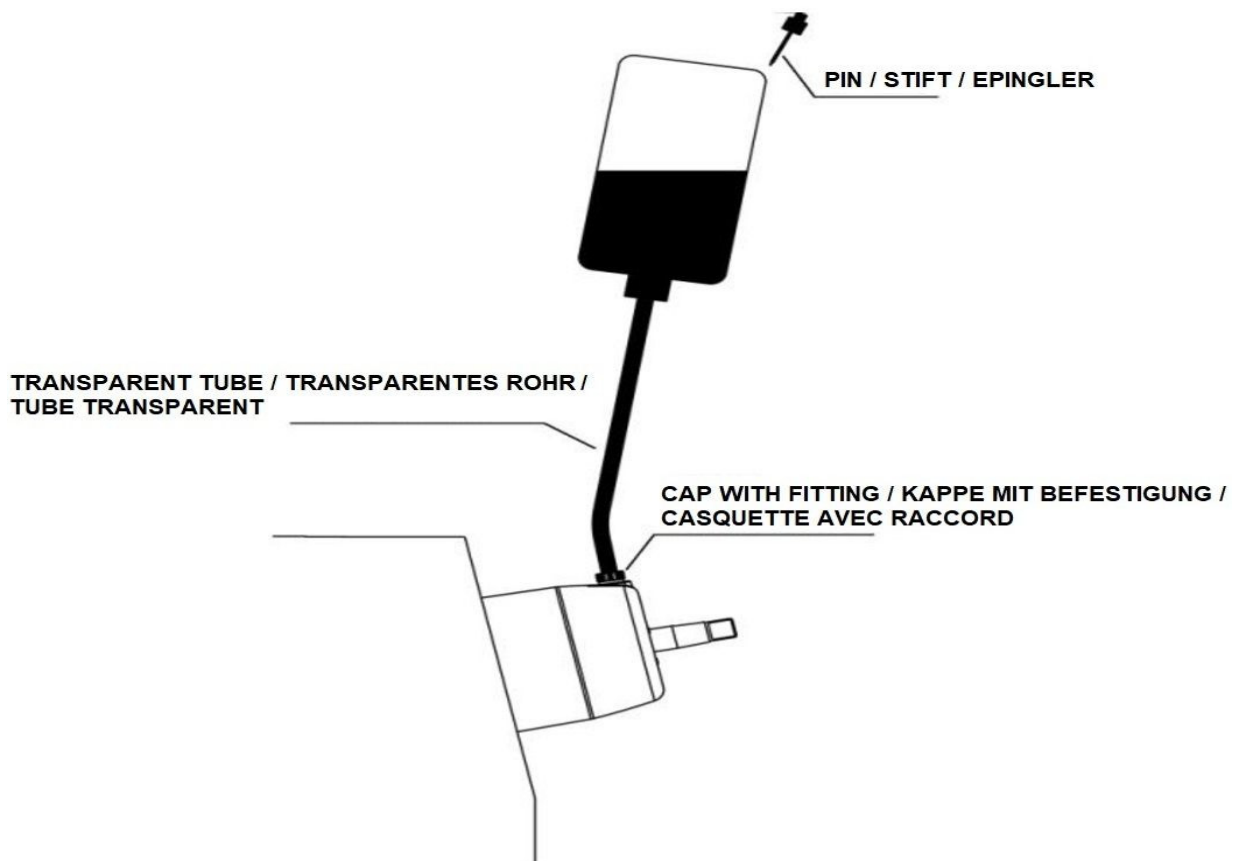
N.B. the filling process must start from the wheelhouse.

In the case of installations with several command stations (NOT POSSIBLE WITH art. 62.00844.00), start from the one located at the bottom, then proceeding upwards towards the following stations.

Once the lowest station (s) have been filled, use the oil tank cap WITHOUT VENT (art. 60.02814.10).

This operation must be repeated in all control stations, taking care to use the oil tank cap FITTED with BREATHER (art. 60.02814.00) EXCLUSIVELY in the top one.

- Replace the oil tank cap with the appropriate threaded hose holder supplied with the filling kit (62-00597-00).
- Connect the transparent tube supplied to the end of the threaded tube holder.
- Replace the oil container cap with the specific one (white) for connection to the transparent tube.
- Connect the transparent tube to the end of the cap.
- Lift the oil bottle above the level of the cap and drill a hole in the bottom of the same with the special pin supplied.



SINGLE STEERING STATION SYSTEM

CONNECTION TO CYLINDER WITH FIXED ROD.

(item codes 62.00583.00 / 62.00593.00)

Connect the oil bottle to the wheelhouse as described above.

Fill the wheelhouse tank completely (oil visible in the transparent tube), checking for the absence of air bubbles.

The transparent tube must remain full for the entire duration of the operation, in the event that the contents of the bottle are not enough to replace it with a new one.

ATTENTION:

The rotation of the steering wheel during the filling operations must be done SLOWLY; the excessive speed in the maneuver of the same could form foam inside the circuit.

In this case it is recommended to wait at least 24 hours before proceeding with the following operations.

Refer to diagram 1

1. Open the bleed valve on the piston (picture 2) and rotate the steering wheel as shown until the air is completely eliminated: ONLY oil should come out of the valve.
2. Close the valve and continue to turn the steering wheel in the SAME direction until it reaches the end stop (picture 3).
3. Open the second bleed valve and rotate the steering wheel in the opposite direction to the previous one until the air completely escapes from the valve (picture 4).
4. Close the valve and continue to turn the steering wheel in the same direction until it reaches the limit stop (picture 5).
5. repeat the previous operations until the total elimination of residual air from the circuit (picture 6)

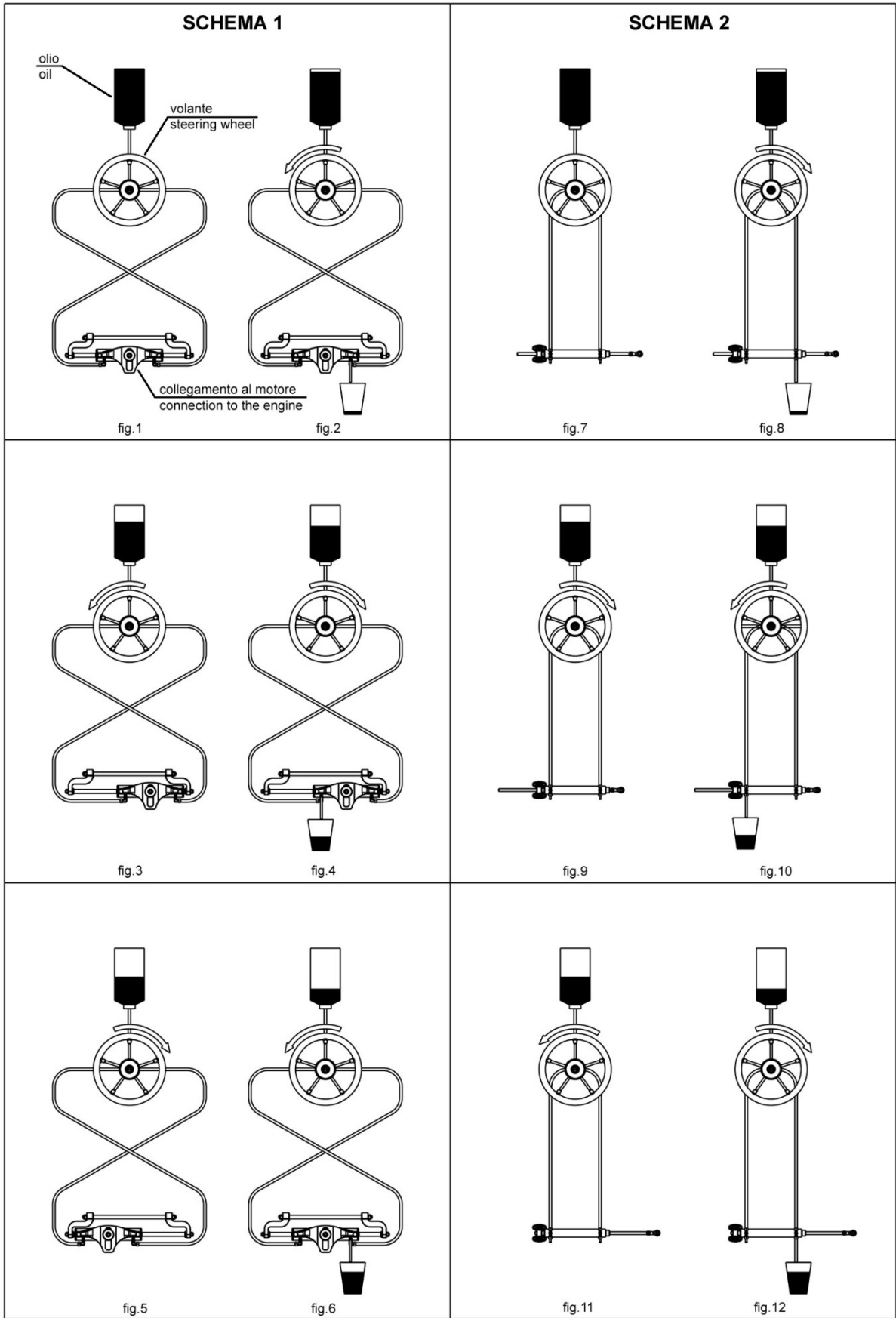
CONNECTION TO CYLINDER WITH MOBILE ROD

(item codes 62.00584.00 / 62.00591.00 / 62.00867.00 / 62.00868.00)

Refer to diagram 2

1. Open the bleed valve on the piston (picture 8) and rotate the steering wheel as illustrated until the air is completely eliminated: ONLY oil should come out of the valve.
2. Close the valve and continue to turn the steering wheel in the SAME direction until it reaches the end of travel (picture 9).
3. Open the second bleed valve and rotate the steering wheel in the opposite direction to the previous one until all the air escapes from the valve (picture 10).
4. Close the valve and continue turning the steering wheel in the same direction until it reaches the end of travel (picture 11).
5. repeat the previous operations until the total elimination of residual air from the circuit (picture 12)

ATTENTION: after each installation, check the system by turning the steering wheel several times until reaching the end stop, first in one direction and then in the other.



MULTIPLE STEERING STATION SYSTEM



IMPORTANT:

In all multi-station installations USE, in the lowest station, the plug without breather (art. 60.02814.10).

CONNECTION TO CYLINDER WITH FIXED ROD

Please refer to diagram 3

SINGLE STATION · MORE CYLINDERS:

Make the connection as shown in fig. 13

Proceed as described above (diagram 1) acting step by step, first on one cylinder and then on the other until the circuit is completely filled.

MULTIPLE STATIONS MORE CYLINDERS:

Make the connection as shown in fig. 15

Proceed as described above (diagram 1) acting step by step, first on one cylinder and then on the other, first rotate the lower rudder and then the higher one until the circuit is completely filled.

MULTIPLE STATIONS ONE CYLINDER:

Make the connection as shown in fig. 17

Proceed as described above (diagram 1) by first rotating the lower rudder and then the higher one until the circuit is completely filled.

CONNECTION TO CYLINDER WITH MOBILE ROD

Please refer to diagram 4

SINGLE STATION · MORE CYLINDERS:

Make the connection as shown in fig. 14

Proceed as described above (diagram 2) acting step by step, first on one cylinder and then on the other until the circuit is completely filled.

MULTIPLE STATIONS MORE CYLINDERS:

Make the connection as shown in fig. 16

Proceed as described above (diagram 2) acting step by step, first on one cylinder and then on the other, first rotate the lower rudder and then the higher one until the circuit is completely filled.

MULTIPLE STATIONS ONE CYLINDER:

Make the connection as shown in fig. 18

Proceed as described previously (diagram 2) by first rotating the lower rudder and then the higher one until the circuit is completely filled.

SCHEMA 3

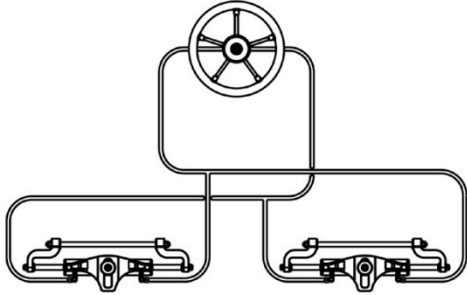


Fig.13

SCHEMA 4

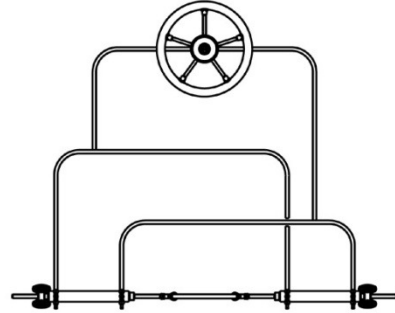


Fig.14

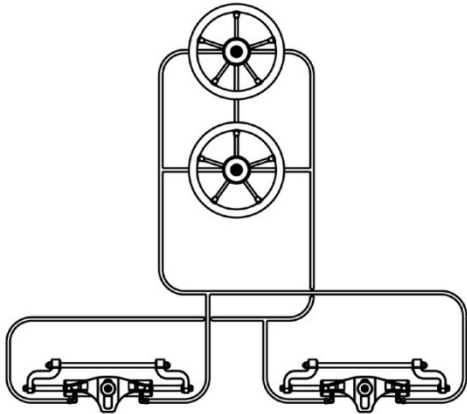


Fig.15

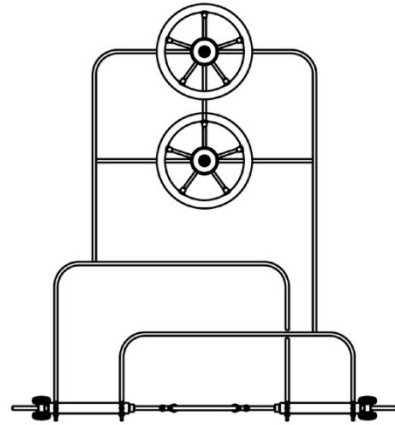


Fig.16

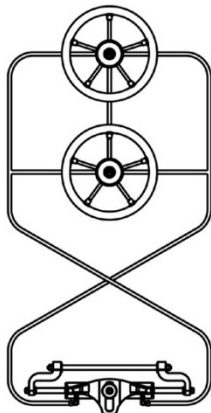


Fig.17

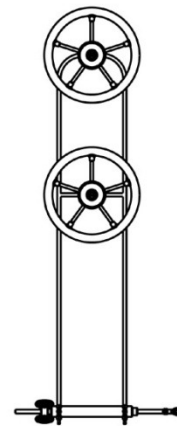


Fig.18

SUMMARY OF WARNINGS AND MAINTENANCE

**AFTER FILLING AND BLEEDING OPERATIONS COMPLETION , CARRY OUT A SYSTEM CHECK:
TURN THE STEERING WHEEL UNTIL FULL STROKE, FIRST IN ONE SENSE AND THEN IN THE OTHER. REPEAT THE OPERATION FOR ALL THE STEERING SYSTEMS INSTALLED. MAKE SURE THAT THE SYSTEM HAS BEEN CORRECTLY INSTALLED AND THAT THERE ARE NO OPERATING DEFECTS BEFORE PROCEEDING TO NAVIGATE**



Before starting the installation, it is recommended to get rid of rings, necklaces, watches and in general all personal items that could get entangled in the mobile parts of the system.

SEALING MATERIAL FOR FITTINGS:

Use only liquid material (such as Loctite). Make sure that there are no infiltrations of the sealing material in the oil circuit, which could cause damage or breakage of the system itself.

INTRODUCTION OF FOREIGN BODIES INTO THE CIRCUIT:

Avoid the introduction of foreign bodies into the oil circuit, which could cause damage or breakage of the system. Install in an environment that is as clean as possible.

FILLING THE CIRCUIT:

During the filling and bleeding phase, turn the steering wheel SLOWLY to avoid the formation of foam in the oil. If this happens it would be necessary to wait 24 hours before being able to resume the procedure.

MAINTENANCE:

Use Hydrax 15 or compatible oil. **Never use brake oil.**

Maintenance must be adequate for the type of use and the climatic conditions in which the system operates. It is necessary to have a global check of the system carried out twice a year by a professional nautical mechanic.

Periodically check the condition of the piston and steering system seals to prevent oil leaks.

Check, every 6 months, the tightness of the nuts, the integrity of the pipes and, in general, the wear of the system.

MAINTENANCE OF THE CORRECT OIL LEVEL:

- Perform the filling and bleeding procedures as indicated above
- Fill the steering gear tank up to the threaded hole for the cap, taking care not to let it come out.
- Open the bleed valve only after placing a container under it to collect the used oil.
- Turn the steering wheel by ½ turn making the oil come out of the valve.
- Close the valve and check the system as described at the beginning of the page.

OIL TECHNICAL FEATURES :

Riviera Steerings use ERG HYDRO ISO 15 according to ISO 15:

- relative density : 0.865 gr/cc at 15°C
- Viscosity : 15 CST a 40°C

compatible OILS conform to ISO VG 15 alternatively:

MOBIL DTE 11 ; SHELL TELLUS T15 ; ESSO NUTO H15 ; Q8 HAYDN 15.

PUMPS:

Item code	Range	nr.pistons	Weight (kg)	Pressure max	Application
62.00866.00	19 cc	5	2,7	50 BAR	Semi-flush
62.00638.00	28 cc	7	4,8	70 BAR	Semi-flush
62.00640.00	34 cc	7	4,8	70 BAR	Semi-flush
62.00575.00	39 cc	7	4,8	70 BAR	Semi-flush

Fittings used ¼ "NPT; use Loctite 542 or Loctite 545 as sealant

CYLINDERS:

Item code	Ø Piston [mm]	Stroke [mm]	Ø Rod [mm]	Arm [mm]	Area [cm ²]	Thrust [kg]	Max. Pressure [bar]	Torque [kgm]	Application
62.00584.00	32	178	14	154,2	6,50	455,22	70	70,19	Balanced inboard
62.00591.00	25	150	12	128,6	3,77	264,44	70	34,01	Balanced inboard
62.00583.00	35	200	18	/	7,00	495,35	70	/	Balanced outboard
62.00593.00	30	200	16	/	5,00	354,06	70	/	Balanced outboard
62.00867.00	32	200	16	/	6,00	301,59	50	/	Balanced outboard
62.00868.00	32	200	16	/	6,00	301,59	50	/	Balanced outboard

USE COPPER OR RIVIERA FLEXIBLE PIPES FOR CONNECTION.

FAULTS

ATTENTION

RIVIERA S.R.L. GENOVA provides the following list of solutions to the most frequent possible defects found in a hydraulic system to be used only as a guide track.

Operations that require the assembly or disassembly of particular system components must be carried out only by staff, otherwise Riviera assumes no responsibility for any damage caused to things or people

FAULT	CAUSE	C SOLUTION
1. Wheelhouse block in the filling phase	Obstructed piping	Locate the obstructed section of pipe and replace it
	Clogged fittings	Locate the obstructed fitting and replace it
2. Difficulty filling the system	Presence of air in the circuit	Repeat the procedure filling and bleeding
		Install the pipes horizontally or with a maximum inclination of 3 cm per meter
3. Gurgling air from the wheelhouse tank once the system is filled	Leakage of the bleed nipple	Fully tighten the fitting or replace if defective
	Kinking of pipes	Straighten piping
	The helm has been mounted with a too low fill hole	Correctly reposition the helmsmen
	Clogged piping or section narrowing.	Identify the section of pipe affected by the fault and replace it.
	logged fittings	Locate the plugged fitting and replace it
4. Steering rigidity and difficulty in maneuvering even when the boat is stationary.	Presence of air in the circuit	Repeat the filling and bleeding procedure
	Use of wrong oil	Drain the system and refill with correct oil.

The use of fluids other than those specified will result in immediate loss of warranty.

5. Steering rigidity and difficulty in maneuvering even when the boat is stationary with the use of an unbalanced outboard cylinder	Absence of the fuel cap with vent on the wheelhouse	Replace the cap with the correct one
	Purge valve obstruction	Ask the intervention of a specialized technician; do not use the boat.
6. Difficult to maneuver the boat in motion	Insufficient steering wheel diameter	Replace the steering wheel with one with a larger diameter.
	Incorrect adjustment of the trim tab	Recalibrate the trim tab
	Air is in the circuit	Check the oil level and repeat the filling and bleeding procedure.
7. No movement of the piston (bar or rod)	Air is in the circuit	Repeat the filling and bleeding procedure
	Oil Leak	Contact appropriate personnel once the leak has been identified.
	The helm has been mounted with a too low fill hole	Correctly reposition the helm
8.Oil leaks from helms fittings.	Insufficient tightening torque or incorrectly screwed fitting	Tighten the fittings with a suitable wrench DO NOT exceed a tightening torque of 17.6 [Nm]
	Insufficient or missing sealant fluid	Empty and remove the helm. Disassemble the fittings and clean them of any remaining oil.
9. Oil leakage from the tank cap	Cap screwed on incorrectly	Treat the threaded part of the fitting with liquid sealant and reassemble them.
	Cap with vent on additional wheelhouse in place of the one without vent	Repeat the bleeding operations
	OR seal worn or damaged	Screw the cap correctly.
	Excessive oil level	Replace the vented plug with the correct one without vent. Replace OR See procedure for correct oil level maintenance.

EDITED BY:



Manufacturer :

RIVIERA s.r.l. GENOVA

Via Inferiore Rio Maggiore, 4A
16138 Genova - Italia

Tel. 010 8355286

E-mail: info@rivieragenova.it

RIVIERA SRL GENOVA

*disclaims any liability deriving from printing errors contained in this manual.
All trademarks, initials and designs shown inside are its exclusive property
and therefore not reproducible*

www.rivieragenova.it