

PERKO® 0200 Series Navigation Light Installation Instructions

Top Mount Series Lights

The above lights are designed for use on sail and power driven vessels under 20 meters (65.6 ft.) in length operating on a nominal 12 volt, 24 volt or 32 volt system. In order to comply with '72 COLREGS and the U.S. Inland Rules, the following must be adhered to:

MOUNTING INFORMATION

Read all instructions before proceeding

For proper light selection, positioning and configuration, refer to the A.B.Y.C. Standard A-16*, the '72 COLREGS* and the U.S. Inland Rules*.

Consider the placement of the light to give:

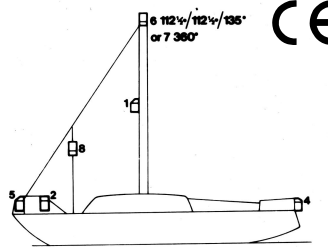
- Correct positioning of the light on the boat and
- The most convenient positions for cleaning and bulb changing.

To ensure the correct optical performance of the lights:

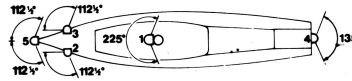
- Mount the red (port) and green (starboard) sidelights accurately vertical in the same thwartship plane and at the same height above the waterline at least one meter below the masthead light with the symbol (⇔) parallel with the boat centerline and pointing to the bow. If a bicolor light is used, mount on the centerline of the vessel at the bow at right angles to the centerline and at least 1 meter below the masthead light.
- Mount the white masthead light vertical on the centerline clear of all other lights with the symbol (⇔) parallel with the boat centerline pointing to the bow. On boats less than 12 meters, mount at least 1 meter above the sidelights. On boats 12 meters and above but less than 20 meters, mount no less than 2.5 meters above the gunwale, and at least 1 meter above the sidelights.
- Mount the white stern light vertical on the centerline and high enough not to be obscured by a following sea, with the symbol (⇔) parallel with the boat centerline pointing to the bow.
- Mount the tricolor light on the mast top with the symbol (⇔) parallel with the boat centerline pointing to the bow. (Note: Tricolor lights are only permitted on boats under sail)

Top Mount Installation

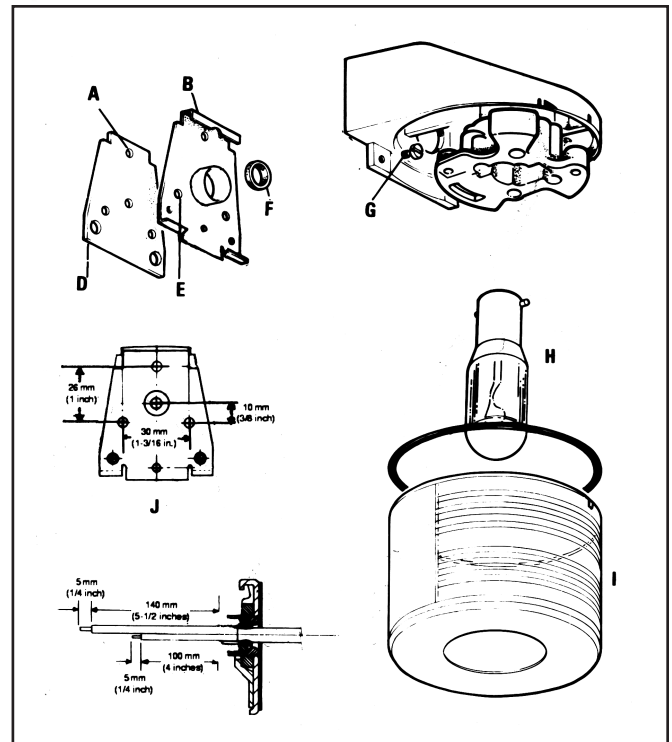
- Strip cable outer insulation to required length.
- Install silicone sleeves. These are provided as protection against high internal temperature.
- Thread cable through hole in mounting plate and top molding.
- Attach mounting plate. Use #8 screws.
- Attach top molding.
- Connect cables.
- Install bulb at correct voltage and wattage, note staggered mounting pins.
- Install lens. Turn clockwise firmly to stop.



Light	Visibility
0200 BT	2nm
0200 PT	2nm
0200 SDT	2nm
0200 SNT	2nm
0200 TWT	2nm
0200 MT	3nm



- | | | |
|-----------------------|-------------|----------|
| 1. Masthead | White | Bulb 25w |
| 2. Port | Red | Bulb 25w |
| 3. Starboard | Green | Bulb 25w |
| 4. Stern | White | Bulb 10w |
| 5. Bicolor | Red/Grn | Bulb 25w |
| 6. Tricolor | Red/Grn/Wht | Bulb 25w |
| 7. Anchor (Mast Top)† | White | Bulb 10w |
| 8. Anchor (Halyard)† | White | Bulb 10w |
- †. Signal White



Top Mount Light Diagram

A	B	C	D	E	F	G	H	I	J
Mounting holes 4.5 mm diameter (for #8 fastener)	Mounting Plate	Mounting Gasket	Mounting Gasket	3 Mounting holes for #8 screws	Cable Grommet	Mounting Plate Screws (Captive)	Bulb: 10w or 25w 12v, 24v or 32v	Lens	Mounting Hole Centers

Electrical Connections

Attach supply connections to the light, making sure to wire in accordance with both A.B.Y.C. Standard E-9* and U.S. Coast Guard Safety Standards for Boat Electrical Systems (33 CFR 183)*.

Always use cable of sufficient size to ensure total voltage drop is less than 0.5 volt for a nominal 12 volt installation (1 volt drop with 24 volt installations). Recommended minimum cable size 1.5mm² (No. 16 AWG.).

Bulbs - Use only PERKO replacement bulbs as shown to the right.

Cleaning: Use only fresh water and mild detergents to clean.

* The above referenced Standards can be obtained from.

- American Boat & Yacht Council, Inc 613 Third Street, Suite 10 Annapolis, MD 21403
- U.S. Coast Guard Washington D.C. 20593 (or your local C.G. office)

Removing and installing the lens

- Molded mark or Red/Green lens joint.
- Rotate clockwise to install.
- Rotate counter-clockwise to remove.

Bulb	Part Numbers
12V 10 Watt	037512V10W
12V 25 Watt	037512V25W
24V 10 Watt	037524V10W
24V 25 Watt	037524V25W
32V 10 Watt	037532V10W
32V 25 Watt	037532V25W