



Cat. Nos. 0570 Series Gas Tank Vent

INSTALLATION INSTRUCTIONS

Read all directions before proceeding.

- 1). Tank vent must be installed in accordance with U.S.C.G. Safety Standards for Boat Gasoline Fuel Systems, #33CFR183 and A.B.Y.C. Standard H-24.
- 2). Locate mounting surface with thickness up to 1/2 inch maximum.
- 3). Drill 3/4 inch diameter hole in mounting surface.
- 4). Make sure vent head is tightened against threaded end of vent neck to insure proper seal.
- 5). Remove nut and washer, insert vent neck in mounting hole, and apply bedding compound around outside of mounting hole.
- 6). Attach washer and nut; tighten securely.
- 7). Attach vent hose to barbed end of vent neck, and secure with a hose clamp.
- 8). To pressure test fuel system, remove splash guard, and attach optional orange test cap (Cat. No. 0101).
- 9). Remove test cap, and reattach splash guard after pressure testing.

(1). American Boat & Yacht Council, Inc.
613 Third Street, Suite 10
Annapolis, MD 21403

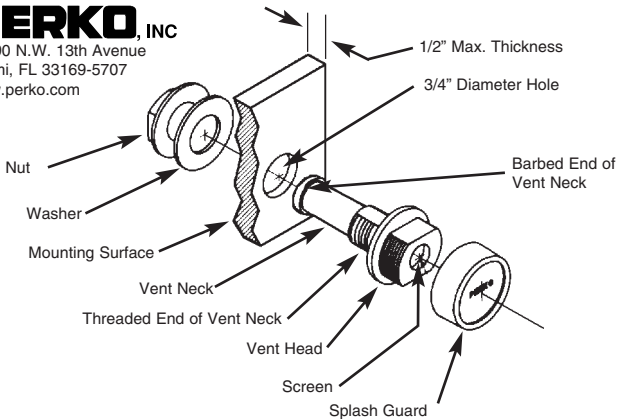
(2). U.S. Coast Guard
Washington, D.C. 20593
(or your local C.G. office)

PERKO, INC

16490 N.W. 13th Avenue

Miami, FL 33169-5707

www.perko.com



(Over)