

Installation and Maintenance manual

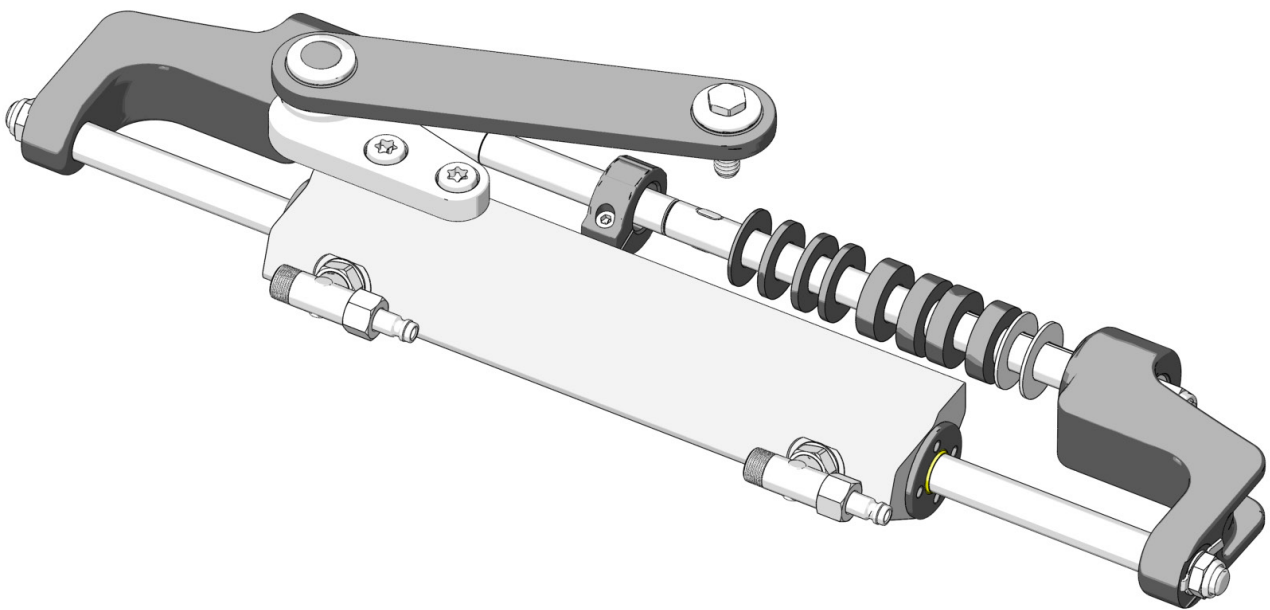
HYDRAULIC CYLINDER
FOR OUTBOARD ENGINES

UC 95-0BF

ENGLISH

ITALIANO

FRANÇAIS



ULTRAFLEX

UK
page 2

I
pag. 27

F
page 53



PARTNER





Dear Customer,

We would like to thank you for choosing an **ULTRAFLEX** product.

ULTRAFLEX has been a leader in steering systems for pleasure and professional boats for many years. **ULTRAFLEX** production is since ever synonymous of reliability and safety.

All **ULTRAFLEX** products are designed and manufactured to ensure the best performance. To ensure your safety and to maintain a high quality level, **ULTRAFLEX** products are guaranteed only if they are used with original spare parts.

ULTRAFLEX and **UFLEX** Quality Management Systems are certified by the Det Norske Veritas - Germanischer Lloyd (DNV-GL), in conformity with the UNI EN ISO 9001:2015 rule.

The quality management system involves all the company resources and processes starting from the design, in order to:

- ensure product quality to the customer;
- maintain and improve the quality standards constantly;
- pursue a continuous process improvement to meet the market needs and to increase the customer satisfaction

ULTRAFLEX Environmental Management System is certified by the Det Norske Veritas - Germanischer Lloyd (DNV-GL), in conformity with the UNI EN ISO 14001:2015 rule.

Products for pleasure boats are constantly tested to check their conformity with the 2013/53/EU.



"**ULTRAFLEX** has over 85 years of experience in the marine industry and is a world leader in the production of mechanical, hydraulic and electronic steering systems, control boxes and steering wheels for any kind of pleasure, fishing or commercial boats.

The key factors which explain the increasing success of our products all over the world are the reliability of our products and the before and after sale service, the quality of the company organization and of the human resources and the continuous spending in research and development".

ULTRAFLEX Sp.A.

16015 Casella (Genova) Italia - Via Crose, 2

TABLE OF CONTENTS



DOCUMENT REVISIONS.....	4
MANUAL USE AND SYMBOLS USED.....	5
INTRODUCTION.....	6
WARRANTY.....	6

SECTION 1 - PRODUCT DESCRIPTION



1.1 HYDRAULIC STEERING SYSTEM OPERATION.....	7
1.2 WARNINGS FOR THE CORRECT PRODUCT USE.....	7
1.3 CONFIGURATIONS.....	8
1.4 UC95-OBF CYLINDER DESCRIPTION.....	9
1.5 TECHNICAL FEATURES.....	9

SECTION 2 - TRANSPORT



2.1 GENERAL WARNINGS.....	10
2.2 PACKAGING CONTENTS.....	10

SECTION 3 - INSTALLATION



3.1 MINIMUM TRANSOM REQUIREMENTS.....	11
3.2 NECESSARY TOOLS.....	11
3.3 STANDARD (STARBOARD)CYLINDER INSTALLATION.....	12
3.4 HOSE INSTALLATION.....	15
3.5 TYPE OF INSTALLATION.....	16
3.6 FILLING AND PURGING.....	17
3.7 GENERAL RECOMMENDATIONS.....	20

SECTION 4 - SAFETY WARNINGS



4.1 SAFETY WARNINGS DURING USE AND INSTALLATION.....	21
4.2 CLOTHING.....	21

SECTION 5 - MAINTENANCE



5.1 ORDINARY MAINTENANCE.....	22
5.2 HEAD REPLACEMENT.....	22
5.3 TROUBLESHOOTING.....	23

SECTION 6 - DISMANTLING



6.1 DISMANTLING.....	25
----------------------	----

IMPORTANT:

The additional documents "Application Guide" and "Spare Parts List" are attached to this manual.






DOCUMENT REVISIONS

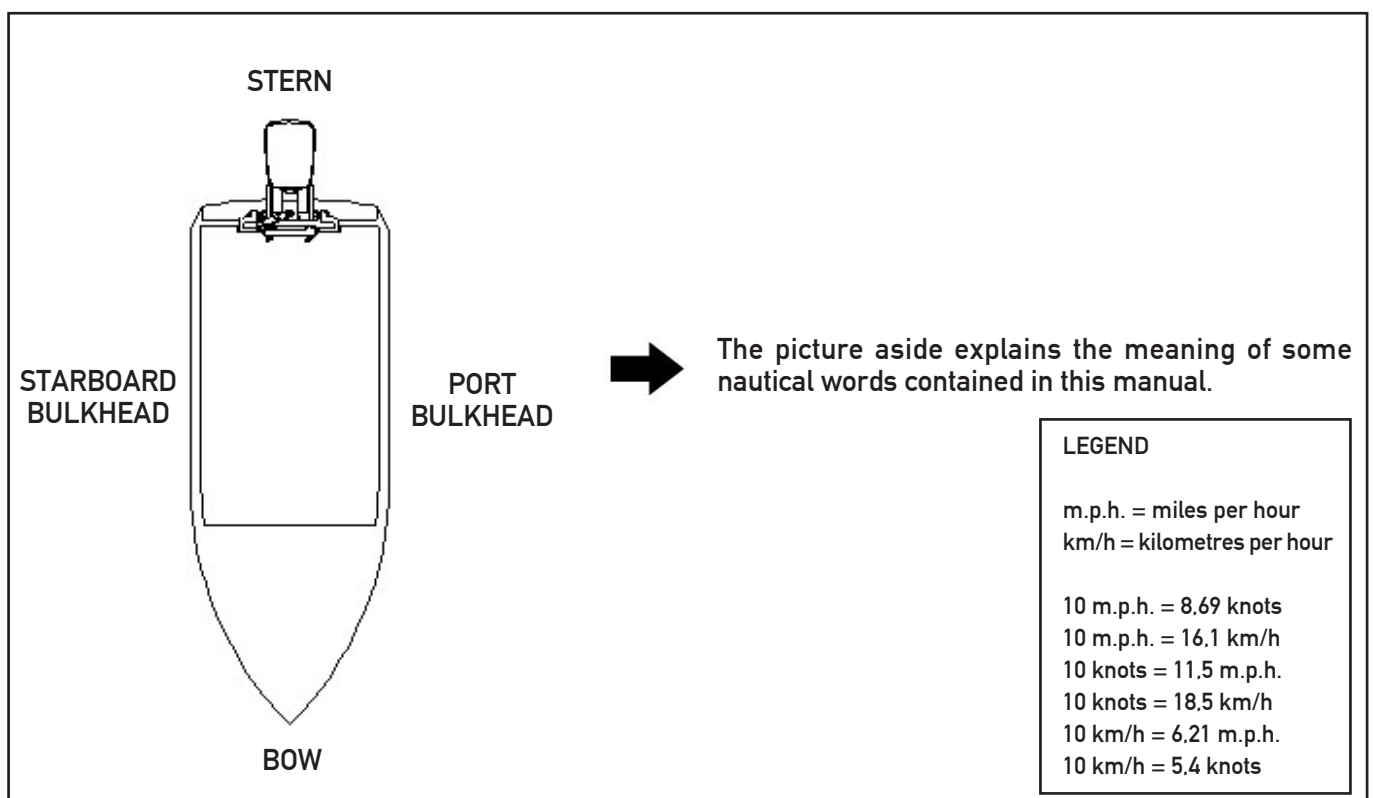
Rev.	Date	Revision description
0	10/07/2020	First edition

USE OF THE MANUAL AND SYMBOLS USED

THE INSTALLATION AND MAINTENANCE MANUAL is the document accompanying the product from its sale to its replacement and discharge. The manual is an important part of the product itself. It is necessary to read carefully the manual, before ANY ACTIVITY involving the product, handling and unloading included.

In this manual the following symbols are used to ensure the user safety and to guarantee the correct operation of the product:

- 
DANGER
➔
Immediate hazards which CAUSE severe personal injury or death.
- 
WARNING
➔
Denotes that a hazard exists which can result in injury or death if proper precautions are not taken.
- 
CAUTION
➔
Denotes a reminder of safety practices or directs attention to unsafe practices which could result in personal injury or damage to the craft or components or to the environment.
- 
NOTICE
➔
Important information for the correct installation and for maintenance, that does not cause any damage.
- 
➔
The symbol aside indicates all the operations which must be carried out by qualified or skilled staff, in order to avoid hazards. We recommend training the staff in charge of the product installation and checking their knowledge.



INFORMATIVE LETTER

This installation and maintenance manual represents an important part of the product and must be available to the people in charge of its use and maintenance.

The user must know the content of this manual.

ULTRAFLEX declines all responsibility for possible mistakes in this manual due to printing errors.

Apart from the essential features of the described product, **ULTRAFLEX** reserves the right to make those modifications, such as descriptions, details and illustrations, that are considered to be suitable for its improvement, or for design or sales requirements, at any moment and without being obliged to update this publication.

ALL RIGHTS ARE RESERVED. Publishing rights, trademarks, part numbers and photographs of **ULTRAFLEX** products contained in this manual are **ULTRAFLEX** property.

Great care has been taken in collecting and checking the documentation contained in this manual to make it as complete and comprehensible as possible. Nothing contained in this manual can be interpreted as warranty either expressed or implied - including, not in a restricted way, the suitability warranty for any special purpose. Nothing contained in this manual can be interpreted as a modification or confirmation of the terms of any purchase contract.

WARNING

To ensure the correct product and component operation, the product must be installed by qualified staff. In case of part damage or malfunction, please contact the qualified staff or our Technical Service.

TECHNICAL SERVICE

UFLEX Sr.l.

Via Milite Ignoto,8A

16012 Busalla (GE)-Italy

Tel: +39.010.962.01

Email: service@ultraflexgroup.it

www.ultraflexgroup.it

North - South - Central America:

UFLEX USA

6442 Parkland Drive

Sarasota, FL 34243

Tel: +1.941.351.2628

Email: sales@uflexusa.com

www.uflexusa.com

WARRANTY

ULTRAFLEX guarantees that its products are well designed and free from manufacturing and material defects, for a period of two years from the date of manufacturing.

For the products which are installed and used on working or commercial boats the warranty is limited to one year from the date of manufacturing.

If during this period the product proves to be defective due to improper materials and/or manufacture, the manufacturer will repair or replace the defective parts free of charge.

Direct or indirect damage is not covered by this warranty. In particular the company is not responsible and this warranty will not cover the damage resulting from incorrect installation or use of the product (except for replacement or repair of defective parts according to the conditions and terms above).

This warranty does not cover the products installed on race boats or boats used in competitions.

The descriptions and illustrations contained in this manual should be used as general reference only.

For any further information please contact our Technical Service.

ULTRAFLEX steering system components are marked **CE** according to the Directive 2013/53/EU.

We remind you that only **CE** marked steering systems must be used on the boats marked **CE**.

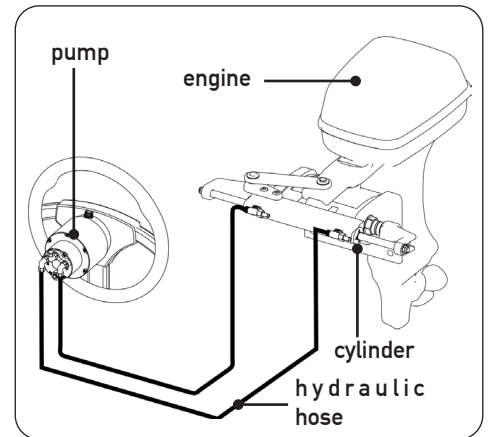
We inform you that the **ULTRAFLEX** warranty is null if some **ULTRAFLEX** components are installed on a steering system together with products of other brands.



1 PRODUCT DESCRIPTION

1.1 Hydraulic steering system operation

All **ULTRAFLEX** hydraulic steering systems are designed in conformity with UNI-EN-ISO 10592 and A.B.Y.C. P21 regulations. All **ULTRAFLEX** steering systems can operate at temperatures between -18°C (0°F) and $+77^{\circ}\text{C}$ ($+170^{\circ}\text{F}$). All the components are made for the marine environment, using materials and working processes which offer long life and safety under the most extreme conditions. A hydraulic steering system consists of a steering pump, a cylinder tied to the rudder or to the outboard or sterndrive engine and the connecting hoses (see picture). Under normal operating conditions, a turn of the steering wheel will pump the oil, which flows in through the hoses to the cylinder, according to the turn direction. With the consequent cylinder movement the oil will flow to the pump through the hoses and at the same time moves the engine or the helm which are connected to the cylinder. The pumps are equipped with a nonreturn valve, which prevents outgoing fluid from returning along the same hose. It also allows the operation of the steering systems with two or more steering stations. The cylinders are double acting and may be balanced or unbalanced. In the unbalanced cylinders the two chambers have different volumes and so they need a different number of turns of the steering wheel and a different rotation effort. The balanced cylinders have same number of steering wheel turns in order to move the helm from the center to the end stroke in the two opposite directions. A well balanced steering system needs a correct choice of the pump for the cylinder. **ULTRAFLEX** produces different pump models, which have different capacity (cm^3 of oil moved each steering wheel turn) and for each type of installation. While choosing the pump it is important to consider the cylinder volume. The number of starboard and port turns is determined by the ratio between the cylinder volume and the pump capacity.



Example: if the pump has a capacity of 20 cm^3 [1.2 cu.in.] and the cylinder has a volume of 94 cm^3 [5.7 cu.in.], the formula looks like this: $94/20=4.7$. Accordingly, the steering wheel will turn 4 times and a half before the cylinder will completely turn from one side to the other. In case of installations with double cylinders connected in parallel the cylinder volume must be added. Applications with less than 4 turns are not recommended, as they need a higher effort, also applications with more than 8 turns are also not recommended, as the response of the boat to steer is slowly. The maximum operating pressure is 7.0 MPa (70 bar) (1000 PSI).

1.2 Warnings for the correct product use

⚠ WARNING

Before beginning the installation, check the mounting compatibility of the UC95-0BF cylinder to the engine by consulting the attached document "Application Guide" contained in the packaging.

⚠ DANGER

Do not modify the steering cylinder in any way to fit it to your engine application, otherwise the cylinder will no longer operate in safety and it will endanger the boat and the occupants.

⚠ WARNING

All **ULTRAFLEX** steering systems must not be installed on boats equipped with engines whose maximum horsepower is higher than the horsepower rating approved by boat manufacturer.

⚠ WARNING

ULTRAFLEX hydraulic steering systems must not be installed on race boats.

⚠ DANGER

It is forbidden to disassemble the components which are supplied preassembled to avoid compromising the product integrity.

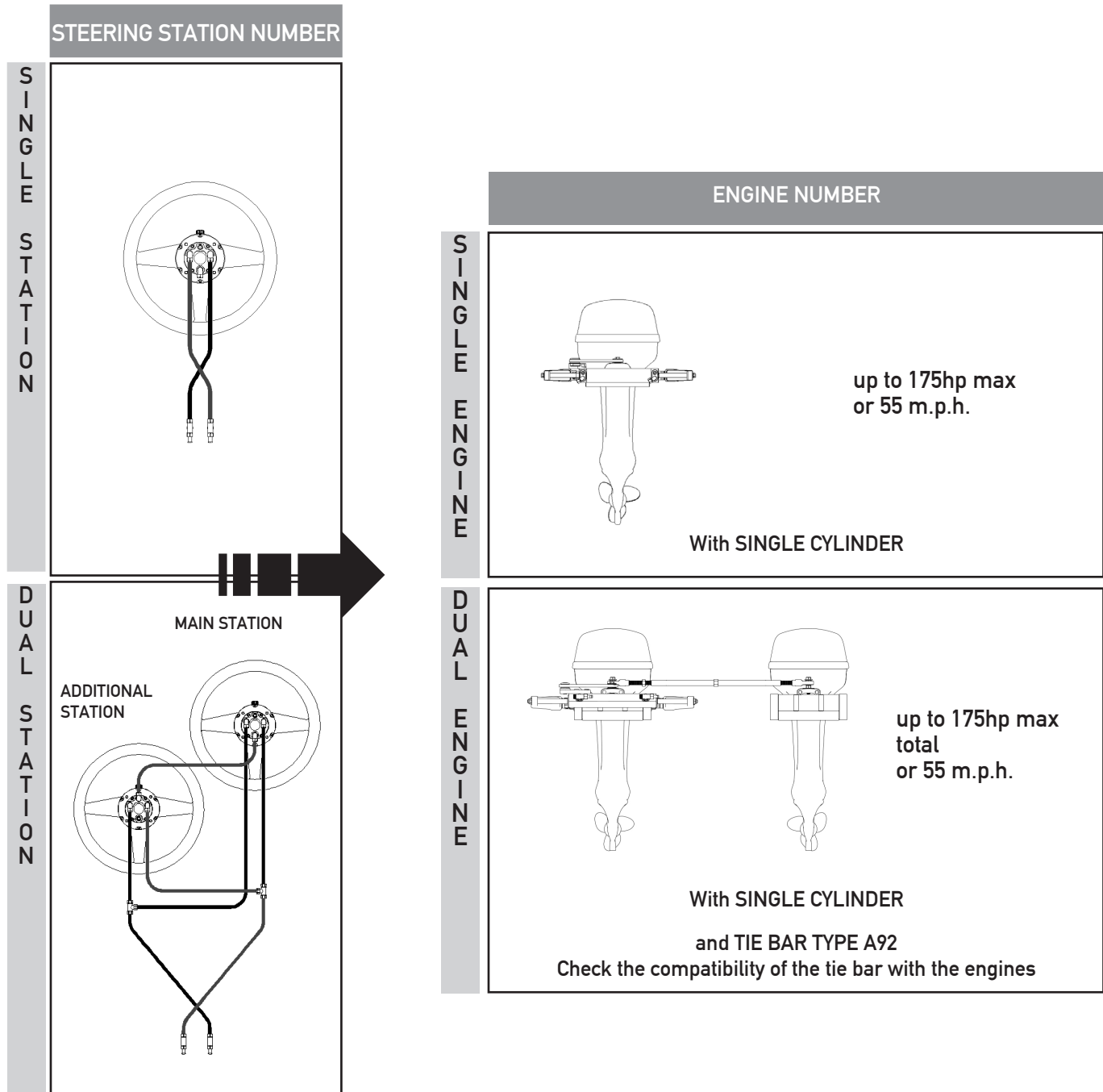


1.3 Configurations

The hydraulic cylinder for outboard engine UC95-OBF model can be installed on boats equipped with single or dual engine and with single or dual steering station.

The maximum power of the single engine or the total (combined) maximum power of the two engines must not exceed 175 hp.

ENGLISH



⚠ CAUTION

Also in case of single engine applications with a horsepower which exceeds 175hp or 55 m.p.h., it is necessary to assemble the **ULTRAFLEX UC 128-OBF** or **UC128-SVS** cylinder.

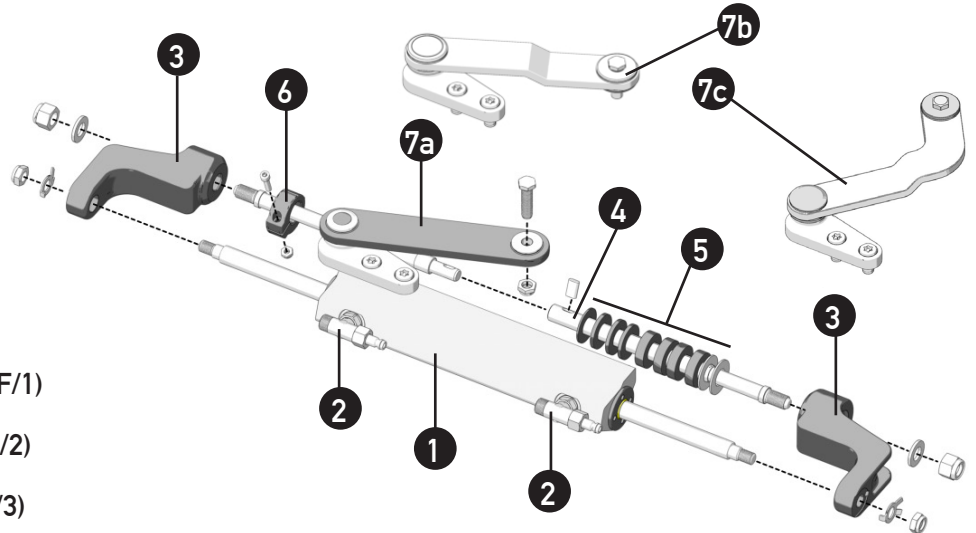


1.4 UC95-OBF cylinder description

UC95-OBF is a hydraulic outboard front mount cylinder which has been designed and manufactured to be used as a component in the hydraulic steering systems, as described in the previous paragraph.

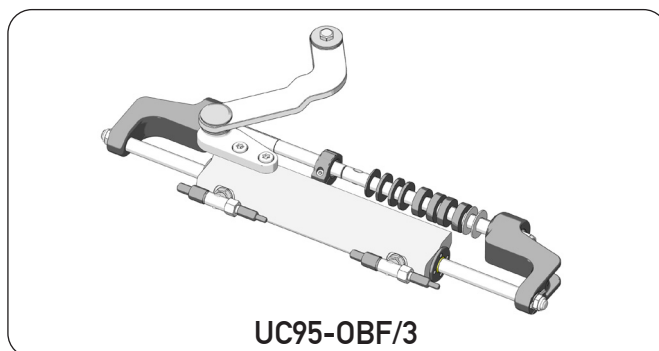
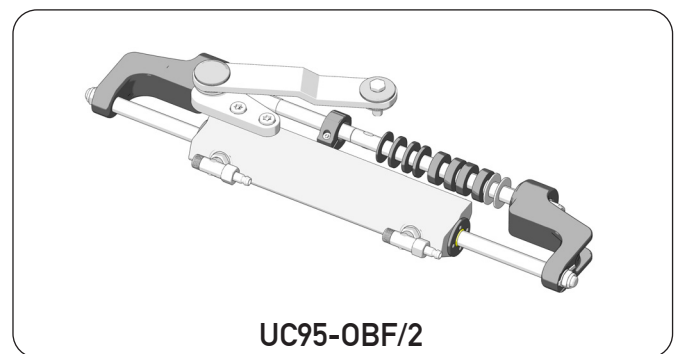
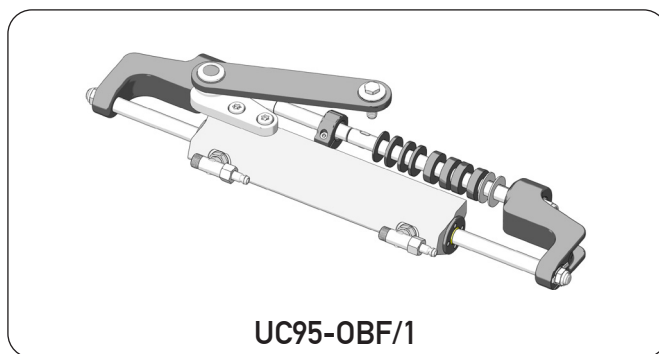
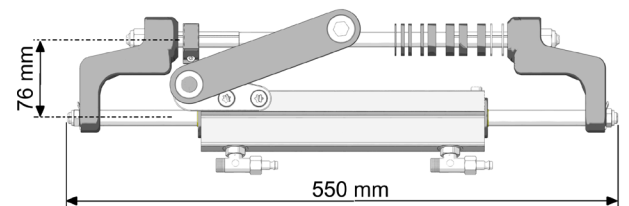
The cylinder is installed to the tilt tube rod of the available engines on the market as shown in the attached document "Application guide". It is possible to meet all the different cylinder applications due to the three different link arms and a proper spacer kit. For the dual engine application, the single cylinder must be mounted with a tie bar (see par. 1.3). The following picture shows the main cylinder components:

- 1 Cylinder body
- 2 Fittings and bleed valves
- 3 Bull horns
- 4 Tilt tube rod
- 5 Spacers
- 6 Adjustment collar
- 7a Straight link arm (UC95-OBF/1)
- 7b Shaped link arm (UC95-OBF/2)
- 7c Curved link arm (UC95-OBF/3)



1.5 Technical features

SPECIFICATIONS	UC95-OBF/1 -/2 -/3
Volume	94 cc - 5.7 cu. in
Max. cylinder thrust*	354 Kg - 780 lbs (@70 bar)
Inside diameter	30 mm - 1.18"
Stroke	186 mm - 7.3"
Oil	OL150 Ultraflex



⚠ CAUTION

* The cylinder thrust shown above is a theoretical value calculated considering a pressure system of 70 bar (1000 psi). This value is not the one considered for the system normal use but for the system use in extreme conditions.



2 TRANSPORT

2.1 General warnings

The product weight with its packaging is 8kg (18 pounds) and so it can be handled manually.

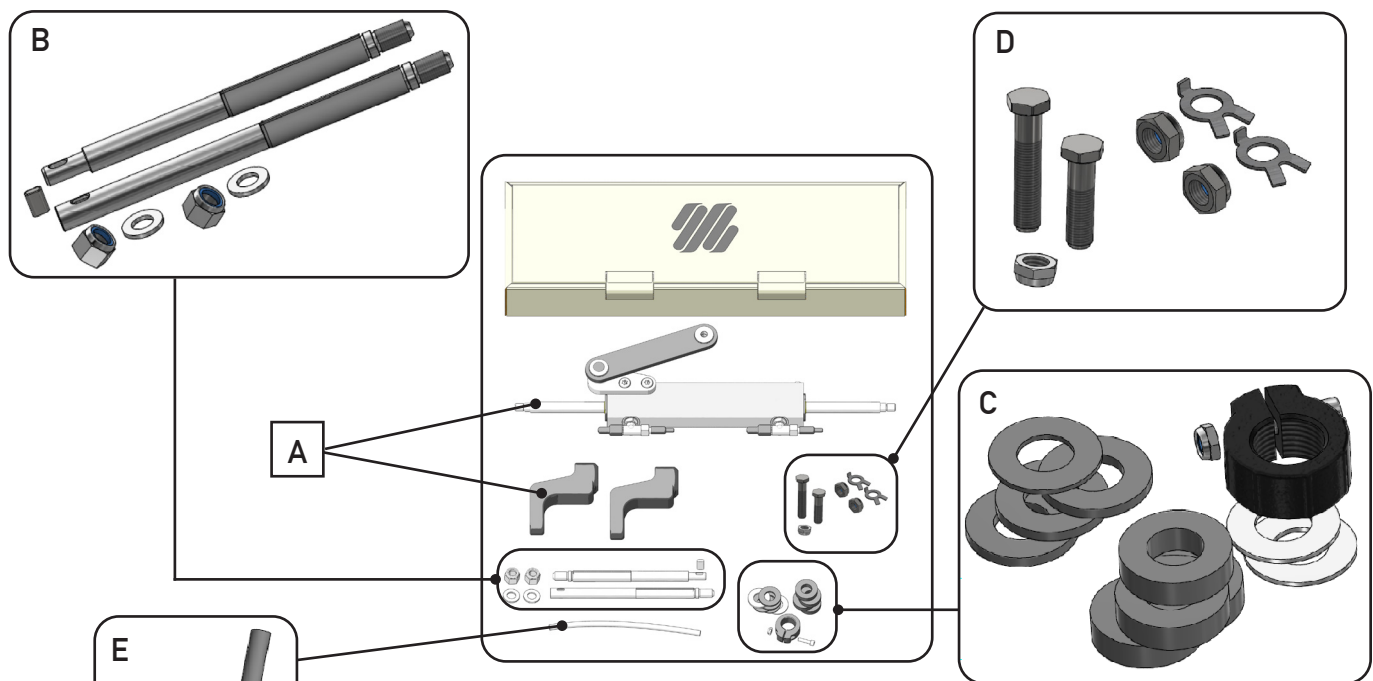
⚠ WARNING

The staff in charge of handling must operate with protective gloves and safety shoes.

2.2 Packaging contents

Before using the equipment check that the product has not been damaged during transport.

Also make sure that all the standard components are in the packaging (see list). In case of damage, notify the claim to the forwarder and inform the supplier.



CONTENTS OF THE STANDARD PACKAGING:

- A) No.1 cylinder body with rod, fittings and bull horns;
- B) No.1 link arm kit composed of:
 - tilt tube rod (2 pieces) + No.1 lockpin
 - No.2 locknuts + No.2 washers;
- C) No. 1 spacer kit composed of:
 - No.8 plastic spacers;
 - No.2 steel spacers;
 - No.1 ring nut for adjustment collar;
- D) No.1 kit composed of:
 - No.2+1 locknuts;
 - No.2 lock washers;
 - No.1 short hexagon headed screw
 - No.1 long hexagon headed screw (code 73584U);
- E) No.1 plastic hose for the hydraulic circuit bleeding;

⚠ CAUTION

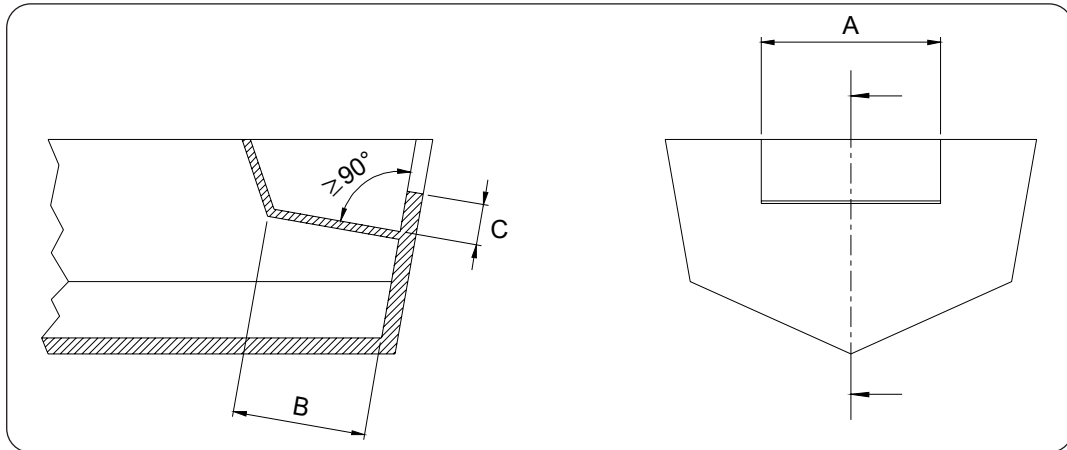
The packaging must be disposed of according to the existing laws.



3 INSTALLATION

3.1 Minimum transom requirements

The following picture shows the minimum splash well dimensions. These dimensions must be respected in order to prevent the cylinder from being damaged when the outboard engine is completely tilted upwards. The picture shows also the minimum transom dimensions, needed for the installation and the correct operation of the engine steering cylinder.



MINIMUM SPLASH WELL DIMENSION REQUIREMENTS			
Engine No.	A	B	C
1	560 mm - 21.25"	305 mm - 12"	152 mm - 5.98"
2	1110 mm - 43.70"	305 mm - 12"	152 mm - 5.98"

⚠ WARNING

ENGINE JACK PLATE APPLICATION TO THE TRANSOM.

A jack plate installation will change all the application clearances. A new clearance check must be completed with the tilting of the engine in conjunction with the vertical movement of the jack plate in all the possible positions. If the steering cylinder comes into contact with the splash well, transom and/or jack plate, stop the installation immediately! Use the jack plate manufacturer's instructions to limit the upper or lower direction in which the interference occurs. If this is not possible please contact specialized staff.

3.2 Necessary tools



Allen wrench
4 mm [5/32"]



Open end wrench
3/4"



Open end wrench
14mm



Open end wrench
11/16"



Open end wrench
5/8"



Pliers



Torque wrench



MOLYKOTE® 1000

⚠ CAUTION

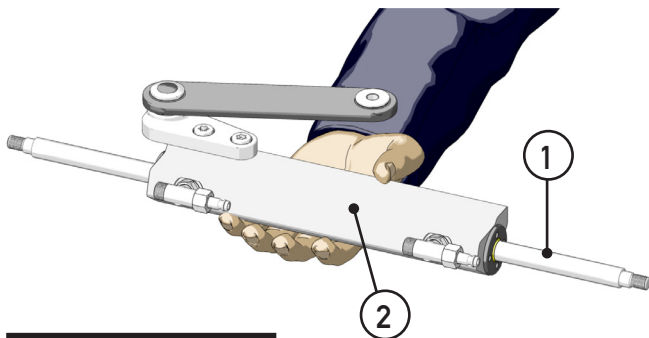
During installation use only stainless steel tools to prevent the corrosion of the metal parts.



3.3 Cylinder installation



- 1 After removing the protective caps of the fittings, manually center the rod (1) on the cylinder body (2).

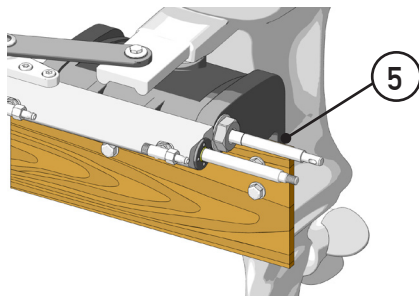


CAUTION

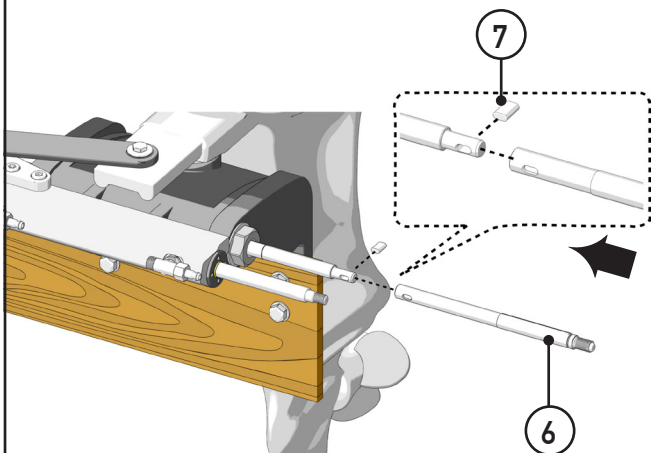
During this phase an oil leak from the fittings can occur. This oil must not be discharged into the sea in any case.

- 4 Grease the two parts of which the tilt tube rod is made up (5) and (6), by using marine grease to prevent the corrosion of the metal parts.

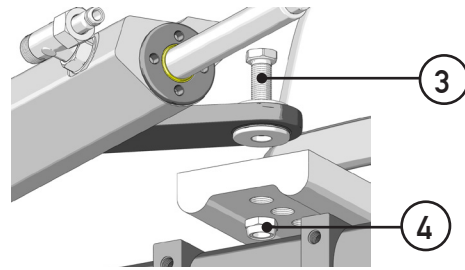
- 5 Insert the first part of the tilt tube rod (5) into the tilt tube.



- 6 Insert the second part of the tilt tube rod (6) by locking it by means of the pin (7), then holding the pin with your hand continue to insert the tilt tube rod into the tilt tube.



- 2 Position the engine straight so that its arm is perpendicular to the transom.



- 3 With reference to the application instructions contained in the Application Guide, position the screw (3) contained in the D bag (see par. 2.2) and connect the link arm to the tiller arm. Tighten the screw with a torque of 40[Nm] (29.5 [lb-ft]). Thread on the locknut (4) and tighten it with a torque of 25[Nm] (18.5 [lb-ft]). After tightening the locknut (4), check for the right torque 40[Nm] (29.5 [lb-ft]) of the screw (3).

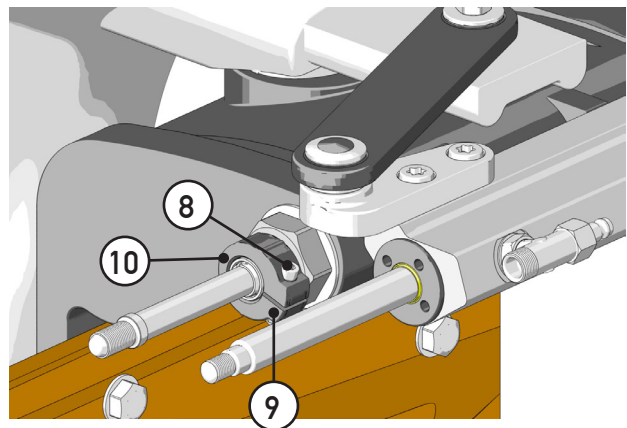
WARNING

To tighten the screw (3) and the locknut (4) on the tiller arm ask your mechanic for the maximum torque allowed. If it is lower than the one indicated in this manual, tighten with the torque indicated by the mechanic.

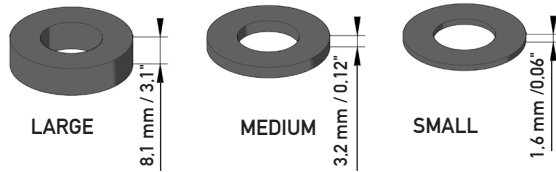
WARNING

It is important to check periodically, at least every 3 months (or every month for professional uses), the right torque of this screw (3) and of the locknut (4).

- 7 Position the bolt (8) and the nut (9) on the adjustment collar (10) and screw it to the right side of the tilt tube until it comes into contact with the tilt tube stop nut.



8 With reference to the "Application Guide" choose the spacers for the tilt tube rod.



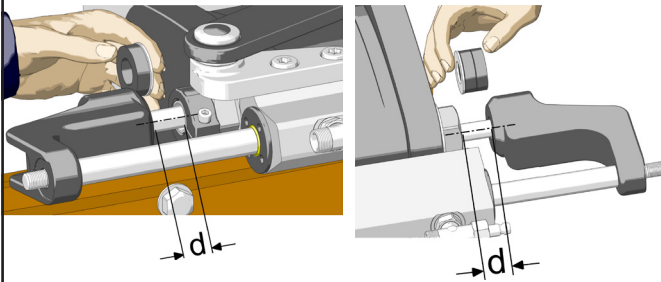
WARNING

The number and position of the spacers shown in the Application Guide is only indicative.

NOTICE

In this phase ensure that the cylinder body is centered on the rod and that the engine is perpendicular to the transom.

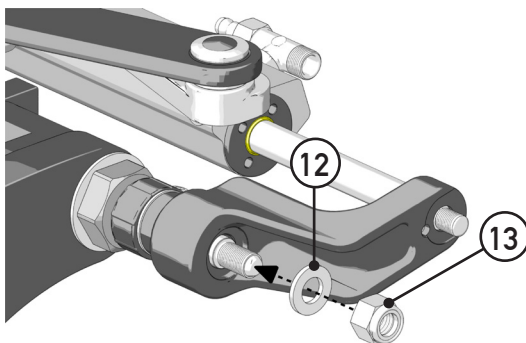
10 Choose the spacers to fill the gap between ring nut and bullhorn d_1 and d_2 between tilt tube and bullhorn considering the thickness of the stainless washer.



WARNING

Always leave a minimum clearance between spacers and bullhorn in order to allow the rod tilting in the tilt tube.

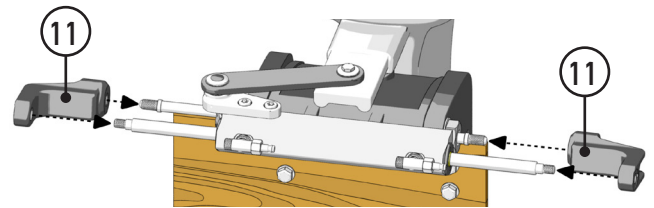
14 Insert the washers (12) on the two ends of the tilt tube rod and tighten the nuts (13), with a torque of 70[Nm] (52[lb-ft]). after greasing them with marine grease.



WARNING

Check the correct torque of both nuts.

9 Insert the right and left bull horns (11) by connecting the rod and the tilt tube rod as shown in the picture.



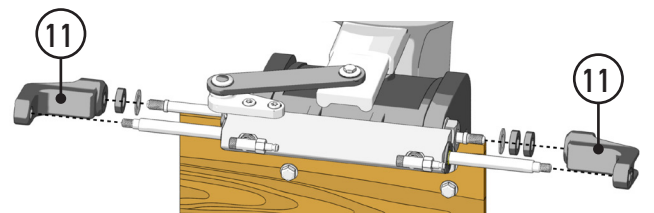
11 Once the correct spacers have been chosen, remove the bull horns.

12 Insert the plastic and stainless steel spacers and the two stainless washer on the tilt tube rod..

NOTICE

Both the stainless steel spacers must be positioned towards the tilt tube on the opposite side of the bull horns to avoid their wear during engine lifting and lowering.

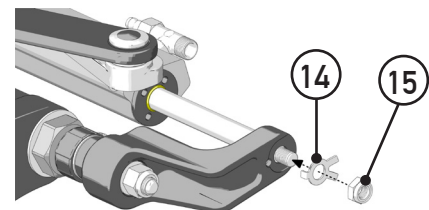
13 Insert the right and left bull horns (11) by connecting rod and tilt tube rod as shown in the picture.



15 Position washers(14) and tighten both locking nuts (15) with a torque of 60[Nm] (44 [lb-ft]).

NOTICE

The lock washer tabs must be bent afterwards (see point 20).



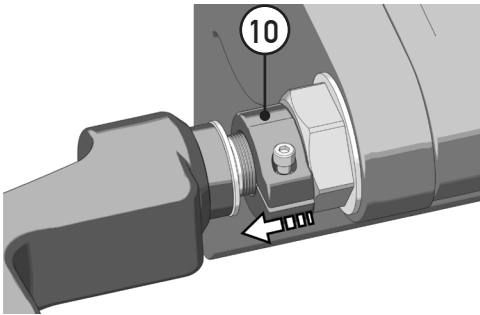
16 Check the correct tilting of the engine.

WARNING

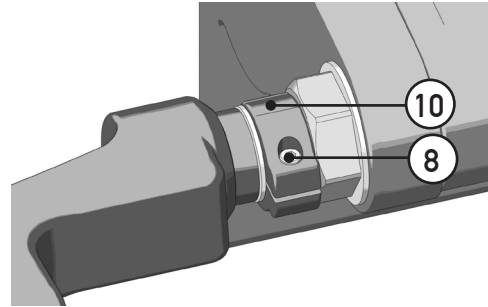
If while tilting the engine is blocked, reduce the overall dimensions of the spacers.



17 Unscrew the adjustment collar (10) and bring it into contact with the stainless washer, until the clearance is eliminated.



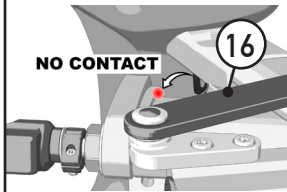
19 Tighten the set screw (8) on the adjustment collar (10) with a torque of 3[Nm] (2 [lb-ft]).



18 Check the correct cylinder installation by moving manually the engine on the right and on the left.

NOTICE

The rotation must be as symmetric as possible so that the steering angle is the same on both sides.



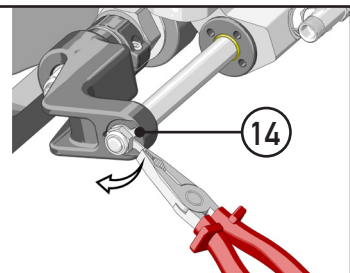
⚠ WARNING

The engine must stop through the cylinder end stroke without coming into contact with the mechanical stop (16) on the engine.

NOTICE

Otherwise it is necessary to modify the installation, by changing the thickness of the spacers and by repeating the procedure from point 13.

20 Bend the tabs of the lock washers (14) bringing them into contact with the screw head and taking care not to damage the bull horns while using the pliers.



21 Check again the correct engine movement both during the right/left rotation and during the tilting.

⚠ WARNING

In this phase clearance should be enough to avoid frictions but it should not be excessive since it could cause engine instability. In case of contact with the transom, stop the installation and contact the specialized staff.

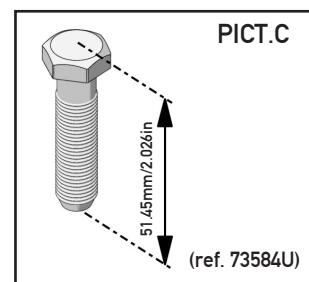
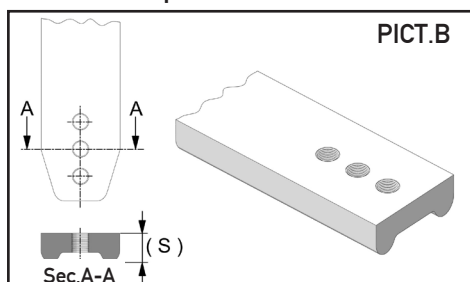
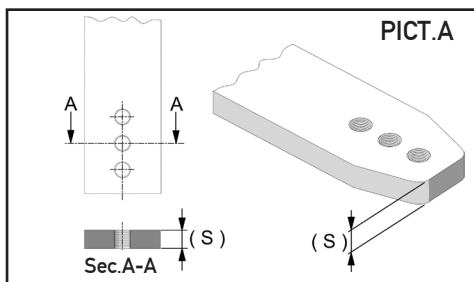
NOTICE FOR INSTALLATION

The bolt identified with the reference 73584U (Pict.C) is the connection screw between the cylinder's link arm and the engine's tiller arm that must be used with the following engines:

- SUZUKI 100-115-140 (2008 - to date).
 - Engines with the tiller arm shaped like in Pict.A and thickness (S) between 10 and 22 mm (0.4" and 0.85").
- For the other engines with tiller arm shaped like in Pict.A and thickness (S) max. 10 mm (0.4"), please use the standard bolt (shorter than ref. 73584U).

When the link arm is shaped like in Pict.B the KIT ref. 41954W (not included in the present kit), containing the dedicated spacer, must be used.

In case the tiller arm differs from the above measures, please contact our after sales service.



⚠ CAUTION

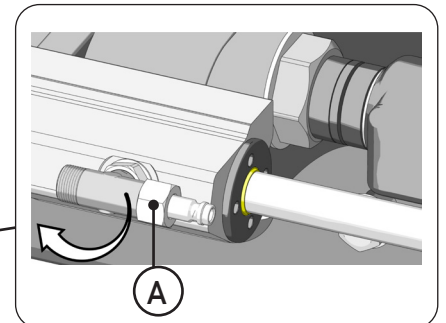
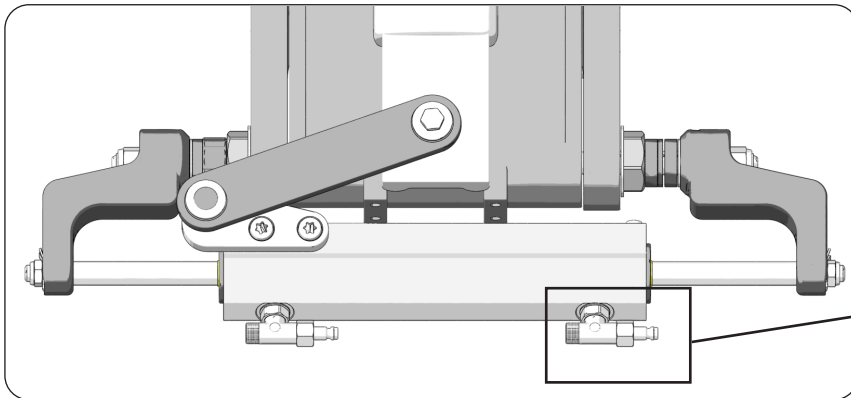
After installation, check that the nylon part of the self-locking nut is tightened on the screw thread.



3.4 Hose installation



The two fittings mounted on the cylinder body are already oriented and are ready to be used. If for practical reasons the orientation must be changed, do as follows:



1. loose the stop nut (A) by using an 11/16" wrench;
2. orient the fittings according to the requirements;

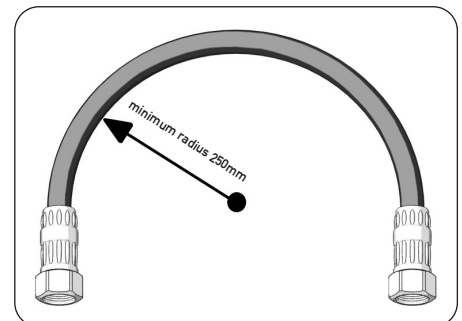
⚠ DANGER

Do not unscrew the fittings more than one turn (360°).

3. tighten again the stop nut with a torque of 20[Nm] (15[lb-ft]) until the washer comes into contact with it.

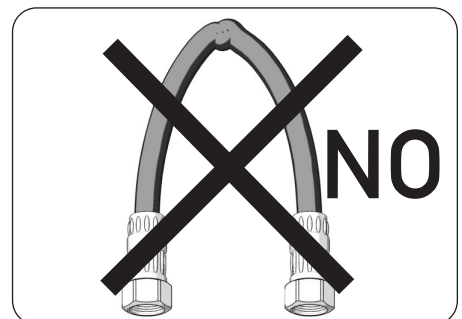
Screw the hoses on the cylinder fittings with a torque of 20[Nm] (15[lb-ft]) according to the following instructions:

- minimum hose bend radius 250 mm;
- no interference during engine tilting;
- no interference with the transom;



⚠ WARNING

An excessive hose bend could result in its internal breaking which will cause a bad operation of the system. In this case it is necessary to replace the damaged hose.



ENGLISH



3.5 Type of installation

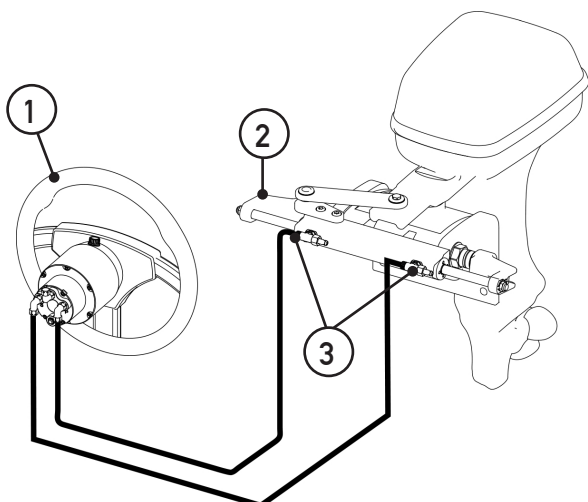


The UC95-OBF hydraulic cylinder for outboard engines can be installed with a single or dual steering system. The possible configurations are:

⚠ CAUTION

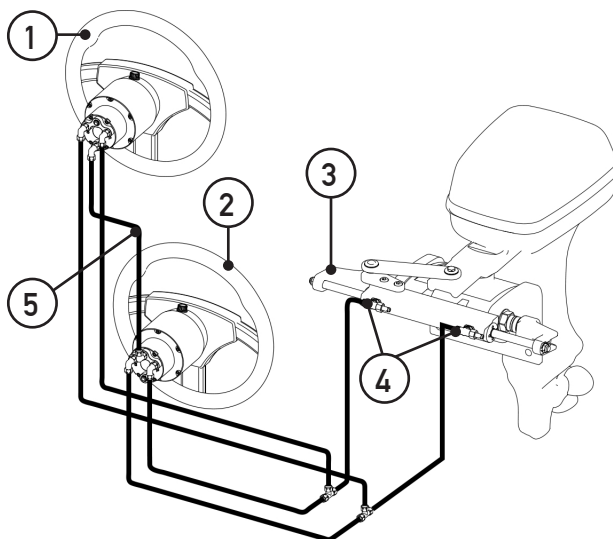
Connect hoses as shown in the following pictures:

SINGLE STATION / SINGLE CYLINDER:



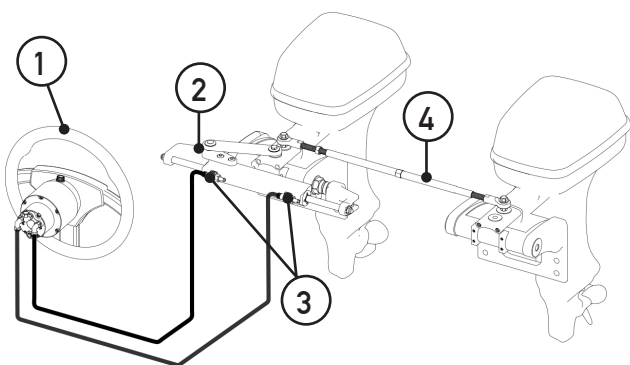
1. helm
2. cylinder
3. bleed valves

DUAL STATION / SINGLE CYLINDER:



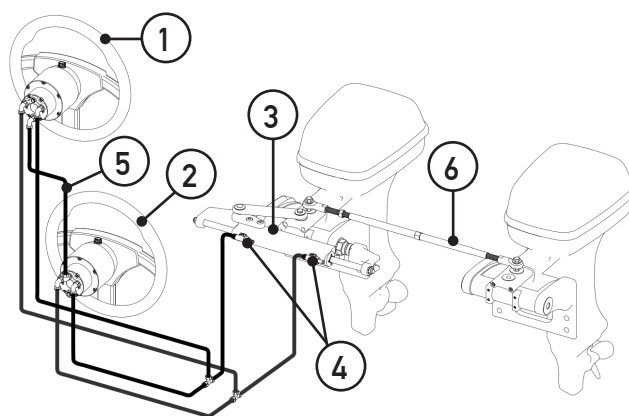
1. upper station helm
2. lower station helm
3. cylinder
4. bleed valves
5. kit OB-2S

SINGLE STATION / SINGLE CYLINDER / DUAL ENGINE:



1. helm
2. cylinder
3. bleed valves
4. tie bar type A92

DUAL STATION / SINGLE CYLINDER / DUAL ENGINE:



1. upper station helm
2. lower station helm
3. cylinder
4. bleed valves
5. kit OB-2S
6. tie bar type A92



3.6 Filling and purging



After the first installation and after maintenance operations it is necessary to fill the system with hydraulic oil. This operation must avoid the air in the system, to ensure the good system operation. The hydraulic system must be filled from the highest point of the system, which means from the upper steering station.

⚠ CAUTION

To avoid air bubbles in the oil, it is necessary to fill the tank slowly.

⚠ WARNING

The filling and bleeding operations must be carried out at least by two operators.

⚠ DANGER

Use **ULTRAFLEX** oil or other compatible oils.

Hydraulic oil OL150 has been specifically formulated for **ULTRAFLEX** to ensure high quality performance level of **ULTRAFLEX** products throughout time.

Its special "Zinc Free" formula enhances protection against marine oxidation. The special mix of anti-wear and stabilizing components of OL150 allow ensuring great results as far as the product duration and performances are concerned in several environmental conditions.

ULTRAFLEX hydraulic oil complies with standard ISO 10592 concerning hydraulic steering systems. **ULTRAFLEX** is not to be held responsible for any damages or performance deterioration if oils different from OL150 are used.

⚠ DANGER

Do NOT use ATF Dexron II transmission oils or brake oils which could cause the steering system seizing.

Oils which are compatible with OL150 **ULTRAFLEX** are:

- Shell Tellus T15 and Shell Tellus T22
- Mobil DTE 11M

NOTICE

ULTRAFLEX will not be able to ensure the compatibility of the above mentioned oils with OL150 if the oil manufacturers vary their formulation; in particular, it will not be able to ensure its compliance with standard ISO 10592 concerning hydraulic steering systems. Under no circumstances **ULTRAFLEX** is to be held responsible for any damages or performance deterioration.

In the days after the filling, check the oil level; if necessary top off the system.

At the beginning the oil level can lower, as small amounts of air can be released in a homogeneous way.

⚠ DANGER

After 24 hours repeat the purging and check the absence of leaks.

3.6.1 Positioning of the oil bottle

The oil filling must be carried out by using the proper kit (including spout, flexible hose, fitting and pin) which is NOT supplied.

- Remove the pump cap and insert the fitting.
- Attach the spout to a new bottle of hydraulic oil and connect the hose to the fitting and the bottle spout.
- Turn the bottle upside down and pierce it with the supplied pin, as shown in the picture, to ease the oil passage towards the pump. Fill the pump until no air bubbles are visible in the hose.

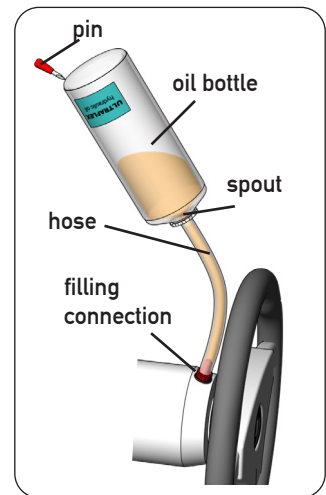


⚠ WARNING

While replacing the oil bottle, during the filling process, close all the bleed valves on the cylinder/s. To bleed the system, check that oil is always present in the filling hose. If some air is in the system during the bleeding process, the whole bleeding process must be started again.

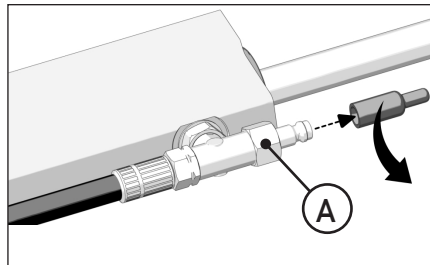
⚠ CAUTION

Replace the bottle before it empties and use recovered oil only after 24 hours.



3.6.2 Single steering station/ single cylinder

- Unscrew the two bleed valve protections and loosen 1.5 turns max. the nuts "A" of the two bleed valves.

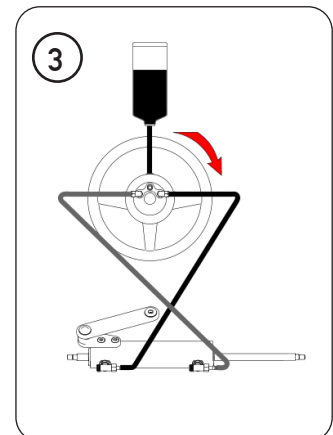
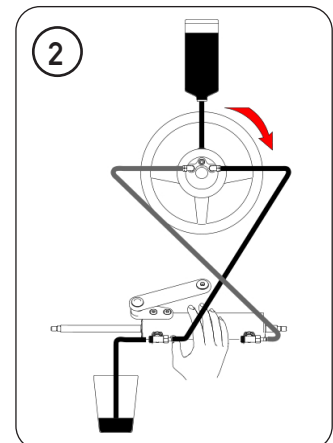
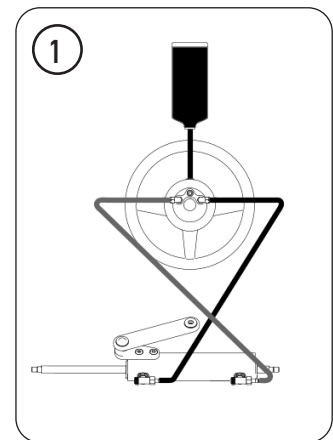


- Manually push the cylinder body to one side until it stops as shown in picture 1.
- Position the oil bottle as explained in paragraph 3.6.1.
- Close the bleed valve on the cylinder end stroke side and put a purged oil tank near the other bleed valve (as shown in picture 2).
- Turn the steering wheel slowly (as shown in picture 2) so that the oil can come out of hoses.

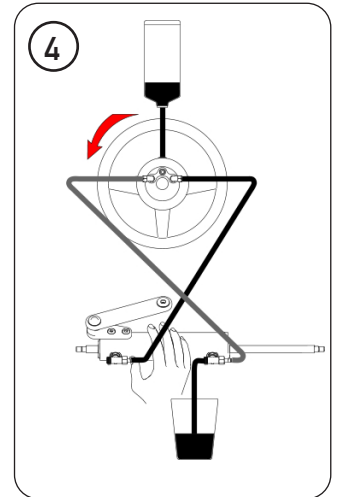
NOTICE

Hold the cylinder body with the hand to prevent movements caused by the air present in the cylinder chamber (picture 2).

- When the oil comes out of the bleed valve (without air bubbles), close the bleed valve and continue to turn the steering wheel in the same direction to fill the cylinder chamber (picture 3). During this phase the cylinder body will move to the opposite direction up to the end stroke.



- Open the other bleed valve and move purged oil tank to the other side. Holding the cylinder body in this position, turn the steering wheel as shown in picture 4, until oil without air bubbles comes out of the bleed valve. Then close the bleed valve.
- Repeat the entire procedure to ensure the absence of air in the system.



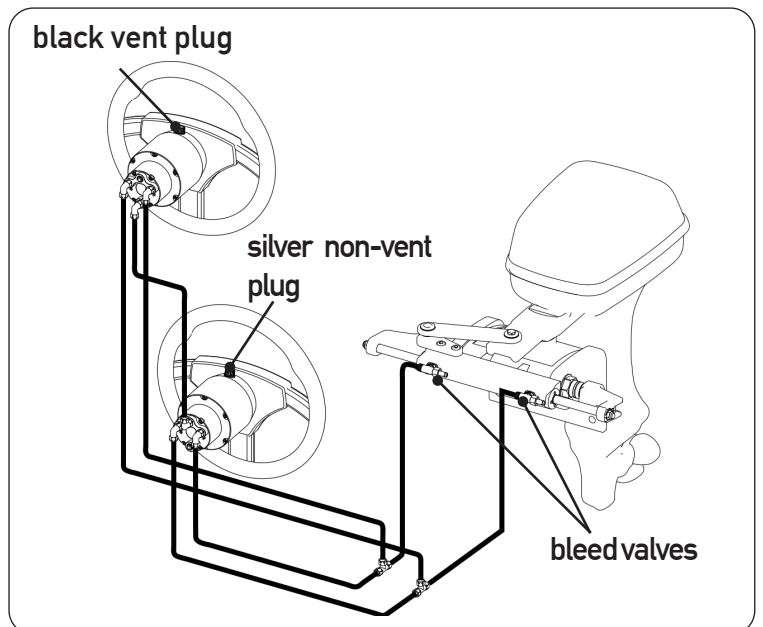
3.6.3 Dual steering station/ single cylinder

- Manually unscrew the two bleed valves on the cylinder and push the cylinder to one side up to the end stroke.
- Position the oil bottle near the main steering station (upper) according to what is described in paragraph 3.6.1.

⚠ WARNING

Wait until the oil reaches the lower tank and both tanks are filled.

- Follow the same bleeding procedure described in paragraph 3.6.2 starting from the lower station and repeat it for the upper station.



⚠ WARNING

For the additional steering station (lower) tank use only the silver non-vent plug (supplied with the "kit OB-2S"). For the main steering station (upper) tank use only the black vent plug.

- Repeat the procedure at least 3 times to ensure the absence of air in the system.



3.7 General recommendation

⚠ WARNING

It is very important to check the absence of air in the system before using the boat! We recommend trying to manually move the engine towards port and starboard, making sure that there is no movement of the cylinder body on the main cylinder shaft.

If the cylinder body moves more than 1/6 inches (15mm), there is still air in the system. The air presence in the system can cause bad responses to the controls and so it can cause damage, injuries or death.



4 SAFETY WARNINGS

This section shows the safety rules which must be followed for the correct equipment operation. We recommend reading carefully this section and also the other manuals supplied with the steering system components.

4.1 Safety warnings during use and installation

RESPECT STRICTLY the following safety rules:

ULTRAFLEX declines all responsibility in case the user does not follow these rules and it is not responsible for negligence during the use of the system.

DANGER

- DO NOT PUT HANDS BETWEEN THE MOVING PARTS.
- Do not disable the safety devices.
- Do not modify or add devices to the system, without **ULTRAFLEX** written authorisation or technical intervention which will prove the modification.
- Do not use the equipment for a purpose different from the one it has been designed for, which is specified in the installation and maintenance manual.
- Do not let non-specialized staff perform the installation.
- Do not disassemble the hydraulic connections before bleeding the oil in the system completely. The hoses can contain high pressure oil.

WARNING

- Do not put the feet on the cylinder.
- Check the system after the installation and the purging but before operating the vessel. Turn the steering wheel until the cylinder/s reaches/reach the end stroke.
- Turn the steering wheel to the opposite direction. Repeat on each installed helm to verify the correct installation and the system operation.
- Carefully use sealing fluid (such as Loctite). If it reaches the hydraulic system, it may cause damage and mechanical failure.
- Do not use teflon tape or adhesive tape to seal the fittings, as this material may be injected, by causing the system fail.
- During the system installation, prevent foreign matters from entering the system. Even a little object may cause lasting damage that are not detected immediately.
- Avoid too narrow bend radius of hoses.
- Avoid the hose contact with edges or sharp corners.
- Avoid the hose contact with heat sources.

4.2 Clothing

WARNING

During installation, inspection or maintenance.

IT IS STRICTLY FORBIDDEN to wear necklaces, bracelets or clothes which could get caught in the moving parts.



5 MAINTENANCE

5.1 Ordinary maintenance

⚠ WARNING

Poor installation and maintenance may result in loss of steering and cause property damage and/or personal injury. Maintenance requirements change according to climate, frequency and the use. Inspections are necessary at least every year and must be carried out by specialized marine mechanics. Check the cylinder fittings and the seals and the helm gaskets to prevent leaks. Replace them if necessary. To keep a suitable oil level in the tank, fill and bleed the system as described in this manual in paragraph 3.6.

Check the hose and the entire system wear, the nut and bolt tightening every six months and make sure that they are not damaged. Clean the system using water and non-abrasive soap.

⚠ WARNING

Use only compatible hydraulic oils, indicated in the paragraph "technical features" and "filling and purging". Do not use brake oils or automatic transmission fluid (ATF) in any case.

⚠ WARNING

After the first 10 hours of use and then periodically check the connection integrity and tightening.

⚠ CAUTION

If the locknuts are disassembled, replace them. (Contact our assistance service, see page 6).

5.2 Head replacement

If, after some time, oil leakages due to normal wear or poor maintenance are detected from head gaskets, replace them.

⚠ WARNING

If worn heads are not replaced, the cylinder cannot work properly, thus jeopardizing the safety of the user.

ULTRAFLEX supplies a proper kit containing the components to be used for replacement.

NOTICE

The kit is supplied with the replacement instructions.



5.3 Troubleshooting

⚠ WARNING

Whenever the following checks need the removal and/or disassembly of the steering system components, such work must be carried by specialized staff. **ULTRAFLEX** offers general information only and is not responsible for any consequences resulting from incorrect disassembly.

PROBLEM	CAUSE	SOLUTION
During the filling, the steering system becomes completely jammed.	<ul style="list-style-type: none"> Blockage in the hoses between steering system and cylinder. 	<ul style="list-style-type: none"> Replace hoses. <p>⚠ WARNING</p> <p>The damaged hose must be replaced, otherwise it may cause loss of steering and severe personal injury or property damage.</p>
The system is very difficult to fill. Air keeps bubbling at the top of the steering system tank even after filling the system completely.	<ul style="list-style-type: none"> Air in the system. 	<ul style="list-style-type: none"> Repeat the filling and the bleeding procedure of the system. Install horizontally the hoses and in any case with a maximum inclination of 3cm each meter.
	<ul style="list-style-type: none"> Leaks from the cylinder bleeder. 	<ul style="list-style-type: none"> Tighten the bleeder on the cylinder.
	<ul style="list-style-type: none"> Coiled hose. 	<ul style="list-style-type: none"> Uncoil and straighten the hose.
	<ul style="list-style-type: none"> Helm has been mounted upside down. 	<ul style="list-style-type: none"> Mount the helm with the filling hole in up position.
The steering system is stiff and hard to turn, even when the boat is not moving.	<ul style="list-style-type: none"> Restrictions in hoses or fittings 	<ul style="list-style-type: none"> Look for and remove the restriction.
	<ul style="list-style-type: none"> Air in oil 	<ul style="list-style-type: none"> Repeat the filling and the bleeding procedure of the system.
The steering system is stiff and hard to turn, even when the boat is not moving.	<ul style="list-style-type: none"> Wrong oil has been used. 	<ul style="list-style-type: none"> Drain the filling and bleeding system. <p>⚠ WARNING</p> <p>ULTRAFLEX is not responsible for damage caused by fluids that are not recommended in this manual and so the warranty is cancelled.</p>
The steering system is stiff and hard to turn, even when the boat is not moving, if unbalanced cylinders are used.	<ul style="list-style-type: none"> Dirt in the valve. 	<p>⚠ WARNING</p> <p>Do not use the boat and contact a specialized technician for the valve cleaning.</p>



<p>The steering system is easy to turn at the dock but becomes hard to turn when the boat is in motion.</p>	<ul style="list-style-type: none"> The steering wheel is too small. 	<ul style="list-style-type: none"> Replace the steering wheel with a bigger one. <p>⚠ WARNING Only within the maximum dimensions allowed by the helm.</p>
	<ul style="list-style-type: none"> Incorrect setting of the torque tab. 	<ul style="list-style-type: none"> Adjust the torque tab.
	<ul style="list-style-type: none"> Air in oil. 	<ul style="list-style-type: none"> Check the oil level and repeat the bleeding procedure as explained in this manual.
<p>When the steering wheel is turned, the rod (movable rod cylinders) or the body (fixed cylinder rod) of the cylinder do not move.</p>	<ul style="list-style-type: none"> Air in the system. 	<ul style="list-style-type: none"> Repeat the filling and bleeding procedure of the system.
	<ul style="list-style-type: none"> Oil leak. 	<ul style="list-style-type: none"> Look for the leak and contact specialized staff.
	<ul style="list-style-type: none"> Helm mounted upside down. 	<ul style="list-style-type: none"> Mount the helm with the filling hole in up position.
<p>Leaks from steering system fittings.</p>	<ul style="list-style-type: none"> Bad tightening or low torque of the fittings. 	<ul style="list-style-type: none"> Tighten the fittings with a maximum torque of 20Nm (15 in.lbs).
	<ul style="list-style-type: none"> Lack of fitting sealant. <p>⚠ WARNING Never use teflon tape or adhesive tape on any fitting.</p>	<ul style="list-style-type: none"> Drain and disassemble the steering system. Remove the fittings and remove the oil from threads. Put the sealant on the fittings and tighten them, install the helm. <p>⚠ WARNING After this operation it is necessary to carry out another bleeding.</p>
<p>Leaks from the tank plug.</p>	<ul style="list-style-type: none"> Bad tightening of the plug. 	<ul style="list-style-type: none"> Tighten the plug.
	<ul style="list-style-type: none"> The vent plug (black) on the additional helm is in the lower position. 	<ul style="list-style-type: none"> Replace the vent plug (black) with the plug for the additional helm kit (silver).
	<ul style="list-style-type: none"> Worn and damaged seal. 	<ul style="list-style-type: none"> Replace the plug.
	<ul style="list-style-type: none"> Too high oil level. 	<ul style="list-style-type: none"> Follow the procedure to maintain the suitable oil level, which is described in the pump manual.



6 DISMANTLING

6.1 Dismantling

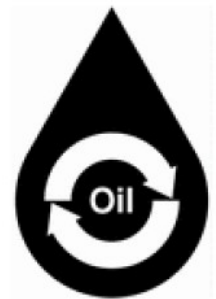
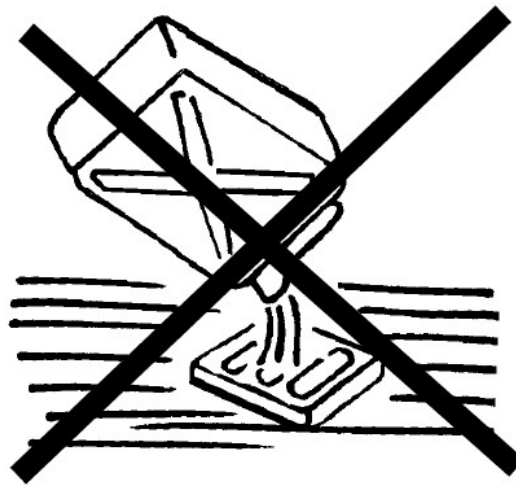
When for any reason, the steering system is put out of service, it is necessary to follow some rules in order to respect the environment.

Sheaths, pipelines, plastic or non-metallic components must be disassembled and disposed of separately.

The steering system **CONTAINS POLLUTING OILS**
which must be disposed of according to the rules in force in the country.



RECYCLE
BECACTE



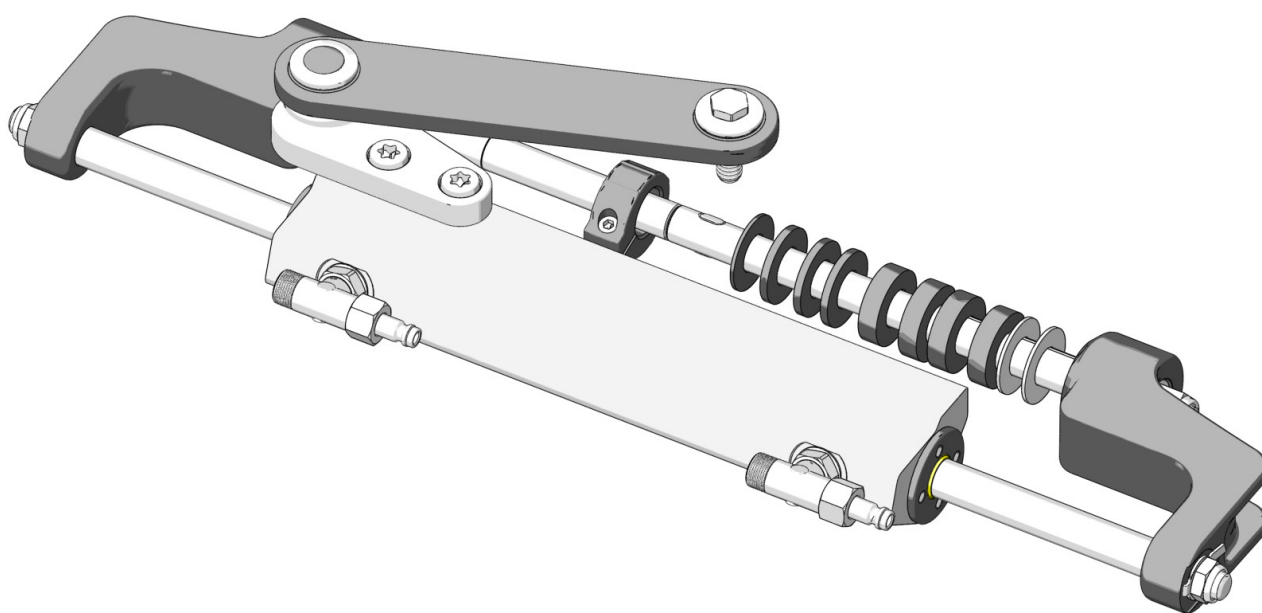
NOTES

ENGLISH

Manuale di installazione e manutenzione

CILINDRO IDRAULICO PER
MOTORI FUORIBORDO

UC 95-0BF



CE



ULTRAFLEX



ISO 9001=ISO 14001



Gentile Cliente,

La ringraziamo per aver scelto un prodotto **ULTRAFLEX**.

ULTRAFLEX è da anni un punto di riferimento nei sistemi di guida nel settore della nautica da diporto e professionale.

Da sempre la produzione **ULTRAFLEX** è sinonimo di grande affidabilità e sicurezza.

Tutti i prodotti **ULTRAFLEX** sono progettati e prodotti per garantire sempre le prestazioni migliori, relativamente allo scopo per cui sono concepiti.

Per tutelare la Vostra sicurezza e per mantenere sempre un alto livello qualitativo **ULTRAFLEX** garantisce i propri prodotti solo se utilizzati con i ricambi originali.

I Sistemi di Gestione Qualità **ULTRAFLEX** ed **UFLEX** sono certificati dal DNV-GL Det Norske Veritas -Germanischer Lloyd, in conformità alla Norma UNI EN ISO 9001:2015.

Il sistema Qualità coinvolge tutte le risorse ed i processi aziendali a partire dalla progettazione, per:

- garantire al cliente la qualità del prodotto;
- impostare le azioni per mantenere e migliorare nel tempo gli standard di qualità;
- perseguire un continuo miglioramento dell'efficacia e dell'efficienza dei processi per poter essere sempre in sintonia con le esigenze del mercato ed accrescere la soddisfazione dei Clienti.

Il sistema di Gestione Ambientale **ULTRAFLEX** è certificato dal DNV-GL Det Norske Veritas - Germanischer Lloyd in conformità alla Norma UNI EN ISO 14001:2015.

I prodotti destinati alla nautica da diporto vengono costantemente controllati per verificare la rispondenza ai requisiti imposti dalla direttiva 2013/53/UE.



"**ULTRAFLEX**, con più di 85 anni di esperienza nel settore nautico è oggi leader globale nella produzione di sistemi di guida meccanici, idraulici ed elettronici, scatole di comando e volanti per imbarcazioni a motore da diporto, da pesca o da lavoro di ogni dimensione e tipo di motorizzazione.

L'affidabilità dei nostri prodotti ed il servizio ante e post vendita, la qualità dell'organizzazione aziendale e delle risorse umane insieme agli investimenti continui in ricerca e sviluppo sono fattori determinanti per spiegare il successo crescente dei nostri prodotti ovunque nel mondo".

ULTRAFLEX Sp.A.

16015 Casella (Genova) Italia - Via Crose, 2

INDICE GENERALE



INDICE DELLE REVISIONI DEL DOCUMENTO.....	30
USO DEL MANUALE E SIMBOLOGIA IMPIEGATA.....	31
LETTERA INFORMATIVA	32
GARANZIA.....	32

SEZIONE 1 - DESCRIZIONE DEL PRODOTTO



1.1 FUNZIONAMENTO DI UN SISTEMA DI GUIDA IDRAULICO.....	33
1.2 AVVERTENZE PER IL CORRETTO UTILIZZO DEL PRODOTTO	33
1.3 CONFIGURAZIONI.....	34
1.4 DESCRIZIONE DEL CILINDRO UC95-OBF	35
1.5 CARATTERISTICHE TECNICHE.....	35

SEZIONE 2 - TRASPORTO



2.1 AVVERTENZE GENERALI	36
2.2 CONTENUTO IMBALLO	36

SEZIONE 3 - INSTALLAZIONE



3.1 REQUISITI MINIMI DELLO SPECCHIO DI POPPA	37
3.2 UTENSILI NECESSARI	37
3.3 INSTALLAZIONE DEL CILINDRO STANDARD (STARBOARD)	38
3.4 INSTALLAZIONE TUBI	41
3.5 TIPI DI INSTALLAZIONE	42
3.6 RIEMPIMENTO E SPURGO.....	43
3.7 RACCOMANDAZIONE GENERALE	46

SEZIONE 4 - AVVERTENZE DI SICUREZZA



4.1 NORME DI SICUREZZA DURANTE L'INSTALLAZIONE E L'USO	47
4.2 ABBIGLIAMENTO.....	47

SEZIONE 5 - MANUTENZIONE



5.1 MANUTENZIONE ORDINARIA.....	48
5.2 SOSTITUZIONE TESTATE.....	48
5.3 RICERCA GUASTI	49

SEZIONE 6 - SMANTELLAMENTO



6.1 SMANTELLAMENTO.....	51
-------------------------	----

IMPORTANTE:

In allegato al presente manuale viene fornita la documentazione aggiuntiva denominata "Application Guide" e "Spare Parts List".


INDICE DELLE REVISIONI DEL DOCUMENTO


Rev.	Data	Descrizione della revisione
0	10/07/2020	Prima realizzazione


USO DEL MANUALE E SIMBOLOGIA IMPIEGATA

IL MANUALE DI INSTALLAZIONE E MANUTENZIONE è il documento che accompagna il prodotto dal momento della sua vendita fino alla sua sostituzione e smaltimento. Risulta cioè essere parte integrante dello stesso. E' richiesta la lettura del manuale prima che venga intrapresa QUALSIASI ATTIVITÀ che coinvolga il prodotto compresa la movimentazione e lo scarico dello stesso dal mezzo di trasporto.


Al fine di tutelare la sicurezza dell'utilizzatore e per garantire il corretto funzionamento del prodotto nel presente manuale è stata adottata la simbologia di seguito descritta.

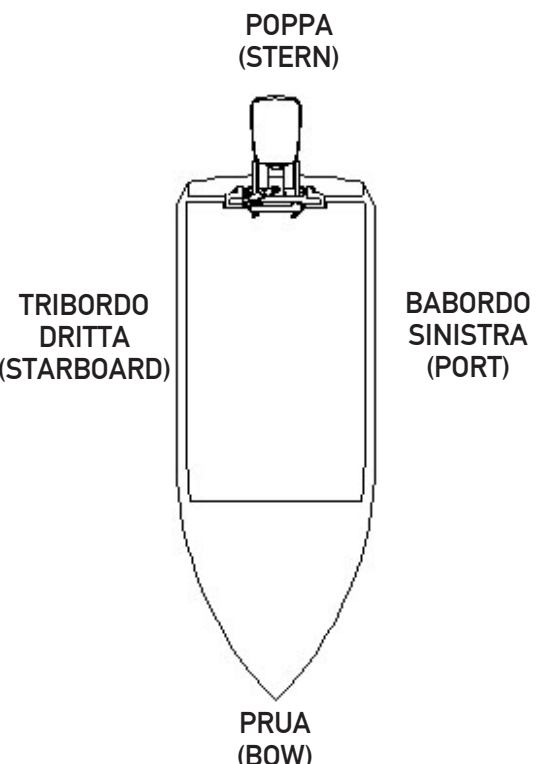
 **PERICOLO** ➔ Danni immediati che CAUSANO ferite gravi alla persona o che portano alla morte.

 **AVVERTENZA** ➔ Indica che esiste un pericolo che può causare lesione o morte se non sono adottate le precauzioni appropriate.

 **ATTENZIONE** ➔ Indica un richiamo all'applicazione di pratiche di sicurezza oppure richiama l'attenzione su pratiche non sicure che potrebbero causare lesione personale o danno all'imbarcazione o ai componenti o all'ambiente.

NOTA ➔ Informazione ritenuta importante per una installazione adeguata e per la manutenzione, che non è causa di danni.

 ➔ Le operazioni per la cui esecuzione si richiede, onde evitare possibili rischi, personale qualificato o specializzato sono evidenziate con il simbolo indicato a lato. Si raccomanda di formare il personale destinato all'installazione del prodotto e di verificare che quanto previsto sia compreso ed attuato.



➔ La figura a lato ha la funzione di facilitare l'interpretazione di alcuni termini nautici contenuti nel presente manuale.

LEGENDA

m.p.h. = miglia/ora
 km/h = chilometri/ora

10 m.p.h. = 8,69 nodi
 10 m.p.h. = 16,1 km/h
 10 nodi = 11,5 m.p.h.
 10 nodi = 18,5 km/h
 10 km/h = 6,21 m.p.h.
 10 km/h = 5,4 nodi

ITALIANO



LETTERA INFORMATIVA

Il presente manuale di installazione e manutenzione costituisce parte integrante del prodotto e deve essere facilmente reperibile dal personale addetto all'uso e alla manutenzione dello stesso.

L'utilizzatore è tenuto a conoscere il contenuto del presente manuale.

ULTRAFLEX declina ogni responsabilità per eventuali inesattezze dovute ad errori di stampa, contenute nel manuale. Ferme restando le caratteristiche essenziali del prodotto descritto, **ULTRAFLEX** si riserva il diritto di apportare eventuali modifiche di descrizioni, dettagli e illustrazioni, che riterrà opportuno per il miglioramento dello stesso, o per esigenze di carattere costruttivo o commerciale, in qualunque momento e senza impegnarsi ad aggiornare tempestivamente questa pubblicazione.

TUTTI I DIRITTI SONO RISERVATI. I diritti di pubblicazione, i marchi, le sigle e le fotografie dei prodotti **ULTRAFLEX** presenti in questo manuale sono di proprietà **ULTRAFLEX** che ne vieta qualsiasi riproduzione anche parziale. Ogni cura è stata posta nella raccolta e nella verifica della documentazione per rendere questo manuale il più completo e comprensibile possibile. Nulla di quanto contenuto nella presente pubblicazione può essere interpretato come garanzia o condizione espressa o implicita - inclusa, non in via limitativa, la garanzia di idoneità per un particolare scopo. Nulla di quanto contenuto nella presente pubblicazione può inoltre essere interpretato come modifica o asserzione dei termini di qualsivoglia contratto di acquisto.

AVVERTENZA

Al fine di assicurare il corretto funzionamento del prodotto e dei suoi componenti, lo stesso deve essere installato da personale esperto. In caso di rotture di parti componenti o malfunzionamento, rivolgersi al personale specializzato o contattare il nostro Servizio Assistenza Tecnica.

SERVIZIO ASSISTENZA TECNICA

UFLEX Sr.l.

Via Milite Ignoto,8A

16012 Busalla (GE)-Italia

Tel: +39.010.962.01

Email: service@ultraflexgroup.it

www.ultraflexgroup.it

Nord - Sud - Centro America:

UFLEX USA

6442 Parkland Drive

Sarasota, FL 34243

Tel: +1.941.351.2628

Email: sales@uflexusa.com

www.uflexusa.com

GARANZIA

ULTRAFLEX garantisce che i suoi prodotti sono costruiti a regola d'arte e che sono privi di difetti di fabbricazione e di materiali.

Questa garanzia è valida per un periodo di due anni decorrenti dalla data di fabbricazione dei prodotti ad eccezione dei casi in cui questi siano installati ed usati su barche da lavoro o comunque su barche ad utilizzo commerciale, nel qual caso la garanzia è limitata ad 1 anno dalla data di fabbricazione.

Questa garanzia è limitata alla sostituzione o riparazione gratuita del pezzo che, entro il termine suddetto, ci sarà restituito in porto franco e che rileveremo essere effettivamente difettoso nei materiali o/e nella fabbricazione.

È escluso dalla garanzia ogni e qualsiasi altro danno diretto o indiretto. In particolare, è escluso dalla garanzia e da ogni nostra responsabilità (tranne quella di sostituire o riparare, nei termini e condizioni suddette, i pezzi difettosi) il malfunzionamento dei nostri prodotti qualora il loro mancato o difettoso funzionamento sia attribuibile ad una errata installazione o ad uso negligente o improprio.

Questa garanzia non copre i prodotti installati su barche da corsa o utilizzate in contesti competitivi. Le descrizioni e le illustrazioni di questo manuale s'intendono fornite a titolo indicativo.

Per informazioni dettagliate si prega di contattare il nostro Servizio Assistenza.

I componenti dei sistemi di guida **ULTRAFLEX** sono marcati **CE** come richiesto dalla direttiva 2013/53/UE.

Vi ricordiamo che sulle imbarcazioni marcate **CE** è obbligatorio installare sistemi di guida i cui componenti siano marcati **CE**. Vi informiamo che la garanzia **ULTRAFLEX** decade automaticamente qualora alcuni componenti **ULTRAFLEX** siano installati in un sistema di guida insieme a prodotti di altre marche.

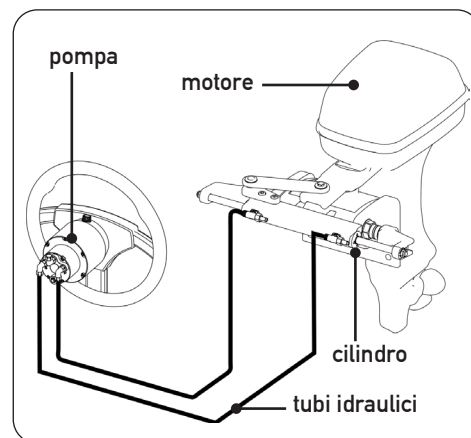


1 DESCRIZIONE DEL PRODOTTO

1.1 Funzionamento di un sistema di guida idraulico

Il sistemi idraulici di guida **ULTRAFLEX** sono progettati in conformità alla normativa UNI-EN-ISO 10592 ed alla A.B.Y.C. P21. I sistemi di guida **ULTRAFLEX** sono in grado di operare in un campo di temperatura ambiente compreso tra -18°C (0°F) e +77°C (+170°F), tutti i loro componenti sono stati realizzati specificatamente per l'ambiente marino, utilizzando materiali e processi di fabbricazione che offrono grande durata e sicurezza anche nelle condizioni più estreme.

Il sistema di guida idraulico in una imbarcazione è schematicamente costituito da una pompa posta sul cruscotto, da un cilindro posizionato a poppa e collegato al motore o al timone e dai tubi idraulici di collegamento (vedi figura). La rotazione del volante provoca il pompaggio dell'olio che, a seconda del senso di rotazione, affluisce, attraverso i tubi al cilindro. Il conseguente movimento del cilindro fa defluire l'olio verso la pompa attraverso i tubi e nello stesso tempo sposta il motore o il timone dell'imbarcazione collegati al cilindro stesso. Le pompe dotate di una valvola di non ritorno, che ha la funzione d'impedire il flusso dell'olio alla pompa se questa non viene azionata, rendono possibile il funzionamento dei sistemi con due o più stazioni di guida. I cilindri sono a doppia azione e possono essere bilanciati o non bilanciati. Nei cilindri non bilanciati le due camere hanno volumi differenti e pertanto richiedono, a parità di spostamento nei due sensi, un diverso numero di giri del volante e un diverso sforzo di rotazione sul volante. I cilindri bilanciati richiedono lo stesso numero di giri del volante per spostare il timone da centro a fine corsa nelle due direzioni opposte. Un sistema di guida equilibrato e facilmente manovrabile richiede una corretta scelta del tipo di pompa da accoppiare al cilindro. **ULTRAFLEX** costruisce diversi modelli di pompe, che differiscono per la portata (cm³ di olio movimentati ad ogni giro del volante) e per il tipo di installazione. Quando si sceglie la pompa bisogna considerare il volume del cilindro. Il numero di giri del volante da sinistra a destra è infatti determinato dal rapporto tra il volume del cilindro e la portata della pompa.



Esempio: se la pompa ha una portata di 20 cm³ [1,2cu.in.] e il cilindro ha un volume di 94 cm³ [5,7cu.in.] si applica la formula: $94/20=4,7$. Il volante pertanto ruoterà circa 4 volte e mezza prima che il cilindro sia completamente spostato da una parte all'altra. Non sono raccomandabili accoppiamenti con meno di 4 giri, che richiedono un'eccessiva forza di guida, o più di 8 giri che rendono lenta la risposta dell'imbarcazione alla timoneria. La pressione massima d'esercizio è di 7,0MPa (70 bar) (1000 PSI).

1.2 Avvertenze per il corretto utilizzo del prodotto

⚠ AVVERTENZA

Prima di iniziare l'installazione, riverificare la compatibilità di montaggio del cilindro UC95-0BF al motore consultando l'allegato "Application Guide" contenuto nell'imballo.

⚠ PERICOLO

In qualsiasi caso non modificare il cilindro di guida per adattarlo alla vostra applicazione. In questo caso il cilindro non opererà in sicurezza e metterà in pericolo l'imbarcazione e i suoi occupanti.

⚠ AVVERTENZA

I sistemi di guida **ULTRAFLEX** non devono essere applicati su imbarcazioni equipaggiate con motorizzazioni che superano le potenze massime installabili stabilite dal cantiere.

⚠ AVVERTENZA

I sistemi di guida idraulici **ULTRAFLEX** non sono consigliati per installazioni su barche da corsa.

⚠ PERICOLO

Per non compromettere l'integrità del prodotto è vietato smontare componenti che vengono forniti già preassemblati.

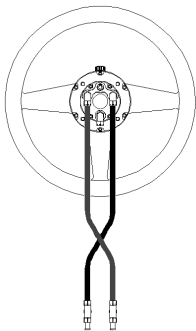


1.3 Configurazioni

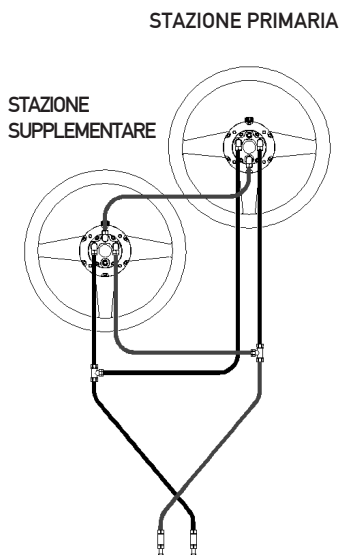
Il cilindro idraulico per motori fuoribordo modello UC95-0BF può essere installato su imbarcazioni con singolo motore o doppio motore e con singola o doppia stazione di guida.
La potenza massima del singolo motore o la potenza totale (combinata) massima dei due motori non deve eccedere i 175 hp.

NUMERO STAZIONI DI GUIDA

SINGOLA STAZIONE

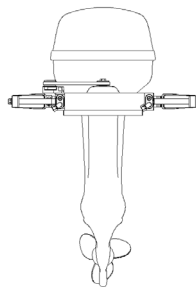


DOPPIA STAZIONE



NUMERO MOTORI

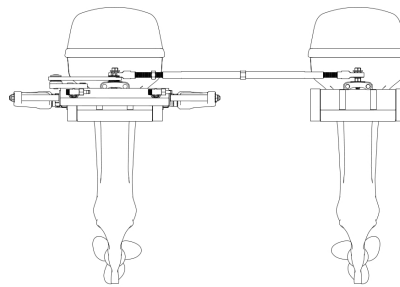
MOTORE SINGOLO



fino a 175hp max
o 55 m.p.h.

Con SINGOLO CILINDRO

MOTORE DOPPIO



fino a 175hp max
totali
o 55 m.p.h.

Con SINGOLO CILINDRO

e BARRA DI ACCOPPIAMENTO TIPO A92

Verificare la compatibilità della barra di accoppiamento con i motori

⚠ ATTENZIONE

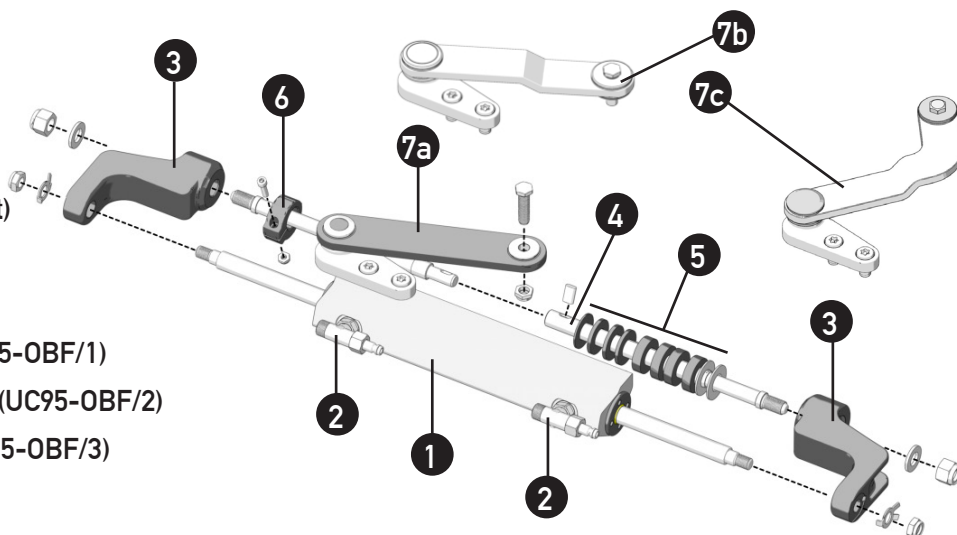
In caso di applicazioni anche con singolo motore la cui potenza ecceda i 175 hp o 55 m.p.h. è obbligatorio montare il cilindro **ULTRAFLEX** UC 128-0BF o UC 128-SVS.



1.4 Descrizione del cilindro UC95-OBF

L'UC95-OBF è un cilindro idraulico fuoribordo a montaggio frontale progettato e costruito per essere utilizzato come componente di un sistema di guida idraulico come descritto nel paragrafo precedente. Il cilindro viene applicato al tubo di tiltaggio dei motori disponibili in commercio come riportato nell'allegato "Application guide". Infatti grazie all'utilizzo di tre diversi braccetti di rinvio e di una serie di distanziali appositamente dimensionati, è possibile adattare il cilindro ad ogni tipo di installazione. Per applicazioni con doppio motore, il cilindro singolo deve essere montato con barra di accoppiamento (vedi par. 1.3). La figura di seguito mostra i componenti principali del cilindro:

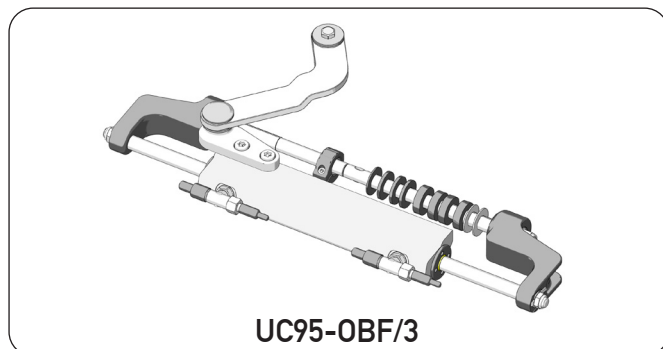
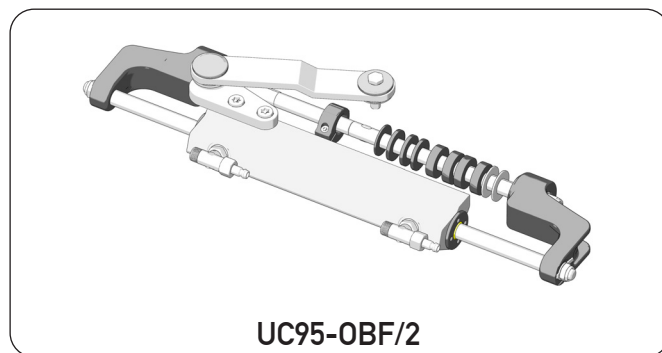
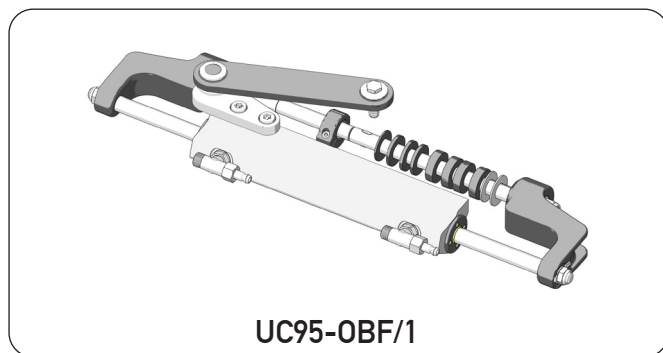
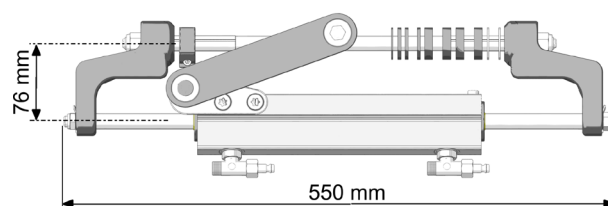
- 1 Corpo del cilindro
- 2 Raccordi di connessione e spurgo
- 3 Staffe
- 4 Asta tubo motore (barra Tilt)
- 5 Distanziali
- 6 Ghiera di regolazione fine
- 7a Braccio di rinvio dritto (UC95-OBF/1)
- 7b Braccio di rinvio sagomato (UC95-OBF/2)
- 7c Braccio di rinvio curvo (UC95-OBF/3)



ITALIANO

1.5 Caratteristiche tecniche

SPECIFICHE	UC95-OBF/1 -/2 -/3
Volume	94 cc - 5.7 cu. in
Spinta massima*	354 Kg - 780 lbs (@70 bar)
Diametro interno	30 mm - 1.18"
Corsa	186 mm - 7.3"
Olio	OL150 Ultraflex



⚠ ATTENZIONE

* La spinta del cilindro indicata è una spinta teorica calcolata con una pressione di sistema di 70 bar (1000 psi). Tale spinta non corrisponde a quella di normale utilizzo del sistema ma rappresenta la condizione limite di utilizzo.



2 TRASPORTO

2.1 Avvertenze generali

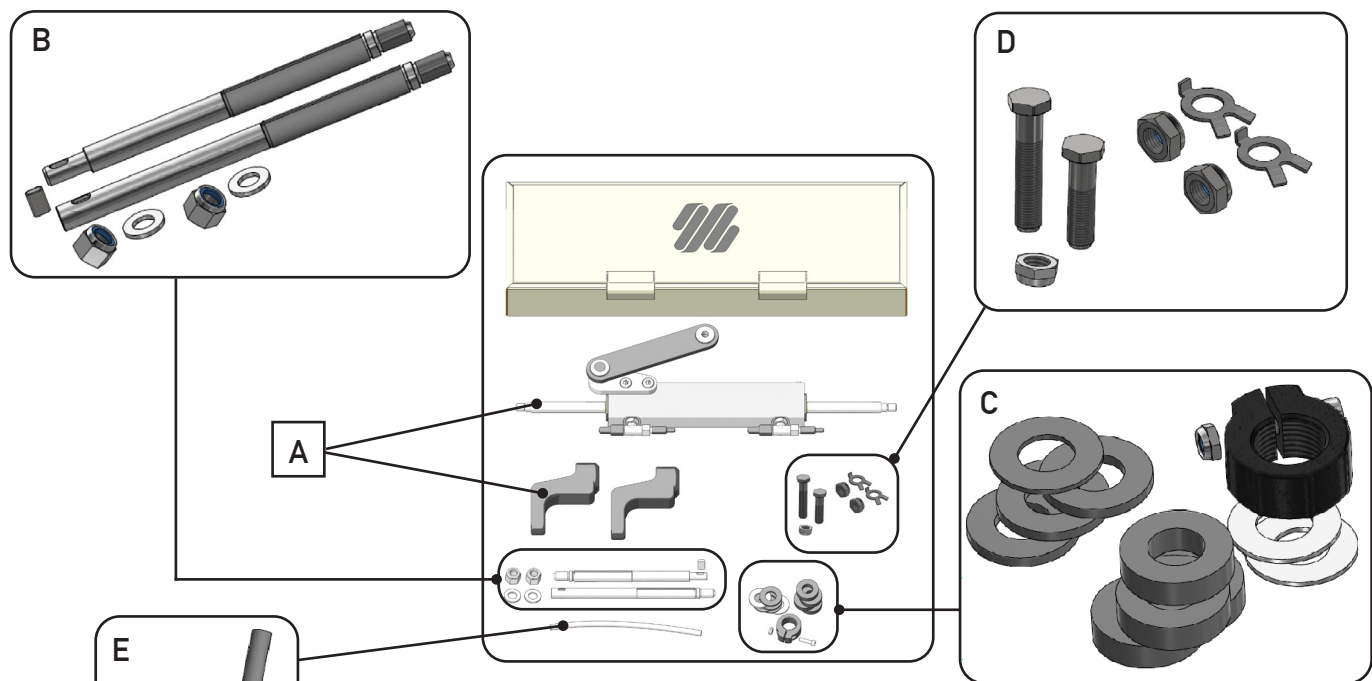
Il peso del prodotto con il suo imballo è 8Kg (18 pounds) e quindi la sua movimentazione può essere effettuata manualmente.

⚠ AVVERTENZA

Il personale addetto alla manipolazione del carico deve operare con guanti protettivi e scarpe anti infortunistiche.

2.2 Contenuto imballo

Prima dell'utilizzo dell'apparecchiatura verificare che non abbia subito danneggiamenti dovuti al trasporto o alle condizioni di conservazione. Verificare inoltre che tutti i componenti forniti di serie siano contenuti nell'imballo (vedi elenco). In caso di danneggiamento, notificare il reclamo allo spedizioniere ed avvisare il vostro fornitore.



CONTENUTO DELL' IMBALLO STANDARD:

- A) n°1 corpo del cilindro completo di stelo, raccordi e staffe;
- B) n°1 kit asta tubo motore composto da:
 - asta tubo motore (2 pezzi) + n°1 spina bloccaggio
 - n°2 dadi autobloccanti + n°2 rondelle;
- C) n°1 kit distanziali composto da:
 - n°8 distanziali in plastica;
 - n°2 distanziali in acciaio;
 - n°1 ghiera di regolazione fine completa di vite e dado;
- D) n°1 kit composto da:
 - n° 2 +1 dadi autobloccanti
 - n°2 rondelle di sicurezza
 - n°1 vite a testa esagonale corta
 - n°1 vite a testa esagonale lunga (cod. 73584U)
- E) n°1 tubo in plastica per spurgo circuito idraulico;

⚠ ATTENZIONE

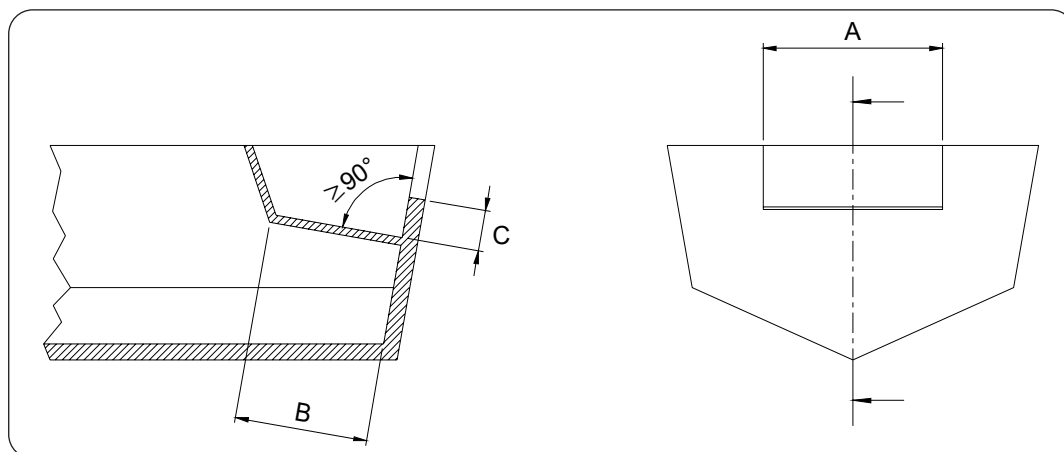
L'imballo deve essere smaltito secondo le direttive vigenti.



3 INSTALLAZIONE

3.1 Requisiti minimi dello specchio di poppa

Di seguito sono indicate le dimensioni minime del pozzetto. Queste dimensioni sono richieste per prevenire danni al cilindro, quando il motore fuoribordo è completamente ruotato verso l'alto (Tilt). Inoltre sono rappresentate le dimensioni dello specchio di poppa, per consentire l'installazione e il corretto funzionamento del cilindro di guida del motore.



DIMENSIONI MINIME RICHIESTE DEL POZZETTO			
Numero Motori	A	B	C
1	560 mm - 21.25"	305 mm - 12"	152 mm - 5.98"
2	1110 mm - 43.70"	305 mm - 12"	152 mm - 5.98"

⚠ AVVERTENZA

APPLICAZIONE DEL MOTORE CON PIASTRA DI SOLLEVAMENTO (JACK PLATE) ALLO SPECCHIO DI POPPA. L'installazione di una piastra di sollevamento cambierà tutti gli spazi liberi d'applicazione richiesti. Un nuovo controllo dello spazio libero deve essere completato con la rotazione del motore in abbinamento con il movimento verticale della piastra di sollevamento in tutte le posizioni possibili. Se il cilindro di guida va in contatto con il pozzetto, lo specchio di poppa, e/o la piastra di sollevamento, interrompere immediatamente l'installazione! Utilizzare le istruzioni del costruttore della piastra di sollevamento per limitare la direzione superiore o inferiore nella quale si presenta l'interferenza. Se questo non è possibile contattare personale specializzato.

3.2 Utensili necessari



Chiave maschio esagonale (bruggola) 5/32"



Chiave esagonale 3/4"



Chiave esagonale 14mm



Chiave esagonale 11/16"



Chiave esagonale 5/8"



Pinza



Chiave dinamometrica



MOLYKOTE® 1000

⚠ ATTENZIONE

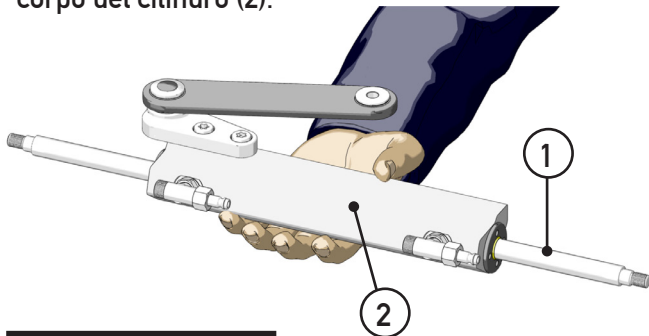
Durante le fasi di installazione utilizzare esclusivamente utensili in acciaio inox al fine di evitare l'ossidazione delle parti metalliche.



3.3 Installazione del cilindro



- 1 Dopo aver rimosso i tappi di protezione dei raccordi, centrare manualmente lo stelo (1) rispetto al corpo del cilindro (2).

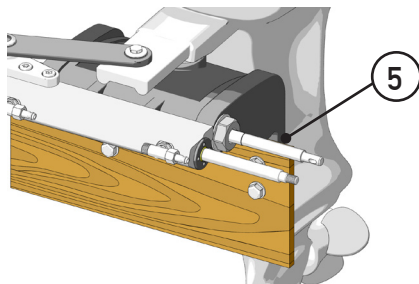


⚠ ATTENZIONE

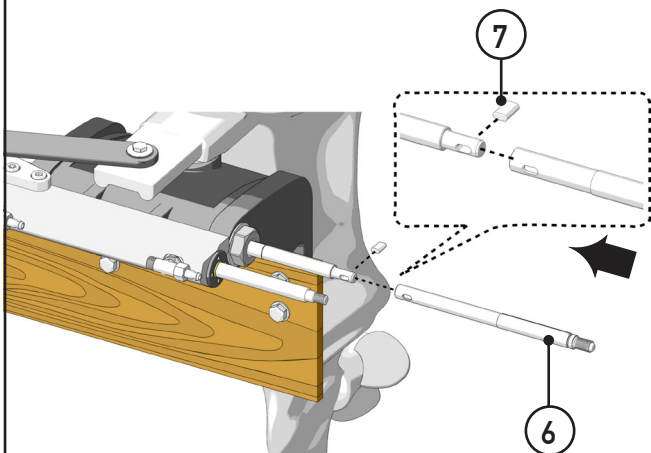
Durante questa fase si può verificare una piccola fuoriuscita di olio dai raccordi, tale olio non deve essere per nessun motivo riversato in mare.

- 4 Grease the two parts of which the tilt tube rod is made up (5) and (6), by using marine grease to prevent the corrosion of the metal parts.

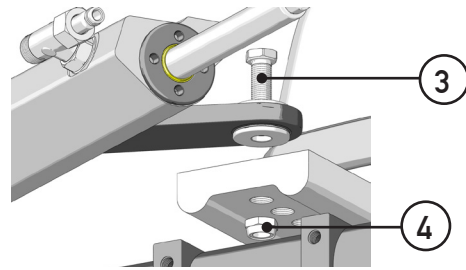
- 5 Insert the first part of the tilt tube rod (5) into the tilt tube.



- 6 Unire la seconda parte di asta (6) bloccandola con la spina (7), quindi tenendo la spina con una mano completare l'inserimento dell'asta tubo motore nel tubo motore.



- 2 Posizionare il motore dritto in modo che il suo braccetto risulti perpendicolare allo specchio di poppa.



- 3 Facendo riferimento alle modalità di applicazione del braccetto riportate nell'Application Guide, posizionare la vite (3) contenuta nel sacchetto D (vedi par. 2.2) e collegare il braccio di rinvio al braccetto motore. Serrare la vite con una coppia di serraggio di 40[Nm] (29.5 [lb-ft]). Avvitare il dado autobloccante (4) e serrarlo con una coppia di serraggio di 25[Nm] (18.5 [lb-ft]). Dopo aver serrato il dado (4), rivedificare la corretta coppia di serraggio 40[Nm] (29.5 [lb-ft]) della vite (3).

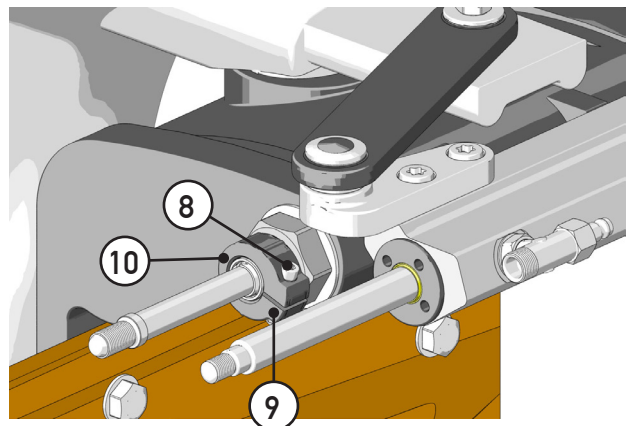
⚠ AVVERTENZA

Per il serraggio della vite (3) e del dado autobloccante (4) sul braccetto motore chiedere al proprio motorista quale sia la coppia massima ammessa. Se questa fosse inferiore a quella indicata nel presente manuale, serrare alla coppia indicata dal motorista.

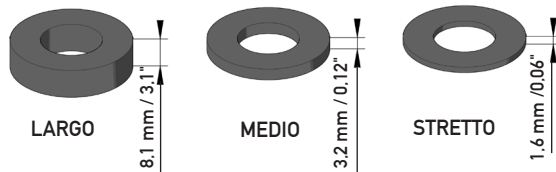
⚠ AVVERTENZA

E' importante verificare periodicamente, almeno ogni 3 mesi (o ogni mese per utilizzi professionali), il corretto serraggio di questa vite (3) e del dado autobloccante (4).

- 7 Posizionare la vite (8) e il relativo dado (9) sulla ghiera di regolazione fine (10) e avvitare quest'ultima sul lato destro del tubo motore fino a portarla in battuta.



8 Facendo riferimento all' "Application Guide" individuare i distanziali necessari da posizionare sull'asta motore.



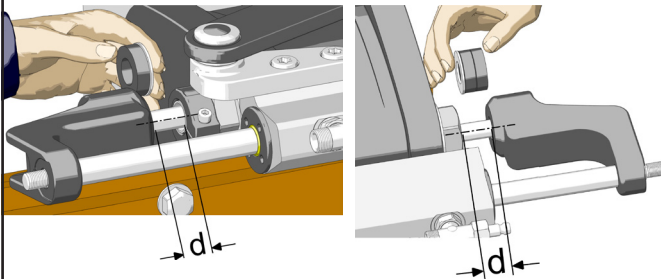
AVVERTENZA

La scelta del numero di distanziali indicati nell'Application Guide e il loro posizionamento è da considerarsi puramente indicativa.

NOTA

In questa fase assicurarsi che il corpo del cilindro sia perfettamente centrato rispetto allo stelo e che il motore sia perfettamente perpendicolare rispetto allo specchio di poppa.

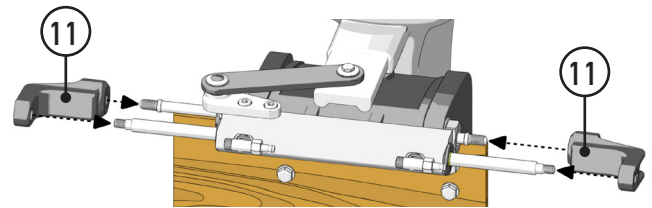
10 Individuare i distanziali da utilizzare per compensare lo spazio tra ghiera e bullhorn d_1 e d_2 tra tubo motore e bullhorn. Considerando lo spessore della rondella in inox.



AVVERTENZA

Prevedere sempre un minimo di gioco tra distanziali e staffa tale da consentire la rotazione dell'asta all'interno del tubo motore.

9 Inserire le due staffe destra e sinistra (bullhorns) (11) collegando stelo ed asta motore come indicato in figura.



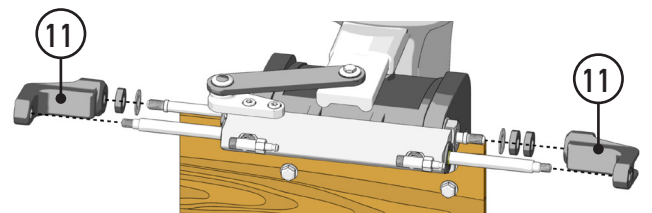
11 Una volta identificati i distanziali corretti, sfilare le staffe.

12 Inserire i distanziali in plastica e quelli in inox e le due rondelle inox sull'asta motore.

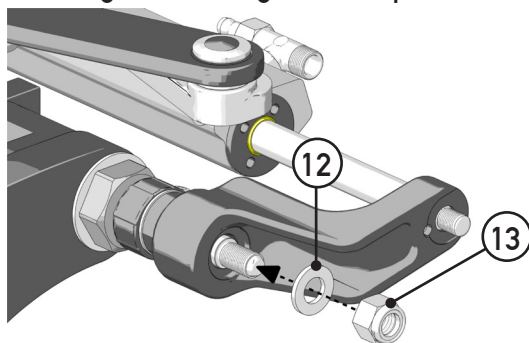
NOTA

I distanziali in acciaio inox devono essere posizionati entrambi verso il tubo motore dal lato opposto alle staffe per evitare l'usura degli stessi durante il sollevamento e l'abbassamento del motore.

13 Inserire le due staffe destra e sinistra (bullhorns) (11) collegando stelo ed asta motore come indicato in figura.



14 Inserire le rondelle (12) sulle due estremità dell'asta del tubo motore ed avvitare entrambi i dadi (13), con una coppia di serraggio 70[Nm] (52[lb-ft]), dopo averli ingrassati con grasso di tipo marino.



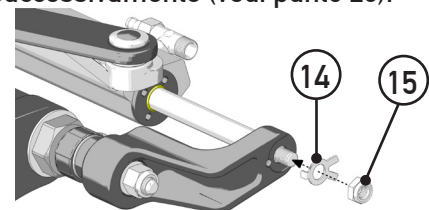
AVVERTENZA

Verificare la corretta coppia di serraggio di entrambi i dadi.

15 Posizionare le rondelle di sicurezza (14) e avvitare entrambi i dadi di bloccaggio (15) con una coppia di serraggio di 60[Nm] (44 [lb-ft]).

NOTA

Le alette della rondella di sicurezza devono essere piegate successivamente (vedi punto 20).



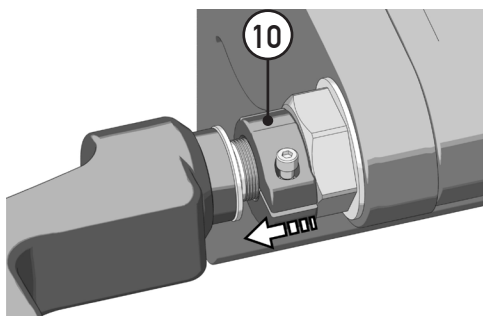
16 Verificare che il motore possa tiltare.

AVVERTENZA

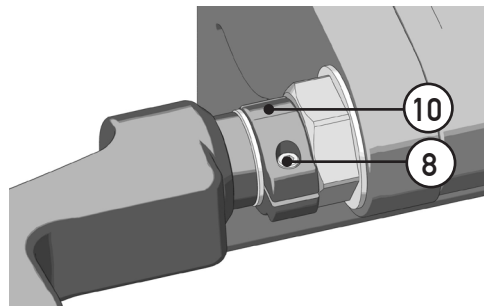
Se tiltando il motore risulta bloccato ridurre l'ingombro totale dei distanziali.



- 17 Svitare manualmente la ghiera di regolazione fine (10) portandola in battuta sulla rondella in inox, fino al completo recupero dei giochi.



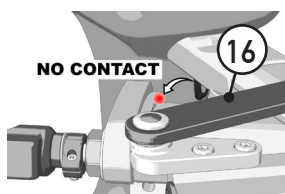
- 19 Serrare la vite (8) della ghiera di regolazione fine (10) con una coppia di serraggio di 3[Nm] (2 [lb·ft]).



- 18 Verificare la corretta installazione del cilindro muovendo manualmente il motore a destra e a sinistra.

NOTA

La rotazione deve essere il più possibile simmetrica in modo da avere lo stesso angolo di sterzata da entrambe le parti.



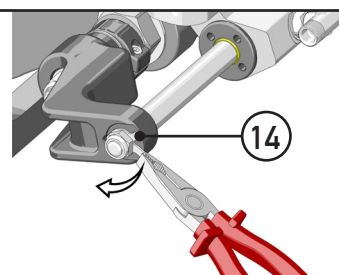
AVVERTENZA

L'arresto del motore deve avvenire attraverso il fine corsa del cilindro senza andare in battuta sul fermo meccanico (16) presente sul motore.

NOTA

In caso contrario occorre modificare l'installazione, cambiando gli spessori dei distanziali utilizzati e ripetere la procedura dal punto 13.

- 20 Pieghare le alette delle rondelle di sicurezza (14) portandole in battuta sulla testa dei dadi facendo attenzione a non danneggiare le staffe utilizzando una pinza.



- 21 Verificare nuovamente il corretto movimento del motore sia durante la sua rotazione destra/sinistra e sia durante il suo tiltaggio.

AVVERTENZA

In questa fase deve essere riscontrato un gioco sufficiente ad evitare attriti e non eccessivo da causare l'instabilità del motore. In caso di contatto con lo specchio di poppa sospendere l'installazione e contattare personale specializzato.

NOTA PER L'INSTALLAZIONE

La vite identificata dal codice 73584U (fig.C) è la vite di collegamento del braccetto cilindro al braccetto motore che deve essere utilizzata con i seguenti motori:

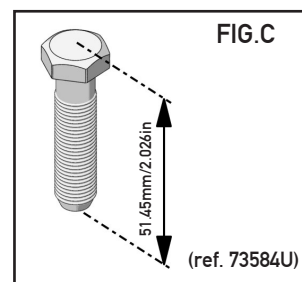
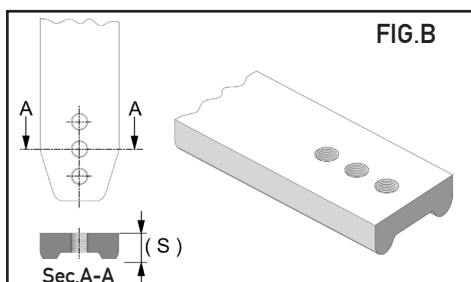
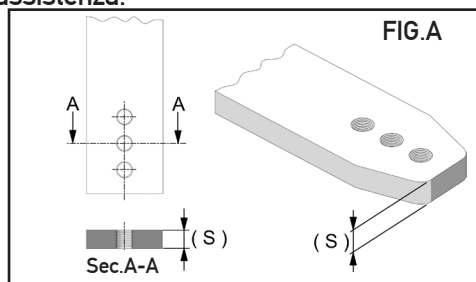
- SUZUKI 100-115-140 (2008 - oggi).

- Motori con braccetto motore di forma come in Fig.A e di spessore (S) compreso tra 10 e 22 mm (0.4" e 0.85").

Per gli altri motori con braccetto motore di forma come in Fig.A e di spessore (S) max. 10 mm (0.4"), utilizzare la vite di collegamento standard, più corta della vite cod. 73584U.

Nel caso di braccetti motore con la forma riportata in Fig.B è necessario acquistare il KIT cod. 41954W (non incluso nel presente sacchetto) contenente l'apposito distanziale.

Nel caso di braccetti motore con geometria e spessori diversi da quelli precedenti è necessario contattare il servizio d'assistenza.



ATTENZIONE

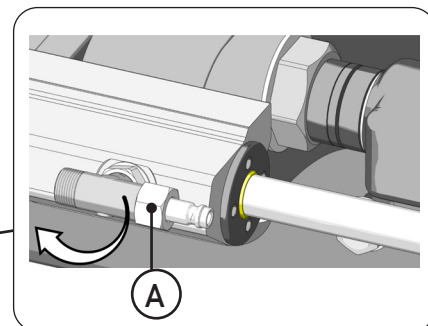
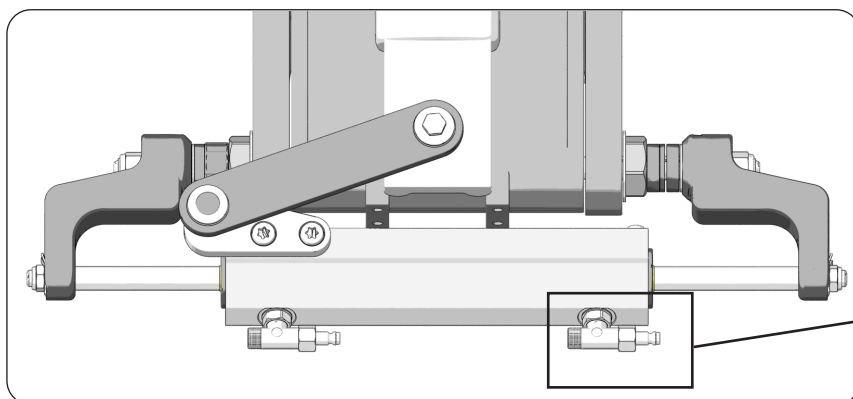
Verificare dopo l'installazione che la parte in nylon del dado autobloccante sia avvitata sul filetto della vite.



3.4 Installazione tubi



I due raccordi montati sul corpo del cilindro sono già orientati e pronti per essere utilizzati. Se per motivi pratici dovesse sorgere la necessità di modificarne l'orientamento rispettare quanto indicato di seguito.



1. allentare il dado di bloccaggio (A) con una chiave da 11/16";
2. orientare il raccordo a seconda delle necessità;

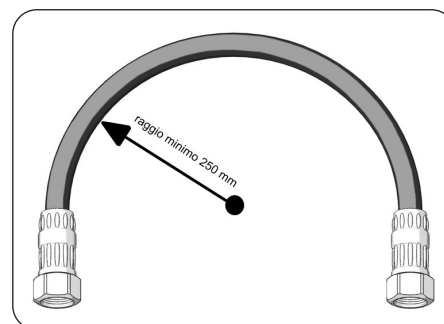
⚠ PERICOLO

Non svitare i raccordi oltre un giro (360°).

3. serrare nuovamente il dado di bloccaggio con una coppia di serraggio di 20[Nm] (15[lb-ft]) fino a portare la rondella in battuta.

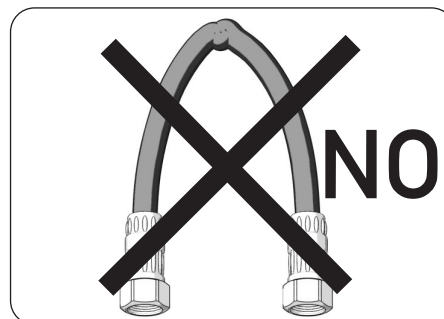
Avvitare i tubi sui raccordi del cilindro con una coppia di serraggio di 20[Nm] (15[lb-ft]), rispettando quanto segue:

- raggio minimo di curvatura dei tubi 250 mm;
- assenza di interferenza durante il tiltaggio del motore;
- assenza di interferenze con lo specchio di poppa;



⚠ AVVERTENZA

Una curvatura eccessiva del tubo potrebbe causarne la rottura interna compromettendo il buon funzionamento del sistema. In tal caso occorre sostituire il tubo danneggiato.



3.5 Tipi di installazione

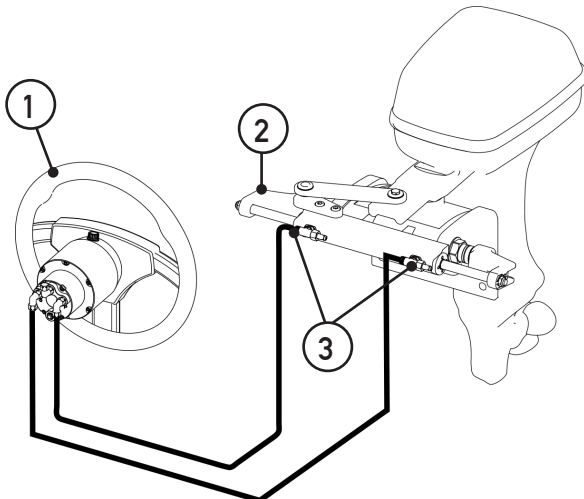


Il cilindro idraulico per motori fuoribordo modello UC95-OBF può essere installato in accoppiamento ad un sistema di guida a singola o doppia stazione. Le configurazioni possibili sono:

⚠ ATTENZIONE

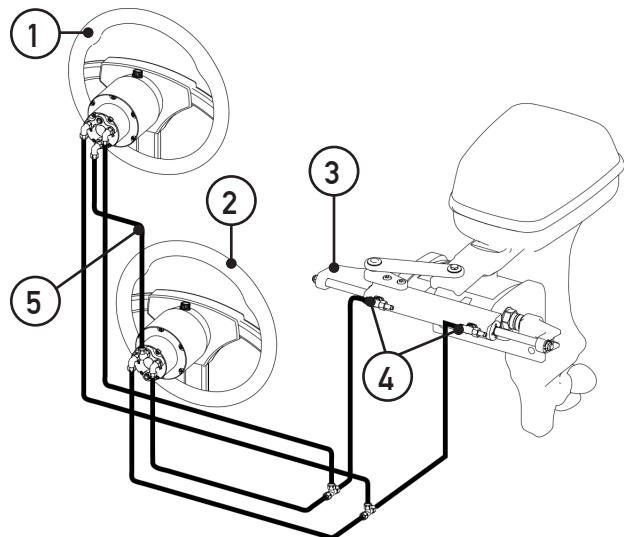
Eseguire sempre con attenzione l'esatto collegamento dei tubi come rappresentato dalle seguenti illustrazioni.

SINGOLA STAZIONE / CILINDRO SINGOLO:



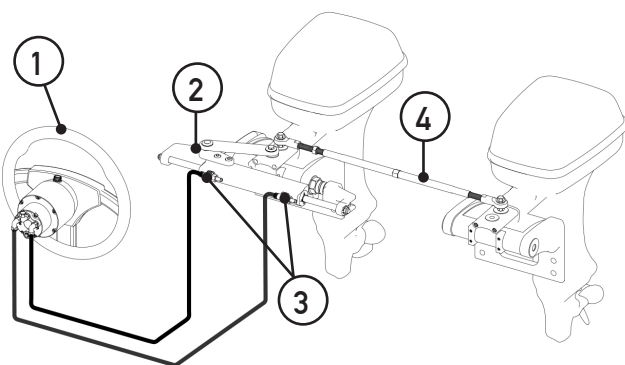
1. stazione di guida
2. cilindro
3. valvole di spurgo

DOPPIA STAZIONE / CILINDRO SINGOLO:



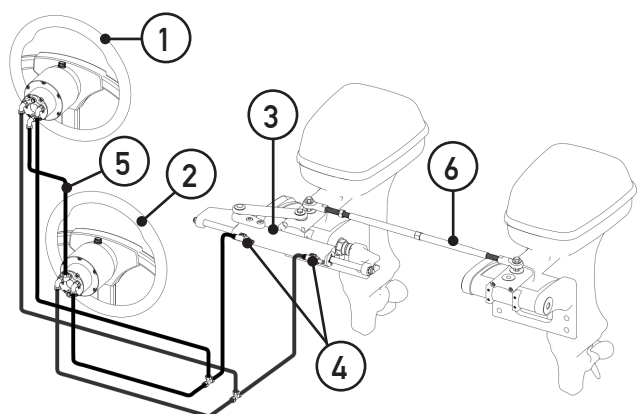
1. stazione di guida primaria (superiore)
2. stazione di guida supplementare (inferiore)
3. cilindro
4. valvole di spurgo
5. kit OB-2S

SINGOLA STAZIONE / CILINDRO SINGOLO / MOTORE DOPPIO:



1. stazione di guida
2. cilindro
3. valvole di spurgo
4. barra di accoppiamento tipo A92

DOPPIA STAZIONE / CILINDRO SINGOLO / MOTORE DOPPIO:



1. stazione di guida primaria (superiore)
2. stazione di guida supplementare (inferiore)
3. cilindro
4. valvole di spurgo
5. kit OB-2S
6. barra di accoppiamento tipo A92



3.6 Riempimento e spurgo



Dopo la prima installazione e a seguito di eventuali interventi di manutenzione occorre eseguire l'operazione di riempimento del sistema con olio idraulico. Questa operazione ha lo scopo di eliminare completamente l'aria dall'impianto garantendo il buon funzionamento del sistema. Il sistema idraulico deve essere riempito dal punto più alto del sistema stesso, ossia a livello della stazione di comando superiore.

⚠ ATTENZIONE

Per evitare che si formino bolle d'aria nell'olio, è necessario riempire lentamente il serbatoio.

⚠ AVVERTENZA

Le operazioni di riempimento e spurgo devono essere effettuate almeno da due operatori.

⚠ PERICOLO

Usare olio **ULTRAFLEX** o olii compatibili.

L'olio idraulico OL150 è specificatamente formulato per **ULTRAFLEX** allo scopo di mantenere più a lungo nel tempo l'alto livello qualitativo e di performance dei prodotti **ULTRAFLEX**.

La sua particolare formula "Zinco Free" favorisce la protezione dall'ossidazione marina.

La particolare miscela di componenti antiusura e stabilizzanti, di cui OL150 è composto, consentono di ottenere un ottimo risultato in termini di vita del prodotto e costanza di prestazione nelle diverse condizioni ambientali.

L'olio idraulico **ULTRAFLEX** risponde alla normativa ISO 10592 relativa ai sistemi di guida idraulici.

ULTRAFLEX non è responsabile di eventuali danni o cali prestazionali dovuti all'utilizzo di oli idraulici diversi da OL150.

⚠ PERICOLO

NON utilizzate in nessun caso oli da trasmissione tipo ATF Dexron II o oli per freni che potrebbero provocare il bloccaggio del sistema di guida.

Oli compatibili con OL150 **ULTRAFLEX** sono:

- Shell Tellus T15 e Shell Tellus T22
- Mobil DTE 11M

NOTA

ULTRAFLEX non potrà garantire la compatibilità degli oli citati con OL150 in caso di variazione alle formulazioni da parte dei produttori degli oli stessi, in particolare non potrà garantirne la rispondenza alla ISO 10592 relativa ai sistemi di guida idraulici. Eventuali cali prestazionali e/o di durata non saranno in nessun caso imputabili ad **ULTRAFLEX**.

Nei giorni immediatamente successivi al riempimento, è necessario tenere sotto controllo il livello dell'olio; se necessario, rabboccare il sistema. Inizialmente il livello dell'olio può calare, in quanto possono liberarsi piccole quantità di aria omogeneamente distribuite.

⚠ PERICOLO

Dopo 24 ore ripetere la procedura di spurgo e verificare che non ci siano perdite.

3.6.1 Posizionamento della bottiglia dell'olio

Il riempimento dell'olio deve essere effettuato con l'apposito kit (composto da beccuccio, tubo flessibile, raccordo di riempimento e spillo) NON compreso nella fornitura.

- Rimuovere il tappo dalla pompa e inserire il raccordo di riempimento.
- Fissare il beccuccio ad una bottiglia nuova di olio idraulico, collegando il tubo flessibile trasparente al raccordo di riempimento e al beccuccio della bottiglia.
- Capovolgere la bottiglia e forarla con lo spillo, come indicato in figura, in modo da facilitare il passaggio dell'olio verso la pompa. Riempire la pompa fino a quando non siano più visibili bolle d'aria nel tubo flessibile.

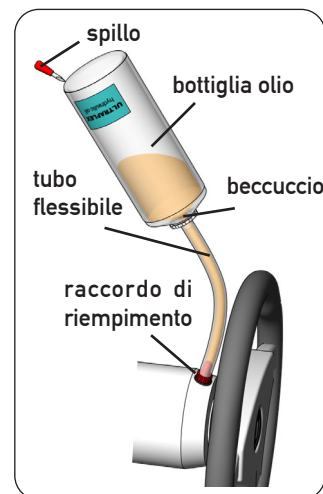


⚠ AVVERTENZA

Al momento della sostituzione delle bottiglie d'olio durante il processo di riempimento, chiudere tutte le valvole di spurgo sui raccordi a "T" del cilindro/i. Per spurgare l'impianto, verificare che nel tubo flessibile di riempimento sia sempre presente l'olio. Se durante il processo di spurgo dovesse penetrare aria all'interno del sistema, l'intero processo dovrà essere ripetuto dall'inizio.

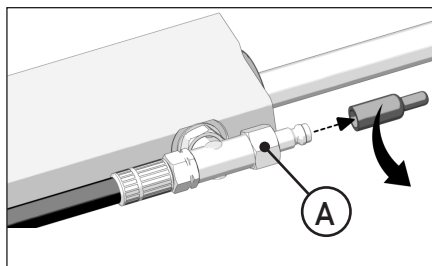
⚠ ATTENZIONE

Sostituire la bottiglia prima che si svuoti e non riutilizzare l'olio fuoriuscito dal sistema se non dopo almeno 24 ore.



3.6.2 Stazione di guida singola / cilindro singolo

- Rimuovere le protezioni delle due valvole di spurgo e allentare di max. 1,5 giri i dadi "A" delle due valvole di spurgo.

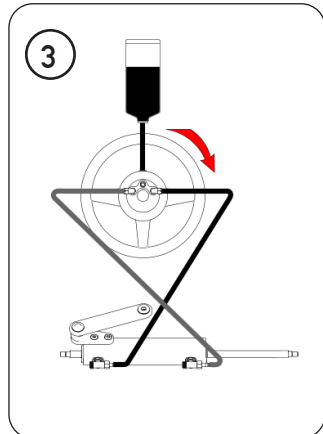
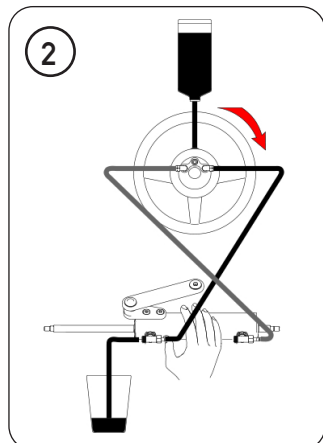
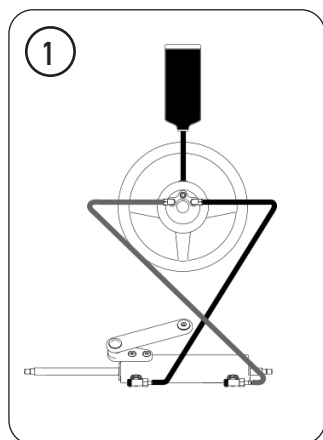


- Portare manualmente il corpo del cilindro in battuta da un lato come indicato in figura 1.
- Posizionare la bottiglia dell'olio come indicato al paragrafo 3.6.1.
- Chiudere la valvola di spurgo dal lato a fine corsa del cilindro e posizionare una bacinella di recupero olio in prossimità dell'altra valvola di spurgo (come indicato in figura 2).
- Ruotare il volante lentamente (come indicato in figura 2) in modo tale da far defluire l'olio attraverso le tubazioni.

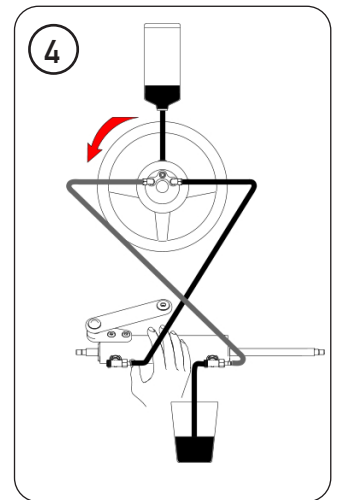
NOTA

Tenere il corpo del cilindro con la mano in modo tale da evitare spostamenti causati dall'aria presente all'interno della camera (figura 2).

- Quando dalla valvola di spurgo comincia a defluire olio (completamente privo di bolle d'aria), chiudere la valvola di spurgo e continuare quindi a ruotare il volante nella stessa direzione al fine di riempire la camera del cilindro (figura 3). Durante questa fase il corpo del cilindro si sposterà verso la direzione opposta fino a fine corsa.



- Aprire l'altra valvola di spurgo e posizionare il contenitore di recupero dell'olio dall'altra parte. Trattenendo il corpo del cilindro in questa posizione, ruotare lentamente il volante come indicato in figura 4, fino a che dalla valvola di spurgo non defluisce olio completamente privo di bolle d'aria. Infine chiudere la valvola di spurgo.
- Ripetere nuovamente l'intera procedura al fine di garantire la completa assenza di aria all'interno del circuito.



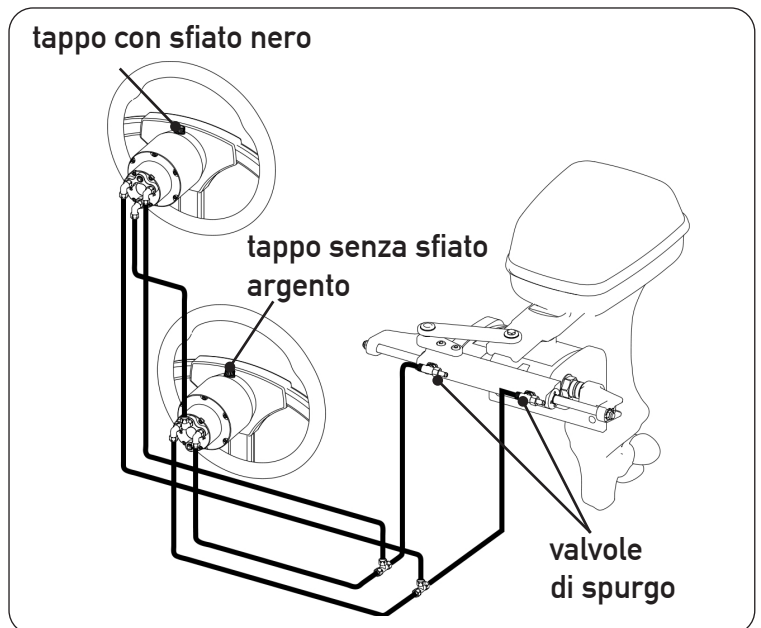
3.6.3 Stazione di guida doppia/ cilindro singolo

- Svitare manualmente le due valvole di spurgo del cilindro e portare i cilindri in battuta da un lato.
- Posizionare la bottiglia dell'olio in prossimità della stazione di guida primaria (superiore) secondo quanto indicato al paragrafo 3.6.1.

AVVERTENZA

Attendere che l'olio sia arrivato al serbatoio inferiore e che entrambi i serbatoi siano riempiti.

- Seguire la procedura di spurgo indicata al paragrafo 3.6.2 partendo dalla stazione di guida inferiore e ripeterla agendo sulla stazione di guida superiore.



AVVERTENZA

Per il serbatoio della stazione di guida supplementare (inferiore) utilizzare esclusivamente il tappo senza foro di sfiato di colore argento (fornito con il "kit OB-2S"). Per il serbatoio della stazione di guida primaria (superiore) utilizzare esclusivamente il tappo con il foro di sfiato di colore nero.

- Ripetere almeno 3 volte l'intera procedura al fine di garantire la completa assenza di aria all'interno del circuito.



3.7 Raccomandazione generale

⚠ AVVERTENZA

È molto importante verificare che l'aria sia stata completamente spurgata dall'impianto prima di utilizzare la barca! Si consiglia di tentare di spostare manualmente il / i motore/i verso babordo e tribordo, prestando attenzione a qualsiasi movimento del corpo del cilindro sul suo stelo.

Se il corpo del cilindro si muove per oltre 1/6 di pollice (15mm), nell'impianto sarà ancora presente aria da spurgare. La presenza di aria nell'impianto può dar luogo a risposte non corrette ai comandi, con conseguente rischio di danni, lesione o morte.



4 AVVERTENZE DI SICUREZZA

Questa sezione ha lo scopo di illustrare le norme di sicurezza da seguire per un uso corretto dell'apparecchiatura. Si raccomanda di leggere con molta attenzione questa sezione. Si raccomanda di leggere i manuali forniti con gli altri componenti del sistema di guida.

4.1 Norme di sicurezza durante l'installazione e l'uso

RISPETTATE TASSATIVAMENTE le precauzioni ed i criteri di sicurezza indicati qui di seguito.

ULTRAFLEX declina ogni responsabilità nel caso in cui l'utilizzatore non li osservi, così come non è responsabile per qualsiasi tipo di negligenza che venga commessa durante l'utilizzo del sistema.

PERICOLO

- NON INSERIRE LE MANI TRA ORGANI IN MOVIMENTO.
- Non disattivare o rendere in qualsiasi modo non operativi i dispositivi di sicurezza.
- Non modificare o aggiungere dispositivi all'impianto, senza autorizzazione scritta o previo intervento tecnico di **ULTRAFLEX** che comprovi nella descrizione dell'intervento la modifica apportata.
- Non utilizzare l'apparecchiatura per uno scopo diverso da quello per cui è stata destinata, specificato nel manuale di installazione e manutenzione.
- Non far eseguire l'installazione a personale non specializzato.
- Non smontare le connessioni idrauliche senza prima aver effettuato lo scarico completo dell'olio nel sistema. Le tubazioni possono contenere olio ad alta pressione.

AVVERTENZA

- Non salire con i piedi sul cilindro.
- Dopo l'installazione e lo spurgo del sistema, procedere ad un controllo prima di iniziare la navigazione. Ruotare il volante fino a portare il cilindro o i cilindri installati a fondo corsa.
- Ripetere la manovra ruotando il volante nella direzione opposta. Ripetere l'operazione con tutte le timonerie presenti fino ad essere certi della corretta installazione e dell'ottimo funzionamento del sistema.
- Porre particolare cura nell'applicazione di materiale di tenuta liquido (tipo Loctite). In caso d'immissione nel sistema idraulico, questo causerebbe danni e rotture.
- Per sigillare i raccordi, non utilizzare in nessun caso nastro al teflon o qualunque tipo di nastro adesivo, che potrebbe essere aspirato dal sistema e danneggiare irreparabilmente lo stesso.
- In fase d'installazione del sistema, avere particolare cura nel mantenere la massima pulizia, per evitare che qualunque corpo estraneo possa penetrare nel sistema stesso. Anche il più piccolo oggetto potrebbe arrecare danni permanenti non immediatamente rilevabili.
- Evitare raggi di curvatura dei tubi troppo stretti.
- Evitare il contatto delle tubazioni con bordi o spigoli taglienti.
- Evitare il contatto dei tubi con fonti di calore.

4.2 Abbigliamento

AVVERTENZA

Durante le fasi di installazione, ispezione o manutenzione.

E' SEVERAMENTE PROIBITO indossare collane, braccialetti o indumenti che potrebbero impigliarsi in parti in movimento.



5 MANUTENZIONE

5.1 Manutenzione ordinaria

⚠ AVVERTENZA

La mancata osservanza dei controlli di manutenzione può causare la perdita di guida con possibili danni materiali e/o lesioni personali. I requisiti per la manutenzione variano secondo il clima, la frequenza ed il modo d'impiego. Sono necessarie ispezioni almeno annuali effettuate da un esperto meccanico nautico. Controllare i raccordi e lo stato delle guarnizioni del cilindro e della timoneria, per prevenire eventuali perdite; sostituirle se necessario. Per mantenere un idoneo livello dell'olio nel serbatoio procedere al riempimento ed allo spurgo del sistema come indicato nel manuale al paragrafo 3.6. Controllare l'usura dei tubi e dell'intero sistema, il fissaggio dei dadi e dei bulloni ogni sei mesi ed assicurarsi della loro perfetta integrità. Detergere il sistema utilizzando acqua e sapone non aggressivo e non abrasivo.

⚠ AVVERTENZA

Utilizzare esclusivamente olii idraulici compatibili, indicati nel paragrafo "caratteristiche tecniche" e "riempimento e spurgo". Non utilizzare in nessun caso olii per freni o fluido per trasmissioni automatiche (ATF).

⚠ AVVERTENZA

Verificare dopo le prime 10 ore di uso ed in seguito periodicamente l'integrità ed il serraggio delle connessioni.

⚠ ATTENZIONE

Nel caso di smontaggio dei dadi autobloccanti, questi ultimi dovranno essere sostituiti. (Contattare il nostro servizio assistenza, vedi pag.32)

5.2 Sostituzione testate

Se col passare del tempo, a causa di normale usura o scarsa manutenzione, si riscontrassero perdite d'olio dalle guarnizioni delle testate, occorrerà procedere alla loro sostituzione.

⚠ AVVERTENZA

La mancata sostituzione delle testate usurate comporta il malfunzionamento del cilindro generando pericolo per l'utilizzatore.

ULTRAFLEX fornisce un apposito kit contenente i componenti necessari per la sostituzione.

NOTA

Con il kit vengono fornite le istruzioni relative alla corretta procedura di sostituzione.



5.3 Ricerca guasti

⚠ AVVERTENZA

Ogni qualvolta i seguenti controlli richiedano la rimozione e/o smontaggio dei componenti del sistema di guida, richiedere l'intervento di personale qualificato. **ULTRAFLEX** offre le indicazioni generali e non può essere ritenuta responsabile per eventuali informazioni e conseguenze derivanti da un errato smontaggio.

PROBLEMA	POSSIBILE CAUSA	INTERVENTO
Nella fase di riempimento, la timoneria risulta bloccata.	<ul style="list-style-type: none"> Bloccaggio nelle tubazioni tra la timoneria e il cilindro. 	<ul style="list-style-type: none"> Sostituire le tubazioni. <p>⚠ AVVERTENZA Il tubo danneggiato deve essere sostituito. La mancata sostituzione può causare la perdita di guida provocando lesioni personali gravi o danni patrimoniali.</p>
Il sistema è difficile da riempire. L'aria gorgoglia nella parte alta del serbatoio della timoneria anche dopo aver riempito totalmente il sistema.	<ul style="list-style-type: none"> Aria nel sistema. 	<ul style="list-style-type: none"> Ripetere la procedura di riempimento e spurgo del sistema. Installare i tubi in orizzontale e in ogni caso con inclinazione massima di circa 3cm per metro.
	<ul style="list-style-type: none"> Trafilamento del raccordo di spurgo del cilindro. 	<ul style="list-style-type: none"> Chiudere bene il raccordo di spurgo sul cilindro.
	<ul style="list-style-type: none"> Tubo attorcigliato. 	<ul style="list-style-type: none"> Svolgere e raddrizzare il tubo.
	<ul style="list-style-type: none"> Timoneria montata col foro di riempimento in posizione bassa. 	<ul style="list-style-type: none"> Montare la timoneria col foro di riempimento in posizione alta.
La timoneria è rigida e difficilmente manovrabile, anche quando l'imbarcazione è ferma.	<ul style="list-style-type: none"> Restringimento nelle tubazioni o nei raccordi. 	<ul style="list-style-type: none"> Cercare il restringimento e rimuoverlo.
	<ul style="list-style-type: none"> Aria nell'olio. 	<ul style="list-style-type: none"> Ripetere la procedura di riempimento e spurgo del sistema.
La timoneria è rigida e difficilmente manovrabile, anche quando l'imbarcazione è ferma.	<ul style="list-style-type: none"> Utilizzo olio errato. 	<ul style="list-style-type: none"> Scaricare subito il sistema di riempimento e spurgo del sistema. <p>⚠ AVVERTENZA Eventuali danni causati dall'uso di fluidi diversi da quelli raccomandati in questo manuale, non sono in alcun modo imputabili a ULTRAFLEX e annullano automaticamente la garanzia.</p>
La timoneria è rigida e difficilmente manovrabile, anche quando l'imbarcazione è ferma, se si utilizzano cilindri sbilanciati.	<ul style="list-style-type: none"> Introduzione nella valvola, di sporcizia o trucioli. 	<p>⚠ AVVERTENZA Non utilizzare l'imbarcazione e richiedere l'intervento di un tecnico specializzato per la pulizia della valvola.</p>

<p>La timoneria si manovra agevolmente in banchina, ma diventa rigida quando l'imbarcazione è in movimento.</p>	<ul style="list-style-type: none"> • Il volante di guida è troppo piccolo. 	<ul style="list-style-type: none"> • Sostituire il volante di guida con uno più grande. <p>⚠ AVVERTENZA Solo entro le dimensioni massime consentite dalla timoneria.</p>
	<ul style="list-style-type: none"> • La regolazione del correttore di assetto è sbagliata. 	<ul style="list-style-type: none"> • Regolare il correttore di assetto.
	<ul style="list-style-type: none"> • Aria nell'olio. 	<ul style="list-style-type: none"> • Controllare il livello dell'olio e ripetere la procedura di spurgo come indicato nel manuale.
<p>Ruotando il volante, lo stelo (cilindri a stelo mobile) o il corpo (cilindri a stelo fisso) del cilindro non si muovono.</p>	<ul style="list-style-type: none"> • Aria nel sistema. 	<ul style="list-style-type: none"> • Ripetere la procedura di riempimento e spurgo del sistema.
	<ul style="list-style-type: none"> • Perdita d'olio. 	<ul style="list-style-type: none"> • Cercare la perdita e rivolgersi a personale qualificato.
<p>Perdite d'olio dai raccordi della timoneria.</p>	<ul style="list-style-type: none"> • Timoneria montata col foro di riempimento in posizione bassa. 	<ul style="list-style-type: none"> • Montare la timoneria col foro di riempimento in posizione alta.
	<ul style="list-style-type: none"> • Raccordi avvitati male o con coppia di serraggio insufficiente. 	<ul style="list-style-type: none"> • Serrare i raccordi. Applicare una coppia massima di 20Nm (15 in.lbs).
<p>Perdite d'olio dal tappo del serbatoio.</p>	<ul style="list-style-type: none"> • Mancanza di fluido sigilla raccordi. <p>⚠ AVVERTENZA Per sigillare i raccordi non utilizzare in nessun caso nastro teflon o nastro adesivo.</p>	<ul style="list-style-type: none"> • Svuotare la timoneria e smontarla. Togliere i raccordi e pulire le filettature dall'olio. Posizionare il fluido sigilla raccordi, avvitare i raccordi, installare la timoneria. <p>⚠ AVVERTENZA Dopo questa operazione, è necessario procedere ad una nuova operazione di spurgo completa.</p>
	<ul style="list-style-type: none"> • Tappo avvitato male. 	<ul style="list-style-type: none"> • Avvitare il tappo.
<p>Perdite d'olio dal tappo del serbatoio.</p>	<ul style="list-style-type: none"> • Tappo con sfiato (nero) posto sulla timoniera supplementare posizionata più in basso. 	<ul style="list-style-type: none"> • Sostituire il tappo sfiato (nero) col tappo per kit timoneria supplementare (argento).
	<ul style="list-style-type: none"> • Guarnizione di tenuta usurata o danneggiata. 	<ul style="list-style-type: none"> • Sostituire il tappo.
	<ul style="list-style-type: none"> • Livello dell'olio troppo abbondante. 	<ul style="list-style-type: none"> • Applicare la procedura di mantenimento livello olio descritta nel manuale della pompa.



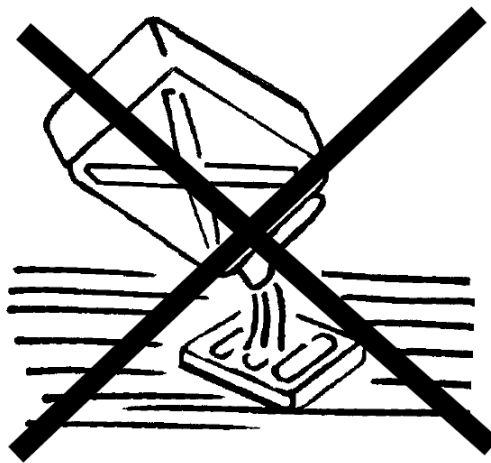
6 SMANTELLAMENTO

6.1 Smantellamento

Qualora si intenda, per qualsiasi motivo, mettere fuori servizio il sistema di guida, è necessario osservare alcune regole fondamentali atte a salvaguardare l'ambiente.

Guaine, condotti flessibili, componenti di materiale plastico o comunque non metallico, dovranno essere smontati e smaltiti separatamente.

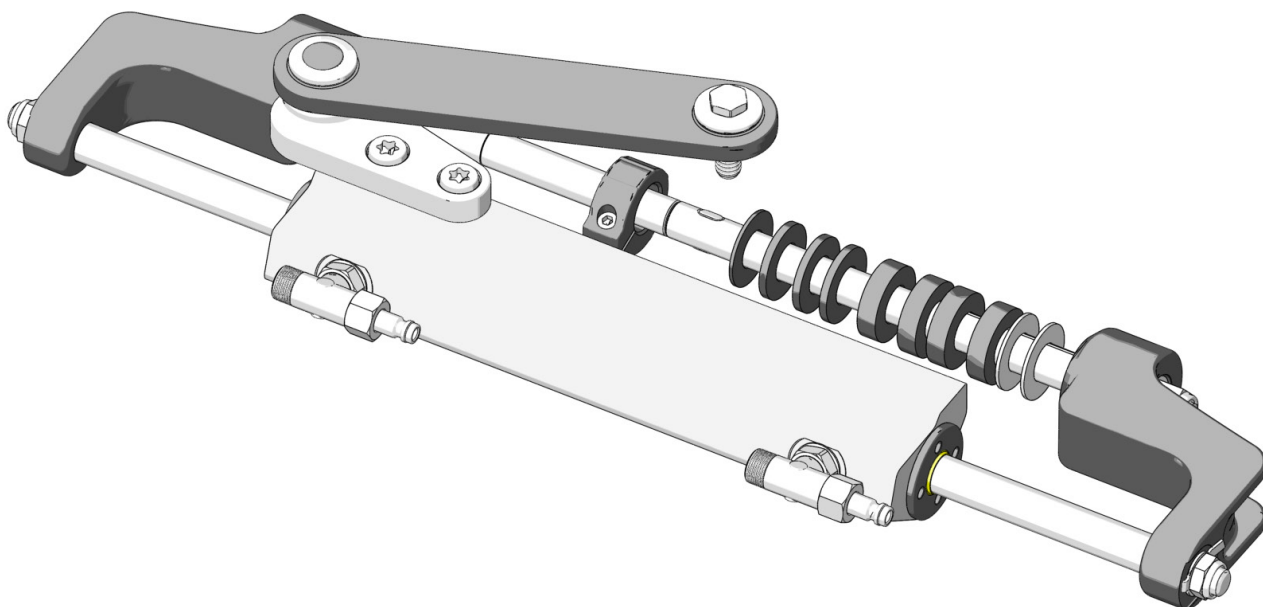
Il sistema di guida **CONTIENE OLII INQUINANTI**
che devono essere smaltiti secondo le normative
in vigore.



Manuel d'installation et d'entretien

VERIN HYDRAULIQUE POUR
MOTEURS HORS-BORD

UC 95-0BF



CE



ULTRAFLEX





Cher Client,

Nous vous remercions pour avoir choisi un produit **ULTRAFLEX**.

La Société **ULTRAFLEX** est depuis plusieurs années un point de repère dans les systèmes de gouvernement dans le domaine de la navigation de plaisance et professionnelle.
La production **ULTRAFLEX** est depuis toujours une garantie de grande fiabilité et sécurité.

Tous les produits **ULTRAFLEX** sont conçus et fabriqués pour assurer toujours les performances les meilleures.

Pour assurer votre sécurité et pour maintenir toujours un niveau de qualité élevé **ULTRAFLEX** ne garantit ses produits que si les pièces de rechange originales sont utilisées (voir annexe "Application Spare Parts").

Les Systèmes de Gestion de la Qualité **ULTRAFLEX** et **UFLEX** sont certifiés par le Det Norske Veritas - Germanischer Lloyd (DNV-GL), en conformité avec la Norme UNI EN ISO 9001:2015.

Le système Qualité implique toutes les ressources et les processus d'entreprise à partir de la conception du projet au but de:

- assurer au client la qualité du produit;
- maintenir et améliorer continuellement les standard de qualité;
- poursuivre une amélioration continue de l'efficacité des processus afin de répondre toujours aux exigences du marché et d'augmenter la satisfaction des Clients;

Le système de Gestion Environnementale de la Qualité **ULTRAFLEX** est certifié par le Det Norske Veritas - Germanischer Lloyd (DNV-GL), en conformité avec la Norme UNI EN ISO 14001:2015.

Vérifier la conformité des produits aux prescriptions de la directive 2013/53/EU.



"**ULTRAFLEX** avec plus de 85 années d'expérience dans le domaine nautique, est aujourd'hui une industrie de pointe sur échelle mondiale dans la production de systèmes de gouvernement mécaniques, hydrauliques, électroniques, boîtes de commande et volants pour bateaux moteur pour la plaisance, la pêche ou le travail de toutes les dimensions et types de motorisations.

La fiabilité de nos produits et le service pré-vente et après-vente, la qualité de l'organisation de l'entreprise et des ressources humaines aussi bien que les investissements continus dans la recherche et le développement sont des facteurs fondamentaux pour expliquer le succès croissant de nos produits dans le monde entier".

ULTRAFLEX Sp.A.

16015 Casella (Genova) Italia - Via Crose, 2

INDEX GENERAL



INDEX DES REVISIONS DU DOCUMENT	56
EMPLOI DU MANUEL ET SYMBOLES UTILISES	57
LETTRE D'INFORMATION	57
GARANTIE	58

SECTION 1 - DESCRIPTION DU PRODUIT



1.1 FONCTIONNEMENT D'UN SYSTEME DE GOUVERNEMENT HYDRAULIQUE	59
1.2 AVERTISSEMENTS POUR L'EMPLOI CORRECT DU PRODUIT	59
1.3 CONFIGURATIONS	60
1.4 DESCRIPTION DU VERIN UC95-0BF	61
1.5 CARACTERISTIQUES TECHNIQUES	61

SECTION 2 - TRANSPORT



2.1 AVERTISSEMENTS GENERAUX	62
2.2 CONTENU EMBALLAGE	62

SECTION 3 - INSTALLATION



3.1 PRESCRIPTIONS MINIMALES ARCASSE	63
3.2 OUTILS NECESSAIRES	63
3.3 INSTALLATION DU VERIN STANDARD (STARBOARD)	64
3.4 INSTALLATION TUYAUX	67
3.5 TYPES D'INSTALLATION	68
3.6 REMPLISSAGE ET PURGE	69
3.7 RECOMMANDATION GENERALE	72

SECTION 4 - AVERTISSEMENTS DE SECURITE



4.1 NORMES DE SECURITE PENDANT L'INSTALLATION ET L'EMPLOI	73
4.2 HABILLEMENT	73

SECTION 5 - ENTRETIEN



5.1 ENTRETIEN ORDINAIRE	74
5.2 REMPLACEMENT TETES	74
5.2 RECHERCHE DES PANNES	75

SECTION 6 - DEMOLITION



6.1 DEMOLITION	77
----------------------	----

IMPORTANT:

Une documentation additionnelle appelée "Application Guide" et "Spare Parts List" est jointe à ce manuel.

INDEX DES REVISIONS DU DOCUMENT






Rév.	Date	Description de la révision
0	10/07/2020	Première réalisation

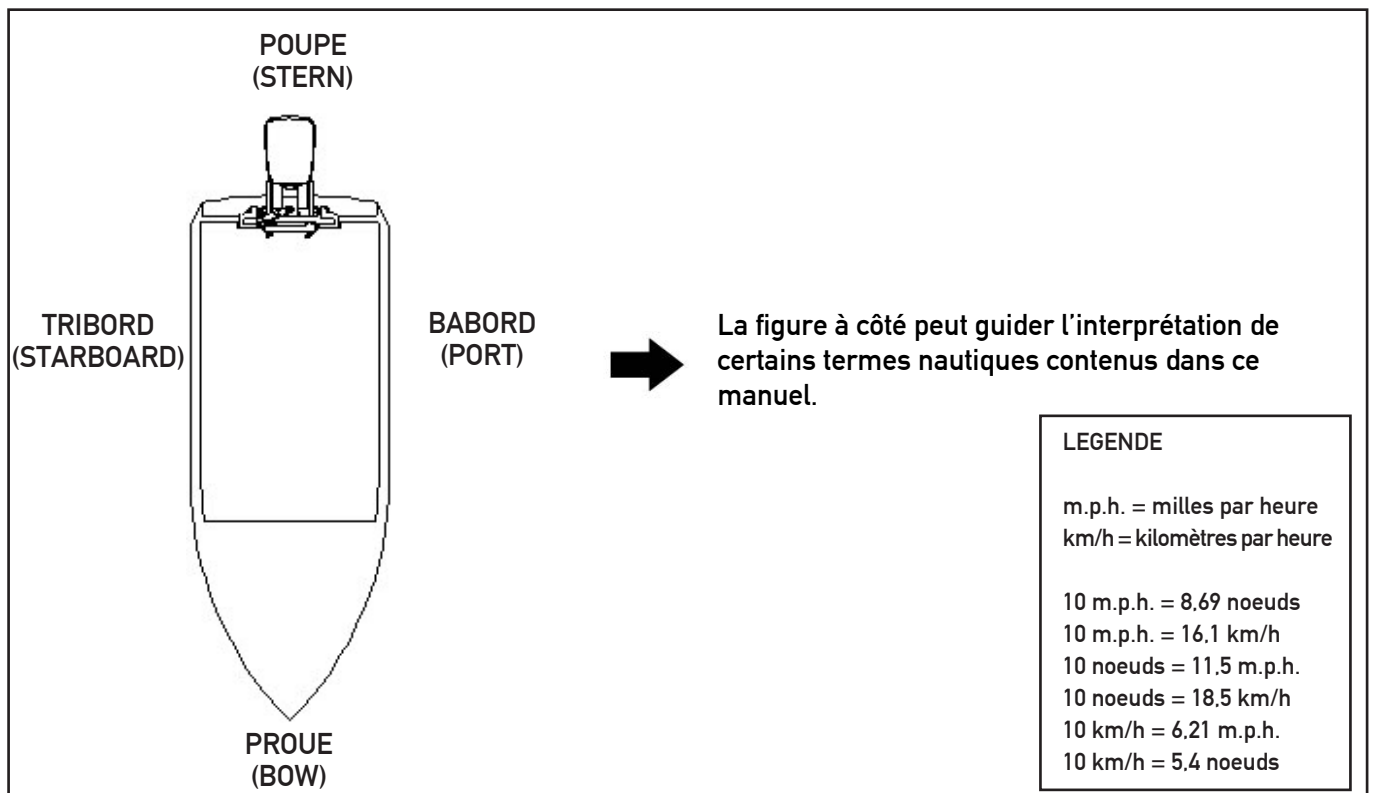
EMPLOI DU MANUEL ET SYMBOLES UTILISES

Le MANUEL D'INSTALLATION ET D'ENTRETIEN est le document qui accompagne le produit de sa vente jusqu'à son remplacement et sa démolition. C'est donc une partie fondamentale du manuel lui-même.

Il faut lire le manuel avant TOUTE ACTIVITE concernant le produit y compris sa manutention et son déchargement du moyen de transport.

Les symboles ci-dessous ont été adoptés dans le manuel afin d'assurer la sécurité de l'utilisateur et le fonctionnement correct du produit:

-  **DANGER** → Dommages immédiats qui CAUSENT des blessures graves à la personne ou qui en provoquent la mort.
-  **AVERTISSEMENT** → Il indique qu'il y a un danger qui peut provoquer des lésions ou la mort si on n'adoptent pas les précautions appropriées.
-  **ATTENTION** → Il indique un appel à l'application de pratiques de sécurité ou il appelle l'attention sur des pratiques non sûres qui pourraient causer des lésions personnelles ou des dommages au bateau ou aux composants ou à l'environnement.
-  **NOTE** → Information importante pour une installation adéquate et pour l'entretien, qui ne cause pas de dommages.
-  → Les opérations pour l'exécution desquelles on demande du personnel qualifié ou spécialisé, afin d'éviter toute sorte de risques, sont indiquées avec le symbole à côté. On recommande de former le personnel préposé à l'installation du produit et de vérifier si ce qui est prévu a été compris et mis en oeuvre.



LETTRE D'INFORMATION

Ce manuel d'installation et d'entretien est une partie intégrante du produit et il doit être facilement repérable par le personnel préposé à son emploi et à son entretien. L'utilisateur doit connaître le contenu de ce manuel.

La Société **ULTRAFLEX** décline toute responsabilité en cas d'inexactitudes dues à des fautes d'impression, contenues dans le manuel. Bien que les caractéristiques principales du type de produit décrit ne changent pas, la Société **ULTRAFLEX** se réserve le droit de modifier les descriptions, les détails et les illustrations qu'elle jugera nécessaires afin de l'améliorer, soit pour des exigences de caractère constructif ou commercial, dans n'importe quel moment et sans être obligé de mettre à jour le manuel tout de suite.

TOUS LES DROITS SONT RESERVES. Les droits de publication, les marques, les sigles et les photos des produits **ULTRAFLEX** contenus dans ce manuel appartiennent à la Société **ULTRAFLEX** qui en interdit toute sorte de reproduction même partielle. Tous les soins ont été pris pour rassembler et contrôler la documentation contenue dans ce manuel afin de le rendre le plus complet et le plus compréhensible possible. Rien de ce qui est contenu dans cette publication ne peut être interprété comme garantie ou condition explicite ou implicite - y compris, pas en voie limitative, la garantie d'aptitude pour un but particulier. Rien de ce qui est contenu dans cette publication ne peut être interprété comme modification ou assertion des termes de n'importe quel contrat d'achat.

AVERTISSEMENT

Le produit doit être installé par du personnel formé afin d'assurer son fonctionnement correct et celui de ses composants. En cas de rupture de parties ou de mauvais fonctionnement, s'adresser au personnel spécialisé ou contacter notre Service d'Assistance Technique.

SERVICE D'ASSISTANCE TECHNIQUE

UFLEX Sr.l.

Via Milite Ignoto,8A

16012 Busalla (GE)-Italia

Tel: +39.010.962.01

Email: service@ultraflexgroup.it

www.ultraflexgroup.it

Amérique du nord - du sud - centrale:

UFLEX USA

6442 Parkland Drive

Sarasota, FL 34243

Tel: +1.941.351.2628

Email: sales@uflexusa.com




www.uflexusa.com

GARANTIE

La Société **ULTRAFLEX** garantit que ses produits sont fabriqués à règles d'art et qu'ils n'ont aucun défaut de fabrication et de matériels. Cette garantie a une validité de deux années à partir de la date de fabrication des produits à l'exception des cas où ils sont installés et utilisés sur des bateaux de travail ou de commerce, car alors la garantie est limitée à une année de la date de fabrication. Dans le cas où, pendant cette période le produit s'avérerait défectueux à cause des matériaux utilisés ou/et présente des vices de fabrication, le fabricant le remplacera ou le réparera gratuitement. Tout autre dommage direct ou indirect est exclu de la garantie. En particulier la Société constructrice n'est pas responsable et cette garantie et ne couvre pas les dommages dérivant d'une installation incorrecte ou d'un emploi inadéquat ou abusif des produits (à l'exception du remplacement ou de la réparation des pièces

défectueuses dans les termes et les délais susmentionnés).

Cette garantie ne couvre pas les produits installés sur des bateaux de course ou utilisés pour des compétitions. Les descriptions et les illustrations contenues dans ce manuel sont seulement à titre indicatif. Pour toute information détaillée contacter notre Service d'Assistance.

Les composants des systèmes de conduite **ULTRAFLEX** sont pourvus de la marque  en conformité avec la directive 2013/53/EU. On rappelle que sur les bateaux pourvus de la marque  il est obligatoire d'installer des systèmes de conduite dont les composants sont marqués .

Nous vous informons que la garantie **ULTRAFLEX** échoit automatiquement au cas où certains composants **ULTRAFLEX** seraient installés dans un système de gouvernement avec des produits de marques différentes.

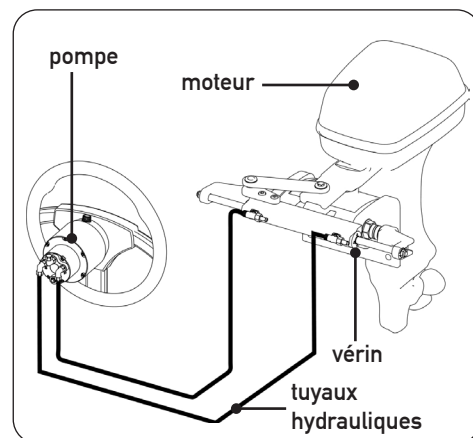


1 DESCRIPTION DU PRODUIT

1.1 Fonctionnement d'un système de gouvernement hydraulique

Les systèmes de gouvernement hydrauliques **ULTRAFLEX** sont conçus en conformité avec la norme UNI-EN-ISO 10592 et la norme A.B.Y.C. P21. Les systèmes de gouvernement **ULTRAFLEX** sont à même de fonctionner avec des températures ambiantes entre -18°C (0°F) et $+77^{\circ}\text{C}$ ($+170^{\circ}\text{F}$). Tous leurs composants ont été réalisés spécifiquement pour le milieu marin, à l'aide de matériels et de procédés de fabrication offrant une longue durée et un haut degré de sécurité même dans des conditions extrêmes.

Le système de gouvernement hydraulique dans un bateau est formé d'une pompe placée sur le tableau de bord, d'un vérin à poupe connecté au moteur ou au gouvernail et des tuyaux hydrauliques de connexion (voir figure). La rotation du volant provoque le pompage de l'huile qui, selon le sens de rotation, coule à travers les tuyaux jusqu'à atteindre le vérin. Le mouvement du vérin fait refluer l'huile vers la pompe à travers les tuyaux et en même temps déplace le moteur ou le gouvernail du bateau connectés au vérin lui-même. Les pompes sont équipées d'une soupape de non-retour, empêchant l'écoulement de l'huile à la pompe si elle n'est pas activée et permettant le fonctionnement des systèmes avec deux ou plusieurs postes de gouvernement. Les vérins sont à double effet et ils peuvent être équilibrés ou pas équilibrés. Dans les vérins pas équilibrés les deux chambres ont des volumes différents et donc elles demandent un nombre différent de tours du volant et un effort de rotation différent sur le volant pour le déplacement égal du vérin dans les deux sens. Les vérins équilibrés demandent le même nombre de tours du volant pour déplacer le gouvernail du centre au fin de course dans les deux sens opposés. Un système de gouvernement équilibré et facile à manoeuvrer demande un choix correct du type de pompe à accoupler au vérin. **ULTRAFLEX** produit plusieurs modèles de pompes, dont les différences sont le débit (cm^3 d'huile déplacés à chaque tour du volant) et le type d'installation. Quand on choisit la pompe il faut considérer le volume du vérin. En effet le nombre de tours du volant de gauche à droite est déterminé par le rapport entre le volume du vérin et le débit de la pompe.



Exemple: si la pompe a un débit de 20 cm^3 [$1,2 \text{ cu.in.}$] et le vérin a un volume de 94 cm^3 [$5,7 \text{ cu.in.}$], la formule suivante est appliquée: $94/20=4,2$. Le volant tournera donc environ 4 fois et demie avant que le vérin ne soit complètement déplacé d'un côté à l'autre. Tout accouplement avec moins de 4 tours demande un effort de conduite excessif; avec plus de 8 tours ils retardent la réponse du bateau à la pompe. La pression de service maximale est de $7,0 \text{ MPa}$ (70 bar) (1000 PSI).

1.2 Avertissements pour l'emploi correct du produit

⚠ AVERTISSEMENT

Avant de commencer l'installation, vérifier de nouveau la compatibilité d'assemblage du vérin UC95-OBF au moteur en consultant l'annexe "Application Guide" contenu dans l'emballage.

⚠ DANGER

En tout cas ne pas modifier le vérin de direction pour l'adapter à votre application sinon le vérin ne fonctionnera pas en sécurité et il sera dangereux pour le bateau et pour ses occupants.

⚠ AVERTISSEMENT

Les systèmes de conduite **ULTRAFLEX** ne doivent pas être appliqués sur des bateaux équipés de motorisations dépassant les puissances maximales établies par le constructeur du bateau.

⚠ AVERTISSEMENT

On ne conseille pas d'installer les systèmes de gouvernement hydrauliques **ULTRAFLEX** sur les bateaux de course.

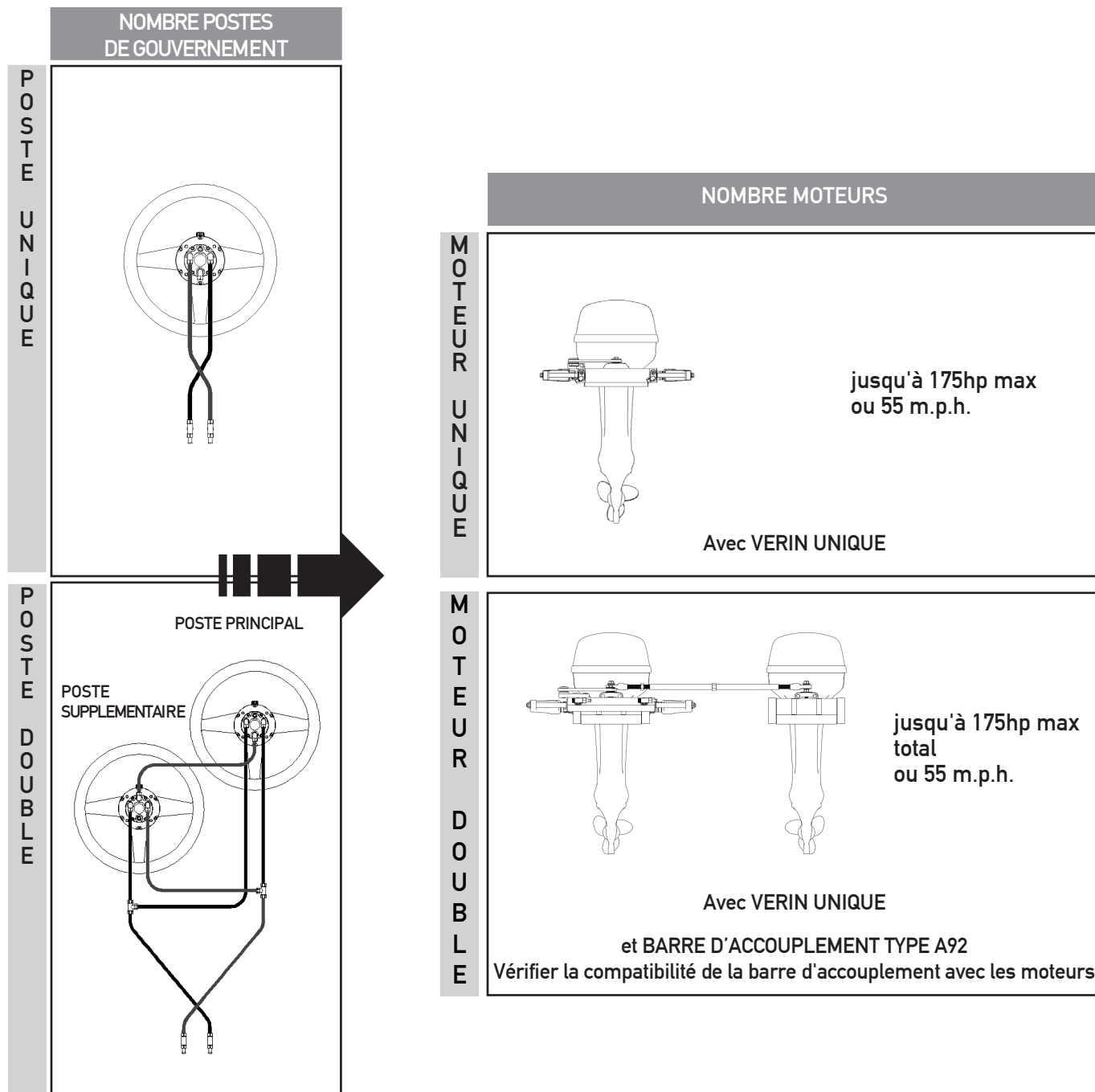
⚠ DANGER

Il est interdit de désassembler les composants qui sont fournis déjà préassemblés afin de ne pas compromettre l'intégrité du produit.



1.3 Configurations

Le vérin hydraulique pour moteurs hors-bord modèle UC95-OBF peut être installé sur des bateaux équipés d'un seul moteur ou de moteur double et pourvu de poste de gouvernement unique ou double. La puissance maximale du moteur unique ou la puissance totale (combinée) maximale des deux moteurs ne doit pas être supérieure à 175 hp.



ATTENTION

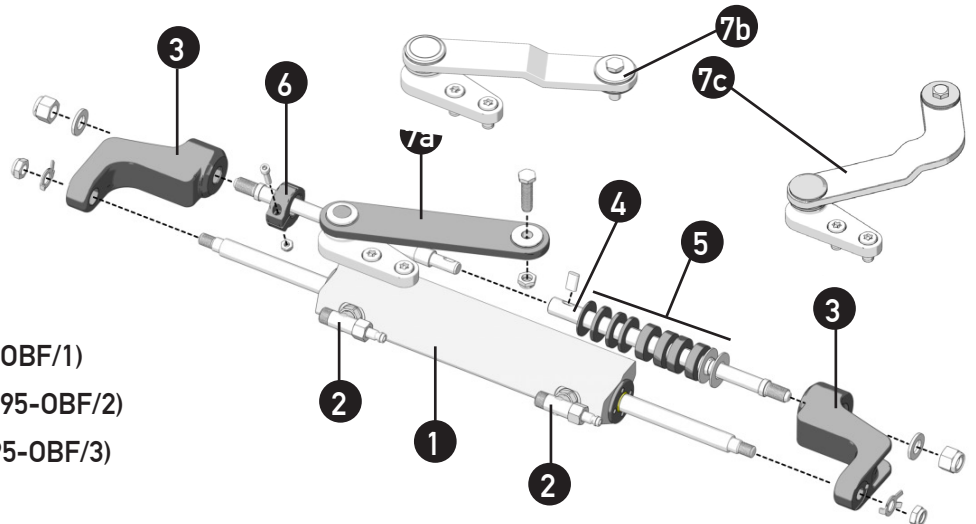
En cas d'applications même avec moteur unique dont la puissance dépasse les 175 hp ou 55 m.p.h., il est obligatoire d'assembler le vérin **Ultraflex** UC 128-OBF ou UC 128-SVS.



1.4 Description du vérin UC95-0BF

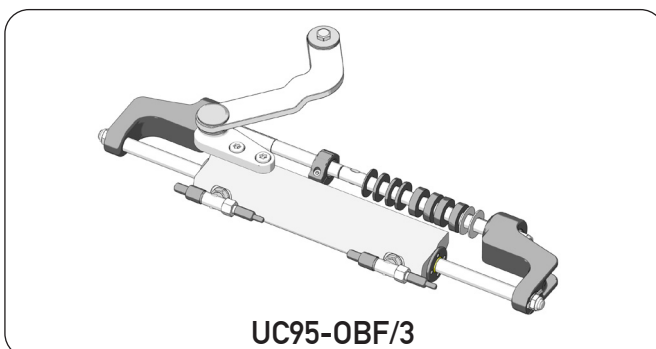
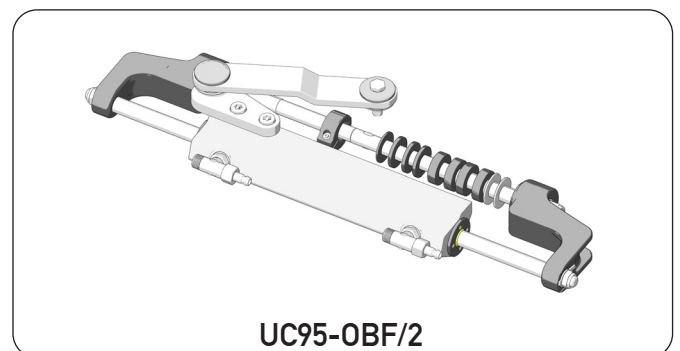
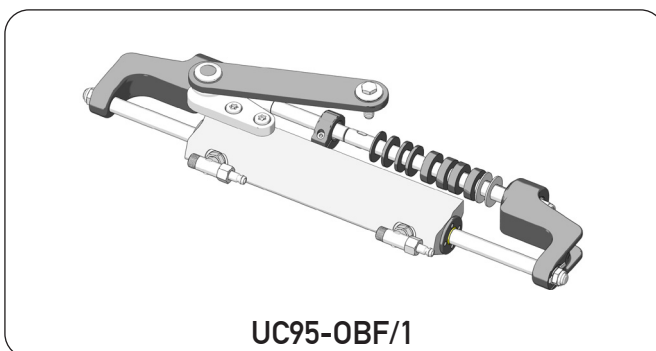
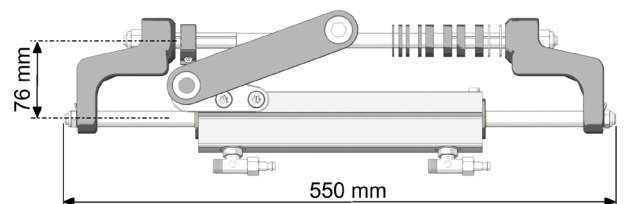
Le vérin UC95-0BF est un vérin hydraulique hors-bord à assemblage frontal conçu et fabriqué pour être utilisé comme composant d'un système de gouvernement hydraulique comme décrit au paragraphe précédent. Le vérin est appliqué au tube de guidage des moteurs disponibles sur le marché comme indiqué dans l'annexe "Application guide". En effet grâce à l'emploi de trois bras de renvoi et d'une série d'entretoises des dimensions adéquates, le vérin peut être adapté à n'importe quel type d'installation. Pour les applications avec moteur double, le vérin unique doit être assemblé avec une barre d'accouplement (voir par. 1.3). La figure ci-dessous montre les composants principaux du vérin:

- 1 Corps du vérin
- 2 Raccords de connexion et soupapes de purge
- 3 Etriers
- 4 Tige tube de guidage
- 5 Entretoises
- 6 Bague d'espacement
- 7a Bras de renvoi droit (UC95-0BF/1)
- 7b Bras de renvoi façonné (UC95-0BF/2)
- 7c Bras de renvoi courbe (UC95-0BF/3)



1.5 Caractéristiques techniques

SPECIFICATIONS	UC95-0BF/1 -/2 -/3
Volume	94 cc - 5.7 cu. in
Poussée max.*	354 Kg - 780 lbs (@70 bar)
Diamètre intérieur	30 mm - 1.18"
Course	186 mm - 7.3"
Huile	OL150 Ultraflex



⚠ ATTENTION

* La poussée du vérin indiquée est une poussée théorique calculée avec une pression de système de 70 bar (1000 psi). Cette poussée ne correspond pas à celle d'emploi normal du système mais elle représente la condition limite d'emploi.



2 TRANSPORT

2.1 Avertissements généraux

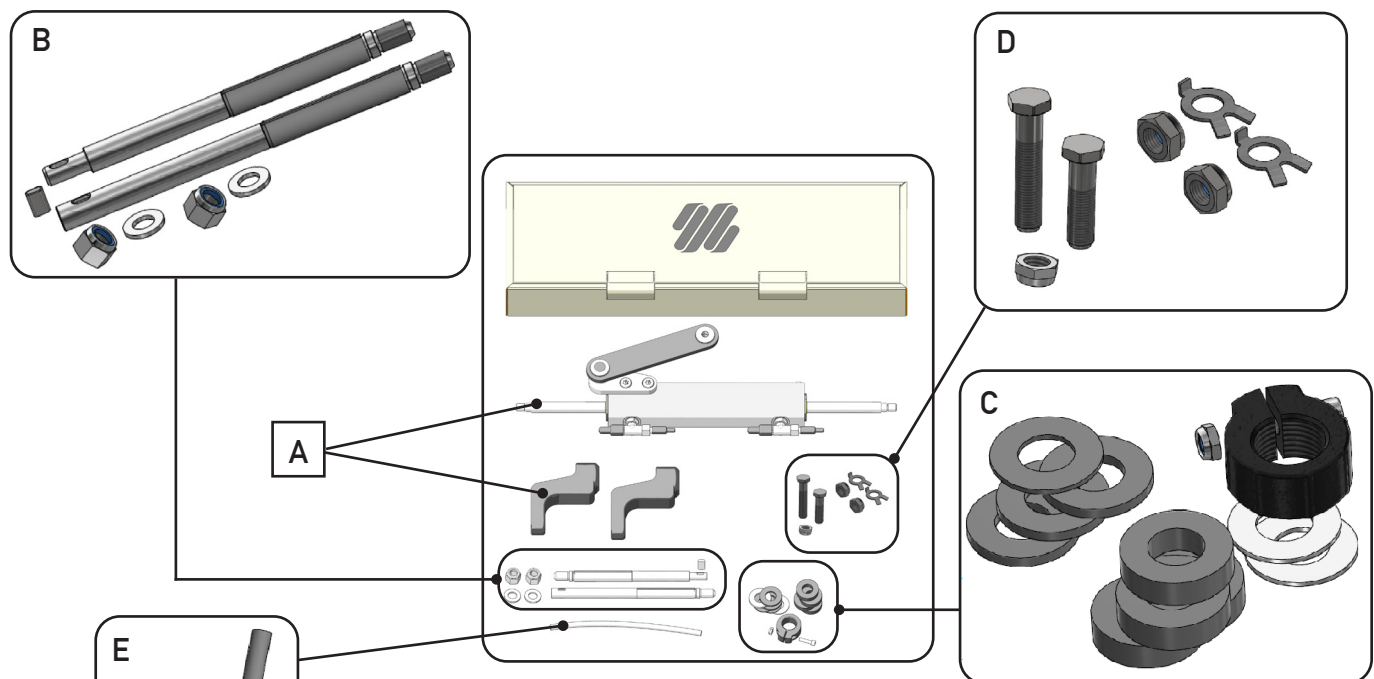
Le poids du produit avec son emballage est 8Kg (18 livres), il peut donc être manutentionné manuellement.

⚠ AVERTISSEMENT

Le personnel chargé de la manipulation de l'installation doit porter des gants de protection et des chaussures de sécurité.

2.2 Contenu emballage

Avant de commencer l'installation de l'appareillage s'assurer qu'il ne soit pas endommagé à cause du transport ou des conditions de conservation. Vérifier aussi que tous les composants faisant partie de l'équipement standard soient dans l'emballage (voir liste). En cas d'endommagement, notifier la réclamation au transporteur et informer votre fournisseur.



CONTENU DE L' EMBALLAGE STANDARD:

- A) n°1 corps du vérin équipé de tige, raccords et étriers;
- B) n°1 kit bras de renvoi formé de:
 - tige tube de guidage (2 pièces) + n°1 goupille de blocage
 - n°2 écrous autofreinés + n°2 rondelles;
- C) n° 1 kit entretoises formé de:
 - n°8 entretoises en plastique;
 - n°2 entretoises en acier;
 - n°1 bague de réglage fin pourvue de vis et d'écrou;
- D) n°1 kit formé de:
 - n°2 +1 écrous autofreinés;
 - n°2 rondelles de sûreté;
 - n°1 vis à tête hexagonale courte;
 - n°1 vis à tête hexagonale longue (code 73584U);
- E) n°1 tuyau en plastique pour purge circuit hydraulique;

⚠ ATTENTION

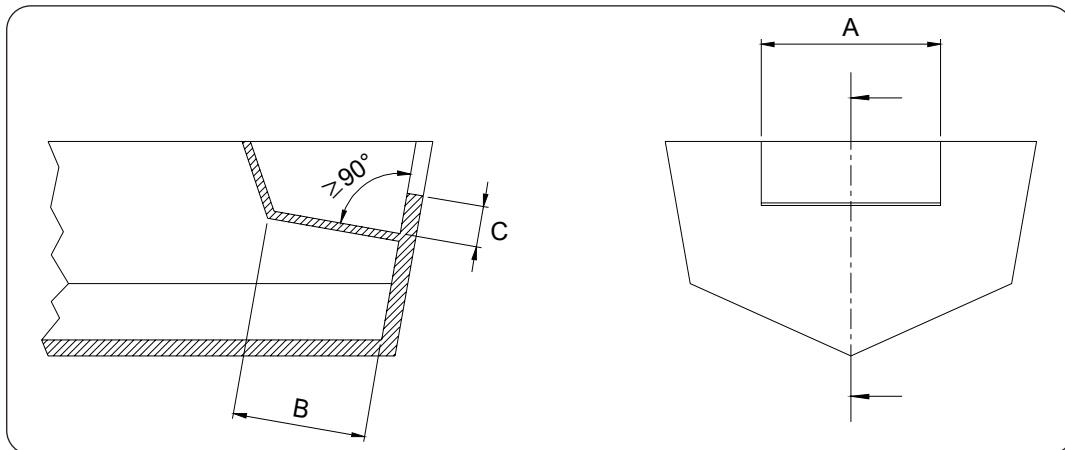
L'emballage doit être éliminé en conformité avec les directives en vigueur.



3 INSTALLATION

3.1 Prescriptions minimales arcase

Les dimensions minimum du cockpit sont indiquées ci-dessous. Elles sont nécessaires pour éviter d'endommager le vérin, quand le moteur hors-bord est complètement tourné vers le haut (Tilt). On indique aussi les dimensions du tableau arrière, pour permettre l'installation et le fonctionnement correct du vérin de guidage du moteur.



DIMENSIONS MINIMUM DEMANDEES PAR LE COCKPIT			
Nombre moteurs	A	B	C
1	560 mm - 21.25"	305 mm - 12"	152 mm - 5.98"
2	1110 mm - 43.70"	305 mm - 12"	152 mm - 5.98"

⚠ AVERTISSEMENT

APPLICATION DU MOTEUR AVEC SEMELLE DE VERIN DE LEVAGE (JACK PLATE) A L'ARCASE.
L'installation d'une semelle de vérin de levage changera tous les espaces libres d'application demandés. Un nouveau contrôle de l'espace libre doit être terminé avec la rotation du moteur simultanément au mouvement vertical de la semelle de vérin de levage dans toutes les positions possibles. Si le vérin de guidage entre en contact avec le cockpit, l'arcase, et/ou la semelle de vérin de levage, arrêter immédiatement l'installation! Suivre les instructions données par le constructeur de la semelle de vérin de levage pour limiter la direction supérieure ou inférieure dans laquelle l'interférence se produit. Si cela n'est pas possible, contacter le personnel spécialisé.

FRANÇAIS

3.2 Outils nécessaires



Clé mâle hexagonale (Allen)
5/32"



Clé hexagonale
3/4"



Clé hexagonale
14mm



Clé hexagonale
11/16"



Clé hexagonale
5/8"



Pince



Clé dynamométrique



MOLYKOTE® 1000

⚠ ATTENTION

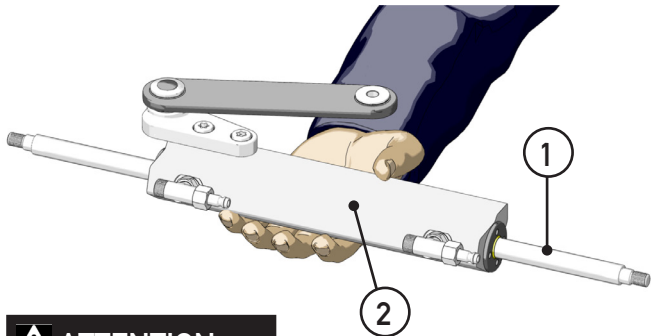
Pendant les phases d'installation utiliser exclusivement des outils en acier inox afin d'éviter l'oxydation des parties métalliques.



3.3 Installation du vérin



1 Après avoir enlevé les bouchons de protection des raccords, centrer manuellement la tige (1) par rapport au corps du vérin (2).

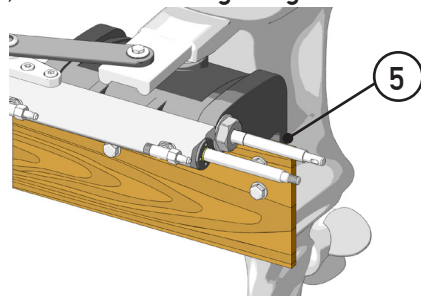


⚠ ATTENTION

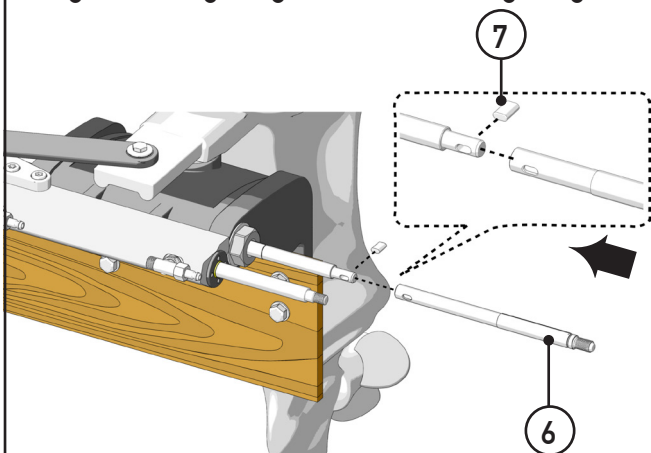
Pendant cette phase une quantité d'huile peut sortir des raccords: cette huile ne doit absolument pas être déchargée dans la mer.

4 Graisser abondamment les deux parties de la tige tube de guidage (5) et (6), avec de la graisse marine afin d'éviter l'oxydation des parties métalliques.

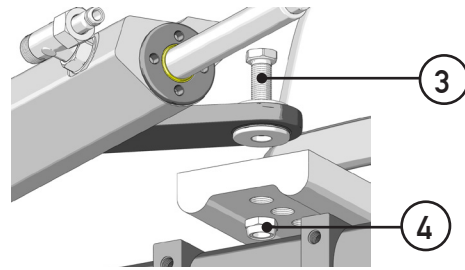
5 Insérer la première partie de la tige du tube de guidage (5) dans le tube de guidage.



6 Insérer la deuxième partie de la tige (6) et la bloquer à l'aide de la goupille (7); ensuite tenir la goupille d'une main jusqu'à insérer complètement la tige tube de guidage dans le tube de guidage.



2 Positionner le moteur droit de sorte que son bras soit perpendiculaire à l'arcasse.



3 En se référant aux modes d'application du bras indiqués dans l'Application Guide, positionner la vis (3) contenue dans le sachet D (voir paragraphe 2.2) et connecter le bras de renvoi au bras moteur. Serrer la vis avec couple de serrage de 40[Nm] (29.5 [lb-ft]). Visser l'écrou autofreiné (4) et le serrer avec couple de serrage de 25 [Nm] (18.5 [lb-ft]). Après avoir serré l'écrou (4), vérifier le couple de serrage correct 40 [Nm] (29.5 [lb-ft]) de la vis (3).

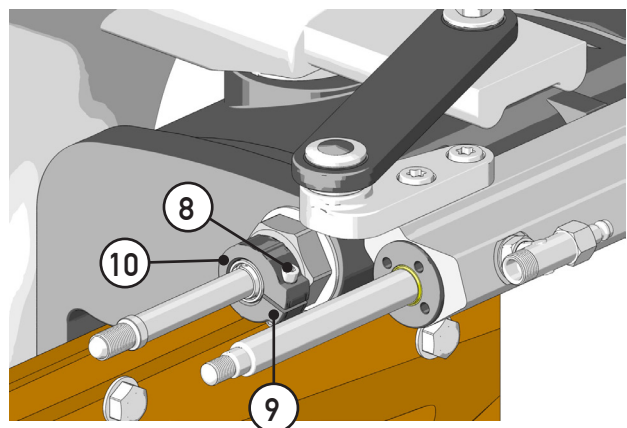
⚠ AVERTISSEMENT

Pour le serrage de la vis (3) et de l'écrou autofreiné (4) sur le bras moteur demander à son motoriste quelle est le couple maximum admis. S'il était inférieur à celui indiqué dans ce manuel, serrer avec le couple indiqué par le motoriste.

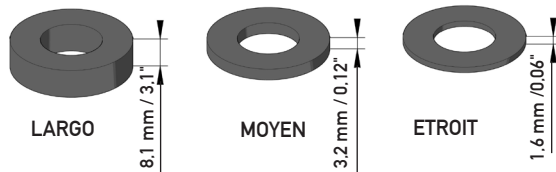
⚠ AVERTISSEMENT

Il est important de vérifier périodiquement, au moins tous les 3 mois (ou chaque mois pour des utilisations professionnelles), le serrage correct de cette vis (3) et de l'écrou autofreiné (4).

7 Positionner la vis (8) et son écrou (9) sur la bague d'espacement (10) et visser cette dernière sur le côté droit du tube de guidage jusqu'à atteindre le fin de course.



8 En se référant à l' "Application Guide" identifier les entretoises à positionner sur la tige du tube de guidage.



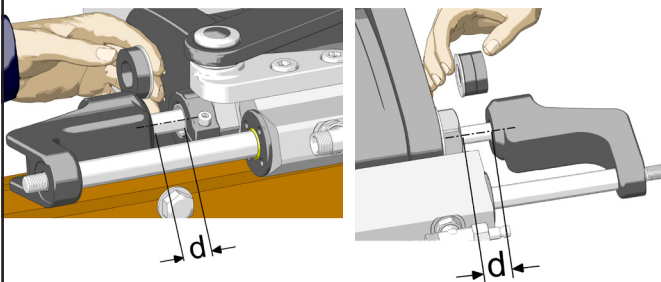
⚠ AVERTISSEMENT

Le choix du nombre d'entretoises indiquées dans l'Application Guide et leur positionnement doit être considéré à titre indicatif.

NOTE

Dans cette phase il faut s'assurer que le corps du vérin soit parfaitement centré par rapport à la tige et que le moteur soit parfaitement perpendiculaire par rapport à l'arcasse.

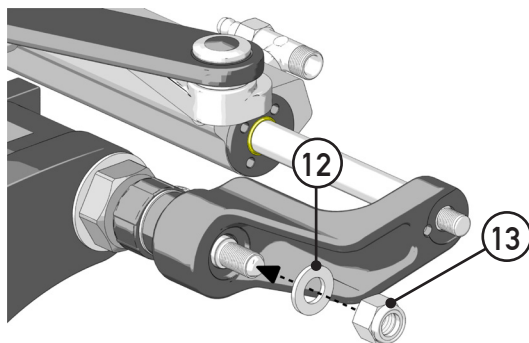
10 Choisir les entretoises à utiliser pour compenser l'espace entre la bague et l'étrier d_1 et d_2 entre tube de guidage et étrier et considérer l'épaisseur de la rondelle en inox.



⚠ AVERTISSEMENT

Prévoir toujours un jeu minimum entre les entretoises et l'étrier de sorte à permettre la rotation de la tige à l'intérieur du tube de guidage.

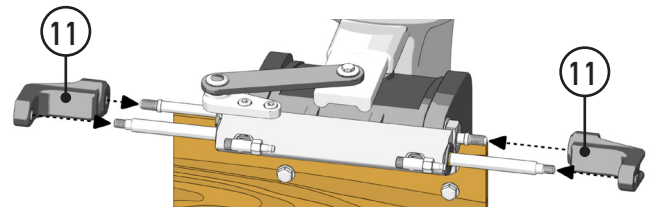
14 Insérer les rondelles (12) dans les deux extrémités de la tige du tube de guidage et visser les écrous (13), avec couple de serrage de 70[Nm] (52[lb-ft]), après les avoir graissés avec de la graisse marine.



⚠ AVERTISSEMENT

Vérifier le couple de serrage correct de tous les deux écrous.

9 Insérer les deux étriers droit et gauche (bull-horns) (11) en connectant la tige et la tige du tube de guidage comme indiqué dans la figure.



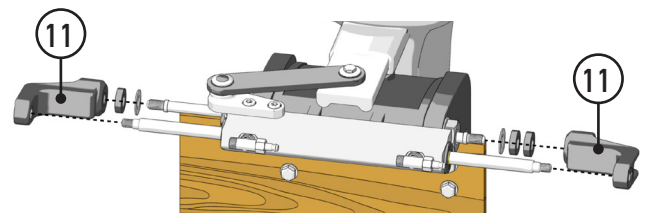
11 Les entretoises correctes identifiées, enlever les étriers.

12 Insérer les entretoises en plastique et celles en acier inox aussi bien que les deux rondelles inox dans la tige du tube de guidage.

NOTE

Les entretoises en acier inox doivent être positionnés vers le tube de guidage du côté opposé aux étriers pour éviter leur usure pendant le levage et la descente du moteur.

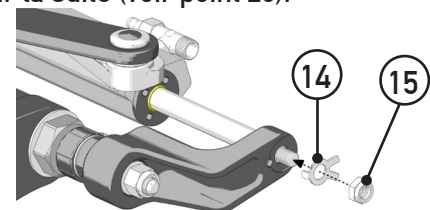
13 Insérer les deux étriers droit et gauche (bull-horns) (11) en connectant la tige et la tige du tube de guidage comme indiqué dans la figure.



15 Positionner les rondelles (14) et visser l'écrou de blocage (15) (et visser les deux écrous de blocage (15)) avec couple de serrage de 60[Nm] (44 [lb-ft]).

NOTE

Les ailettes de la rondelle de sûreté doivent être pliées par la suite (voir point 20).



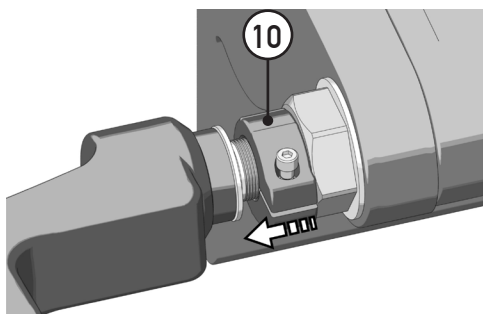
16 Vérifier que le moteur puisse basculer.

⚠ AVERTISSEMENT

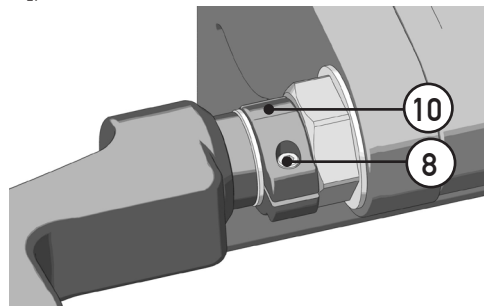
Si pendant le basculement le moteur est bloqué, réduire l'encombrement total des entretoises.



17 Dévisser manuellement la bague d'espacement (10) et la faire entrer en contact avec la rondelle en inox, jusqu'à rattraper complètement le jeu.



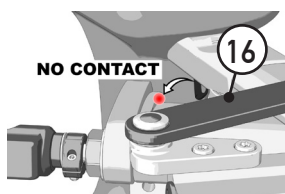
19 Serrer la vis sans tête (8) de la bague d'espacement (10) avec couple de serrage de 3 [Nm] (2 [lb·ft]).



18 S'assurer que le vérin soit installé correctement en déplaçant manuellement le moteur à droite et à gauche.

NOTE

La rotation doit être la plus possible symétrique de sorte à obtenir le même angle de braquage des deux côtés.



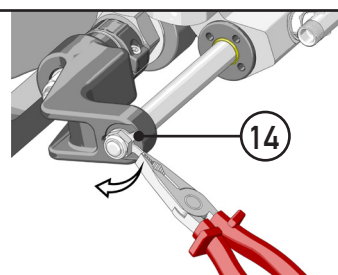
⚠ AVERTISSEMENT

Le moteur doit s'arrêter à travers le fin de course du vérin sans entrer en contact avec l'arrêt (16) sur le moteur.

NOTE

Dans le cas contraire il faut modifier l'installation, en changeant les épaisseurs des entretoises utilisées et répéter la procédure du point 13.

20 Plier les ailettes des rondelles de sûreté (14) en les faisant entrer en contact avec la tête des écrous. Attention à ne pas endommager les étriers au moyen d'une pince.



21 Vérifier à nouveau le mouvement correct du moteur pendant sa rotation droite/gauche aussi bien que pendant son basculement.

⚠ AVERTISSEMENT

Dans cette phase le jeu doit être suffisant à éviter toute sorte de frottement mais il ne doit pas être excessif car il pourrait causer l'instabilité du moteur. En cas de contact avec l'arcasse interrompre l'installation et contacter le personnel spécialisé.

NOTE POUR L'INSTALLATION

La vis identifiée avec la réf. 73584U (fig.C) est la vis de connexion entre le bras du vérin et le bras du moteur qui doit être utilisée avec les moteurs suivants:

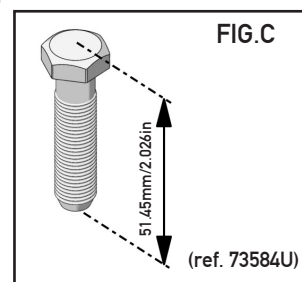
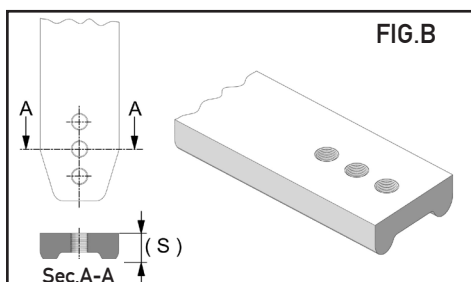
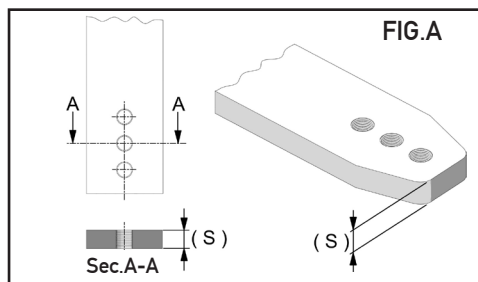
- SUZUKI 100-115-140 (2008 - à aujourd'hui).

- Moteurs avec bras moteur de forme comme en Fig.A et épaisseur (S) entre 10 et 22 mm (0.4" e 0.85").

Pour les autres moteurs avec bras moteur de forme comme en Fig.A et épaisseur (S) max. 10 mm (0.4"), utiliser la vis de connexion standard plus courte que la vis réf. 73584U).

Quand le bras moteur est de forme comme en Fig.B il faut utiliser le KIT réf. 41954W (pas inclus dans le sachet présent) qui contient l'entretoise adéquate.

Si les bras moteur est différent des mesures ci-dessus, contacter notre service après vente.



⚠ ATTENTION

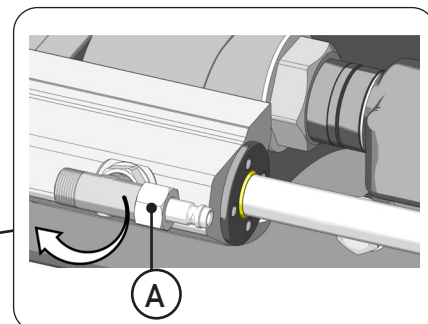
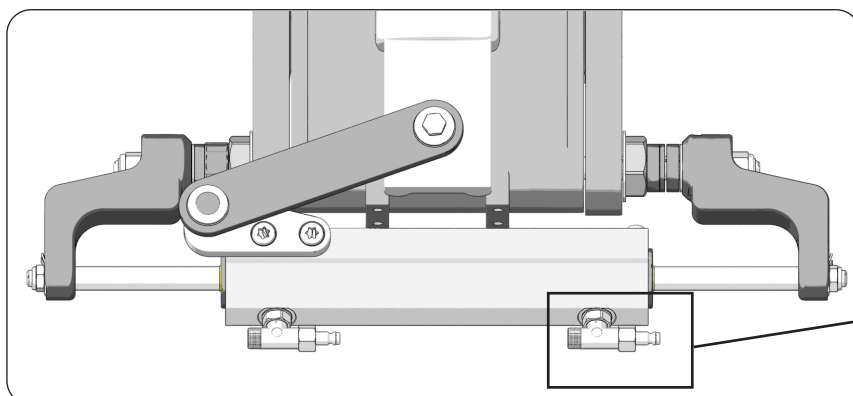
Après l'installation, vérifier que la partie en nylon de l'écrou autofreiné soit vissée sur le filet de la vis.



3.4 Installation tuyaux



Les deux raccords assemblés sur le corps du vérin sont déjà orientés et prêts pour être utilisés. Pour en modifier l'orientation procéder de la façon suivante:



1. desserrer l'écrou de blocage (A) à l'aide d'une clé de 11/16";
2. orienter le raccord selon ses exigences;

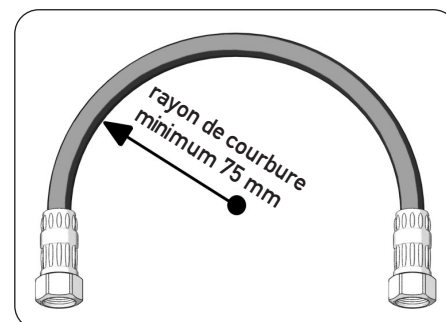
⚠ DANGER

Ne pas dévisser les raccords pour plus d'un tour (360°).

3. serrer de nouveau l'écrou de blocage avec couple de serrage de 20[Nm] (15[lb·ft]) jusqu'à pousser la rondelle au fin de course.

Visser les tuyaux sur les raccords du vérin avec couple de serrage de 20[Nm] (15[lb·ft]).selon les instructions ci-dessous:

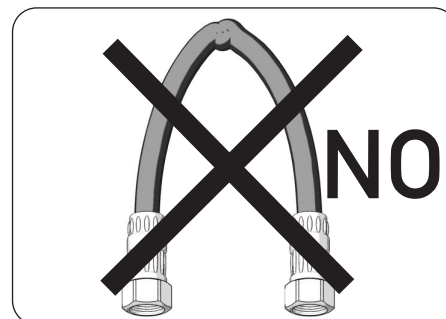
- rayon de courbure minimum des tuyaux 250 mm;
- absence d'interférence pendant le basculement du moteur;
- absence d'interférence avec l'arcasse;



FRANÇAIS

⚠ AVERTISSEMENT

Une courbure excessive du tuyau pourrait en causer la rupture intérieure et compromettre le bon fonctionnement du système. Dans ce cas il faut remplacer le tuyau endommagé.



3.5 Types d'installation

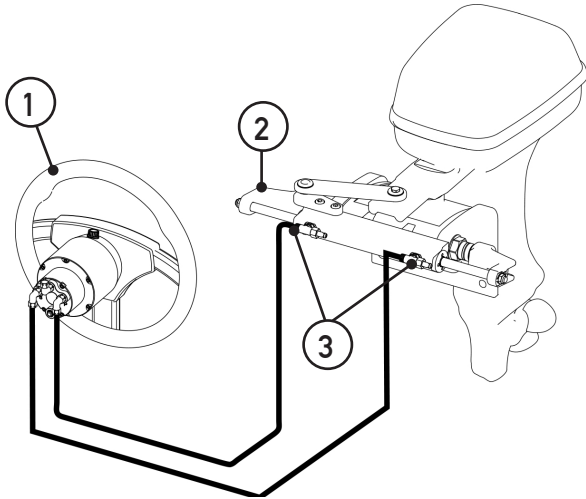


Le vérin hydraulique pour moteurs hors-bord modèle UC95-OBF peut être installé avec un système de gouvernement à poste unique ou double. Les configurations possibles sont indiquées ci-dessous:

ATTENTION

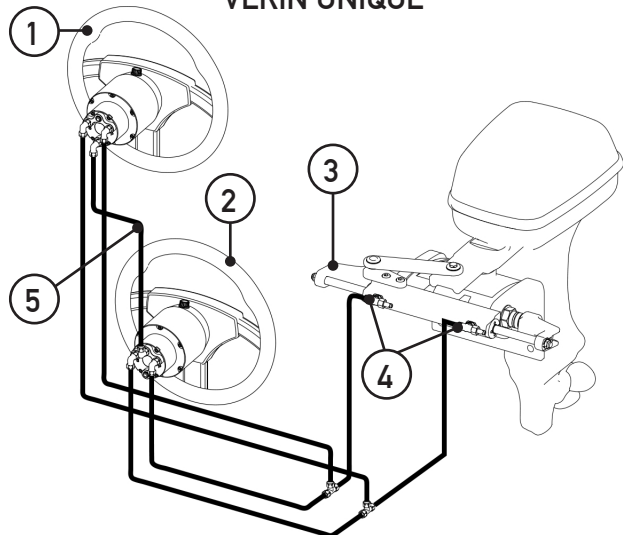
Toujours connecter les tuyaux avec attention comme montré dans les dessins ci-dessous.

POSTE DE GOUVERNEMENT UNIQUE / VERIN UNIQUE:



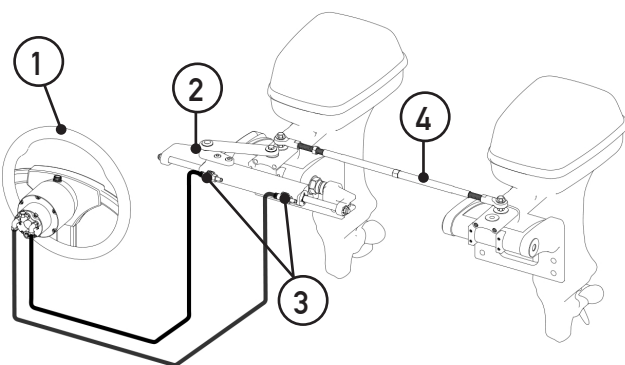
1. poste de gouvernement
2. vérin
3. soupapes de purge

POSTE DE GOUVERNEMENT DOUBLE / VERIN UNIQUE



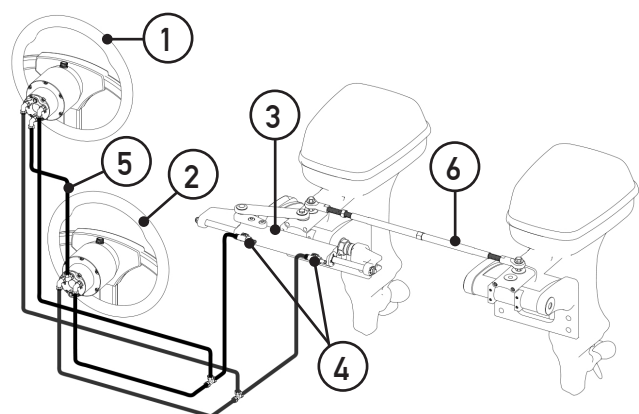
1. poste de gouvernement supérieur
2. poste de gouvernement inférieur
3. vérin
4. soupapes de purge
5. kit OB-2S

POSTE DE GOUVERNEMENT UNIQUE / VERIN UNIQUE/ MOTEUR DOUBLE:



1. poste de gouvernement
2. vérin
3. soupapes de purge
4. barre d'accouplement type A92

POSTE DE GOUVERNEMENT UNIQUE / VERIN UNIQUE/ MOTEUR DOUBLE:



1. poste de gouvernement supérieur
2. poste de gouvernement inférieur
3. vérin
4. soupapes de purge
5. kit OB-2S
6. barre d'accouplement type A92



3.6 Remplissage et purge



Après la première installation et après toute opération d'entretien il faut remplir le système avec de l'huile hydraulique. Cette opération permet d'éliminer complètement l'air du système et en assure le bon fonctionnement. Le système hydraulique doit être rempli depuis le point le plus haut du système lui-même, c'est-à-dire du poste de gouvernement supérieur.

ATTENTION

Pour éviter la formation de bulles d'air dans l'huile, il faut remplir lentement le réservoir.

AVERTISSEMENT

Les opérations de remplissage et de purge doivent être effectuées au moins par deux opérateurs.

DANGER

Utiliser de l'huile **ULTRAFLEX** ou des huiles compatibles.

L'huile hydraulique OL150 est spécifiquement formulée pour **ULTRAFLEX** afin de maintenir le plus longtemps possible pendant le temps le haut niveau de qualité et de performance des produits **ULTRAFLEX**. Sa formule particulière "Sans Zinc" favorise la protection contre l'oxydation marine. Le mélange particulier des composants antiusures et stabilisants, dont OL150 est composé, permettent d'obtenir un résultat optimal en termes de durée du produit et de constance de performance dans les différentes conditions environnementales. L'huile hydraulique **ULTRAFLEX** est conforme à la norme ISO 10592 relative aux systèmes de gouvernement hydrauliques. **ULTRAFLEX** n'est pas responsable de tout dommage ou de toute diminution des performances à cause de l'emploi des huiles hydrauliques différentes de OL150.

DANGER

N'utiliser dans aucun cas d'huiles de transmission type ATF Dexron II ou d'huiles pour les freins qui peuvent provoquer le blocage du système de gouvernement.

Huiles compatibles avec OL150 **ULTRAFLEX** sont:

- Shell Tellus T15 et Shell Tellus T22
- Mobil DTE 11M

NOTE

ULTRAFLEX ne peut pas assurer la compatibilité des huiles indiquées avec OL150 en cas de variation aux formulations par les producteurs des huiles, en particulier la société ne peut pas assurer la correspondance à la norme ISO 10592 relative aux systèmes de gouvernement hydrauliques. **ULTRAFLEX** n'est pas responsable de toute diminution des performances et/ou de la durée.

Les jours après le remplissage il faut contrôler le niveau de l'huile; si nécessaire, en ajouter. Au début le niveau de l'huile peut descendre, car des quantités petites d'air peuvent se libérer de façon homogène. Selon les différents types d'installation, il faut donc effectuer les différentes procédures de purge, comme indiqué à la page suivante.

3.6.1 Positionnement de la bouteille de l'huile

Pour effectuer cette opération il faut avoir le kit de remplissage huile (1 pointeau, 1 tuyau transparent, 1 raccord porte tuyau et 1 bec pour la bouteille huile) NON fourni.

- Enlever le bouchon de la pompe et insérer le raccord de remplissage.
- Fixer un bec à une bouteille nouvelle d'huile hydraulique, en connectant le tuyau flexible du raccord de remplissage au bec de la bouteille.
- Renverser la bouteille et la percer à l'aide de l'aiguille, comme indiqué dans la figure, de sorte à faciliter le passage de l'huile vers la pompe.
Remplir la pompe jusqu'à faire disparaître les bulles d'air dans le tuyau flexible.

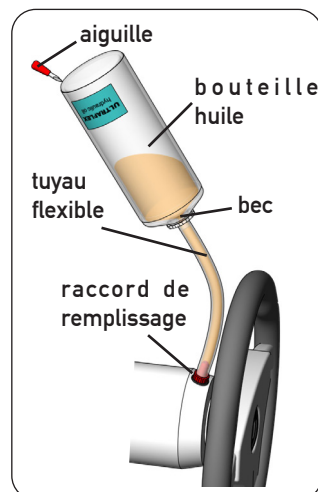


⚠ AVERTISSEMENT

Lors du remplacement des bouteilles d'huile pendant la procédure de remplissage, fermer toutes les soupapes de purge du cylindre/des cylindres. Pour vidanger le système, vérifier que l'huile soit toujours présente dans le tuyau flexible. Si pendant la procédure de purge de l'air entrerait dans le système, toute la procédure devra être répétée.

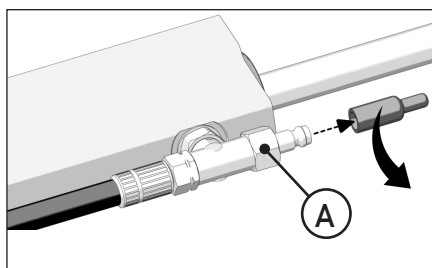
⚠ ATTENTION

Remplacer la bouteille avant sa vidange et ne remployer l'huile sortie du système qu'après au moins 24 heures.

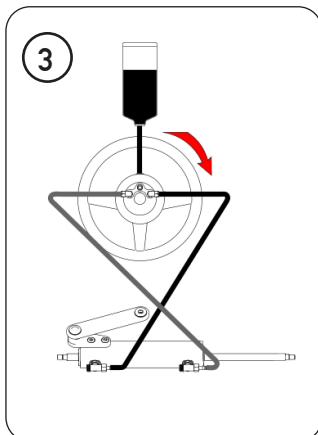
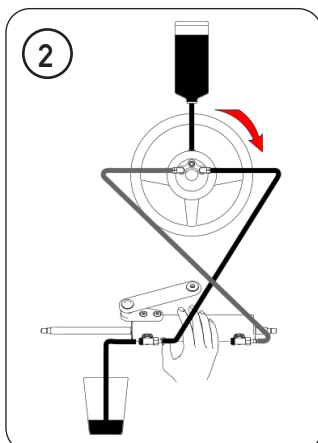
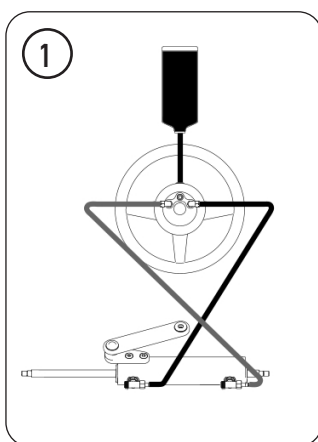


3.6.2 Poste de gouvernement unique/ vérin unique

- Enlever les protections des deux soupapes de purge et desserrer les écrous "A" des deux soupapes de purge d'au max. 1.5 tours.



- Pousser manuellement le corps du vérin au fin de course d'un côté comme indiqué dans la figure 1.
- Positionner la bouteille de l'huile comme indiqué au paragraphe 3.6.1.
- Fermer la soupape de purge du côté du fin de course du vérin et positionner un bac de récupération de l'huile près de l'autre soupape de purge (comme indiqué dans la figure 2).
- Tourner lentement le volant (comme indiqué dans la figure 2) de manière à faire sortir l'huile à travers les tuyaux.



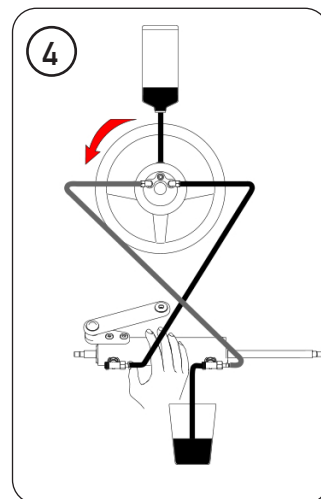
NOTE

Tenir d'une main le corps du vérin afin d'éviter tout déplacement causé par l'air qui se trouve dans la chambre (figure 2).

- Quand l'huile (sans bulles d'air) commence à sortir de la soupape de purge, fermer la soupape de purge et continuer à tourner le volant dans la même direction afin de remplir la chambre du vérin (figure 3). Pendant cette phase le corps du vérin se déplacera vers la direction opposée jusqu'à la fin de sa course.



- Ouvrir l'autre soupape de purge et positionner le bac de récupération de l'huile de l'autre côté. Tenir le corps du vérin dans cette position et tourner lentement le volant comme indiqué dans la figure 4, jusqu'à ce que de l'huile sans bulles sort de la soupape de purge. Ensuite fermer la soupape de purge.
- Répéter de nouveau toute la procédure afin d'assurer l'absence totale d'air dans le circuit.



3.6.3 Poste de gouvernement double/ vérin unique

- Dévisser manuellement les deux soupapes de purge du vérin et pousser les vérins d'un côté jusqu'au fin de course.
- Positionner la bouteille de l'huile près du poste de gouvernement principal (supérieur) suivant les indications indiquées au paragraphe 3.6.1.

AVERTISSEMENT

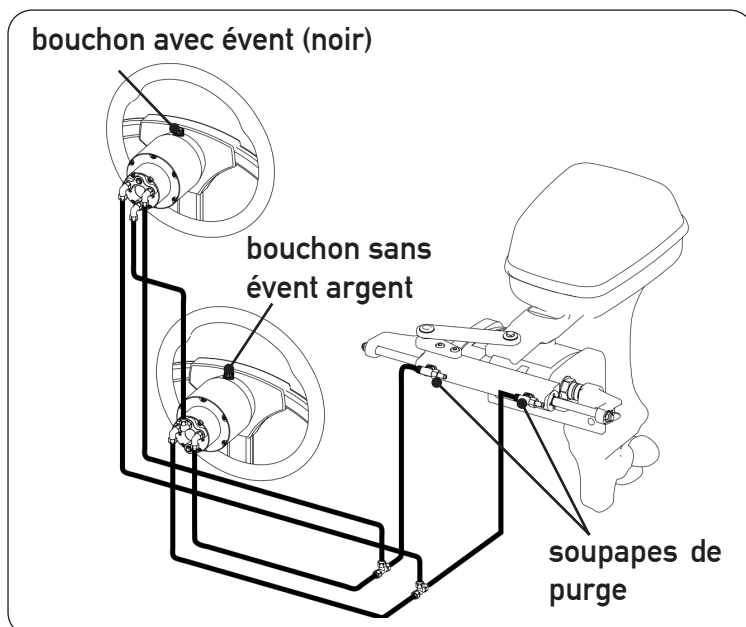
Attendre que l'huile atteigne le réservoir inférieur et que les deux réservoirs soient remplis.

- Suivre la procédure de purge indiquée au paragraphe 3.6.2 en partant du poste de gouvernement inférieur et la répéter en agissant sur le poste de gouvernement supérieur.

AVERTISSEMENT

Pour le réservoir du poste de gouvernement supplémentaire (inférieur) utiliser exclusivement le bouchon sans trou d'évent argent (fourni avec le "kit OB-2S"). Pour le réservoir du poste de gouvernement principal (supérieur) utiliser exclusivement le bouchon avec le trou d'évent couleur noir.

- Répéter au moins 3 fois toute la procédure afin d'assurer l'absence totale d'air à l'intérieur du circuit.



3.7 Recommandation générale

⚠ AVERTISSEMENT

Il est très important de vérifier que l'air sorte complètement du système avant d'utiliser le bateau! On conseille d'essayer de déplacer manuellement le / les moteur /s vers bâbord et tribord, en faisant attention à tous mouvements du corps du vérin sur sa tige.

Si le corps du vérin se déplace de plus d'1/6 de pouce (15mm), de l'air à purger sera encore dans le système. La présence d'air dans le système peut causer des réponses incorrectes aux manœuvres, avec risque d'endommagement, de lésion ou de mort.



4 AVERTISSEMENTS DE SECURITE

Cette section décrit les normes de sécurité à suivre pour utiliser correctement l'appareillage. On recommande de lire cette section avec beaucoup d'attention. On recommande aussi de lire les manuels fournis avec les autres composants du système de gouvernement.

4.1 Normes de sécurité pendant l'installation et l'emploi

RESPECTER RIGOREUSEMENT les précautions et les critères de sécurité indiqués ci-dessous.

La Société **ULTRAFLEX** décline toute responsabilité au cas où l'utilisateur ne les respecterait pas; elle n'est pas non plus responsable pour tout type de négligence commise pendant l'emploi du système.

DANGER

- NE PAS INSERER LES MAINS ENTRE LES ORGANES EN MOUVEMENT.
- Ne pas désactiver ou déconnecter les dispositifs de sécurité.
- Ne pas modifier ou ajouter n'importe quel dispositif au système, sans autorisation écrite ou intervention technique de la Société **ULTRAFLEX** qui atteste dans la description de l'intervention la modification effectuée.
- Ne pas utiliser l'appareillage pour un but différent de celui auquel il a été destiné et qui est spécifié dans le manuel d'installation et d'entretien.
- Ne pas faire exécuter l'installation par du personnel pas spécialisé.
- Ne pas désassembler les connexions hydrauliques sans avoir déchargé complètement l'huile du système. Les tuyaux peuvent contenir de l'huile à pression.

AVERTISSEMENT

- Ne pas monter sur le vérin.
- Après avoir installé et purgé le système, effectuer un contrôle avant de commencer la navigation. Tourner le volant jusqu'au point de fin de course du/des vérin/s. Répéter la manoeuvre en tournant le volant dans la direction opposée. Répéter l'opération avec tous les systèmes de gouvernements installés afin d'assurer qu'ils soient installés correctement et que le système fonctionne bien.
- Faire très attention pendant l'application du produit bloquant (type Loctite). S'il atteint le système hydraulique, il cause des dommages et des ruptures.
- Pour sceller les raccords, ne jamais utiliser du ruban en téflon ou n'importe quel type de ruban adhésif qui pourrait être aspiré par le système et l'endommager irréparablement.
- Pendant l'installation du système, faire très attention à nettoyer soigneusement, pour éviter la pénétration de n'importe quel corps étranger dans le système lui-même. Même un objet très petit pourrait causer des dommages permanents qui ne sont pas détectés immédiatement.
- Eviter tout rayon de courbure trop étroit des tuyaux.
- Eviter le contact des tuyaux avec des bords ou des arêtes pointus.
- Eviter le contact des tuyaux avec des sources de chaleur.

4.2 Habillement

AVERTISSEMENT

Pendant les phases d'installation, inspection ou entretien, IL EST RIGOREUSEMENT INTERDIT de porter de colliers, de bracelets ou de vêtements qui pourraient s'engager dans les parties en mouvement.



5 ENTRETIEN

5.1 Entretien ordinaire

⚠ AVERTISSEMENT

La non-observation des contrôles d'entretien peut causer la perte de guidage avec des dommages matériels et/ou des lésions personnelles. Les conditions requises pour l'entretien varient selon le climat, la fréquence et le mode d'emploi. Des inspections au moins annuelles sont nécessaires; elles doivent être effectuées par un mécanicien nautique spécialisé. Il faut contrôler les raccords et l'état des joints du vérin et de la pompe, afin de prévenir toute sorte de fuite; les remplacer si nécessaire. Pour maintenir un niveau adéquat d'huile dans le réservoir remplir et purger le système comme indiqué dans le manuel au paragraphe 3.6. Tous les six mois contrôler l'usure des tuyaux et de tout le système, la fixation des écrous et des boulons et s'assurer qu'ils soient parfaitement intacts. Nettoyer le système avec de l'eau et du savon pas abrasif.

⚠ AVERTISSEMENT

Utiliser exclusivement des huiles hydrauliques compatibles, indiquées au paragraphe "caractéristiques techniques" et "remplissage et purge". Ne jamais utiliser d'huiles de frein ou de fluides pour transmissions automatiques (ATF).

⚠ AVERTISSEMENT

Après les 10 premières heures d'emploi et ensuite périodiquement vérifier l'intégrité et le serrage des connexions.

⚠ ATTENTION

En cas de désassemblage des écrous autofreinés, ces derniers devront être remplacés. (Contacter notre service d'assistance, voir page 58).

5.2 Remplacement têtes

Si, au fil du temps, à cause d'usure normale ou de mauvais entretien, des pertes d'huile sont détectées des joints des têtes, il faut les remplacer.

⚠ AVERTISSEMENT

Si les têtes usées ne sont pas remplacées, le cylindre ne fonctionne pas correctement mettant en danger l'utilisateur.

ULTRAFLEX fournit un kit spécial contenant les composants nécessaires pour le remplacement.

NOTE

Le kit est équipé avec les instructions relatives à la procédure correcte de remplacement.



5.3 Recherche des pannes

AVERTISSEMENT

Toutes les fois que les contrôles suivants nécessitent du désassemblage des composants du système de gouvernement, il faut demander l'intervention du personnel qualifié. La Société **ULTRAFLEX** offre des indications générales et décline donc toute responsabilité pour les informations et les conséquences dérivant d'un désassemblage incorrect.

PROBLEME	CAUSE POSSIBLE	INTERVENTION
La direction est bloquée pendant la phase de remplissage.	<ul style="list-style-type: none"> Blocage dans les tuyaux entre la pompe et le vérin. 	<ul style="list-style-type: none"> Remplacer les tuyaux. <p> AVERTISSEMENT</p> <p>Le tuyau endommagé doit être remplacé. S'il n'est pas remplacé, cela peut causer la perte de contrôle et provoquer des lésions personnelles graves ou des dommages aux biens.</p>
Il est difficile de remplir le système. L'air gargouille dans la partie supérieure du réservoir de la pompe même après avoir rempli totalement le système.	<ul style="list-style-type: none"> Air dans le système. 	<ul style="list-style-type: none"> Répéter la procédure de remplissage et de purge du système. Installer les tuyaux horizontalement et en tout cas avec une inclinaison maximum d'environ 3cm par mètre.
	<ul style="list-style-type: none"> Pertes depuis un raccord de purge du vérin. 	<ul style="list-style-type: none"> Fermer à fond le raccord de purge sur le vérin.
	<ul style="list-style-type: none"> Tuyau enroulé. 	<ul style="list-style-type: none"> Dérouler et redresser le tuyau.
	<ul style="list-style-type: none"> Pompe assemblée avec le trou de remplissage en position basse. 	<ul style="list-style-type: none"> Assembler la pompe avec le trou de remplissage en position haute.
La direction est rigide et difficile à manoeuvrer, même quand le bateau est à l'arrêt.	<ul style="list-style-type: none"> Rétrécissement dans les tuyaux ou dans les raccords. 	<ul style="list-style-type: none"> Chercher le rétrécissement et l'éliminer.
	<ul style="list-style-type: none"> Air dans l'huile. 	<ul style="list-style-type: none"> Répéter la procédure de remplissage et de purge du système.
La direction est rigide et difficile à manoeuvrer, même quand le bateau est à l'arrêt.	<ul style="list-style-type: none"> Emploi incorrect de l'huile. 	<ul style="list-style-type: none"> Répéter la procédure de remplissage et de purge du système. <p> AVERTISSEMENT</p> <p>La Société ULTRAFLEX décline toute responsabilité et la garantie est automatiquement annulée en cas de dommages causés par l'emploi de fluides différents de ceux qui sont recommandés dans ce manuel.</p>
La direction est rigide et difficile à manoeuvrer, même quand le bateau est à l'arrêt, si l'on utilise des vérins non équilibrés.	<ul style="list-style-type: none"> Saleté dans la soupape. 	<p> AVERTISSEMENT</p> <p>Ne pas utiliser le bateau et demander l'intervention d'un technicien spécialisé pour le nettoyage de la soupape.</p>



La direction se manoeuvre facilement dans le quai, mais elle est rigide quand le bateau est en mouvement.	<ul style="list-style-type: none"> Le volant est trop petit. 	<ul style="list-style-type: none"> Remplacer le volant avec un volant plus grand. <p>⚠ AVERTISSEMENT Seulement dans les dimensions maximum admises par la direction hydraulique.</p>
	<ul style="list-style-type: none"> Le réglage du correcteur de stabilité est incorrect. 	<ul style="list-style-type: none"> Régler le correcteur de stabilité.
	<ul style="list-style-type: none"> Air dans l'huile. 	<ul style="list-style-type: none"> Contrôler le niveau de l'huile et répéter la procédure de purge comme indiqué dans le manuel.
Lorsqu'on tourne le volant, la tige (vérins à tige mobile) ou le corps (vérins à tige fixe) du vérin ne se déplacent pas.	<ul style="list-style-type: none"> Air dans le système. 	<ul style="list-style-type: none"> Répéter la procédure de remplissage et de purge du système.
	<ul style="list-style-type: none"> Perte d'huile. 	<ul style="list-style-type: none"> Chercher la perte et s'adresser à du personnel qualifié.
Pertes d'huile des raccords de la direction hydraulique.	<ul style="list-style-type: none"> Pompe assemblée avec le trou de remplissage en position basse. 	<ul style="list-style-type: none"> Assembler la pompe avec le trou de remplissage en position haute.
	<ul style="list-style-type: none"> Raccords mal vissés ou avec couple de serrage insuffisant. 	<ul style="list-style-type: none"> Serrer les raccords. Appliquer un couple maximum de 20Nm (15 in.lbs).
Pertes d'huile du bouchon du réservoir.	<ul style="list-style-type: none"> Manque de produit scellant pour les raccords. <p>⚠ AVERTISSEMENT Pour sceller les raccords ne jamais utiliser du ruban en téflon ou du ruban adhésif.</p>	<ul style="list-style-type: none"> Vider le système et le désassembler. Enlever les raccords et nettoyer les filetages de l'huile. Positionner le produit scellant, visser les raccords, installer la pompe. <p>⚠ AVERTISSEMENT Cette opération terminée, il faut effectuer la purge à nouveau.</p>
	<ul style="list-style-type: none"> Bouchon mal vissé. 	<ul style="list-style-type: none"> Visser le bouchon.
	<ul style="list-style-type: none"> Bouchon avec évent (noir) placé sur la pompe supplémentaire positionnée en bas. 	<ul style="list-style-type: none"> Remplacer le bouchon avec évent (noir) avec le bouchon pour kit boîte de direction supplémentaire (argent).
	<ul style="list-style-type: none"> Joint usée ou endommagée. 	<ul style="list-style-type: none"> Remplacer le bouchon.
	<ul style="list-style-type: none"> Niveau de l'huile trop haut. 	<ul style="list-style-type: none"> Suivre la procédure de maintien niveau huile décrite dans le manuel de la pompe.



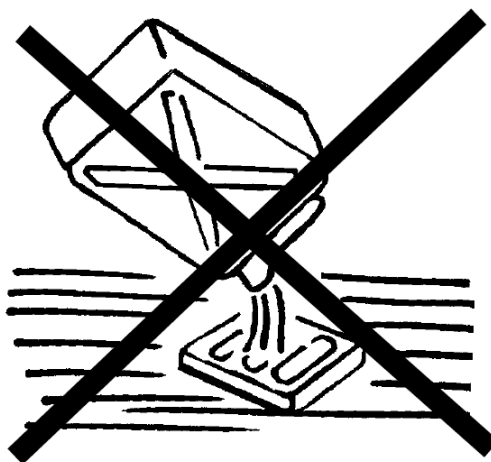
6 DEMOLITION

6.1 Démolition

Si la machine doit être mise hors service pour quelques raisons que ce soit, les règles fondamentales suivantes doivent être observées pour la protection de l'environnement.

Gaines, conduits flexibles, composants de matériel plastique ou non métalliques, devront être désassemblés et éliminés séparément.

Le système de conduite **CONTIENT DES HUILES POLLUANTES**
qui devront être éliminées selon les normes en vigueur.



NOTES

NOTES
