

# OWNER'S MANUAL

Ref.65000065

## WATERPROOF 2 WAY STEREO SPEAKERS



**MARINE STEREO SPEAKERS**

Ø165mm. / Watt power: 120 (pair)

Juego de altavoces  
Pair de haut-parleurs  
Speakers Set

Ø165mm.

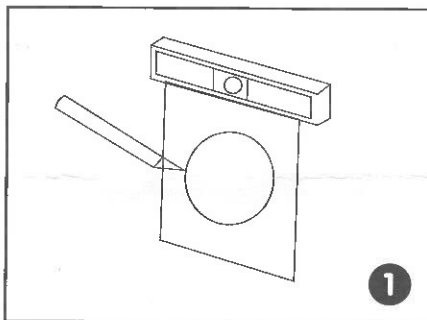
Db: 91

Ohm: 4

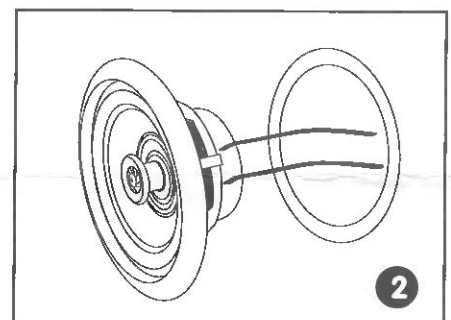
Frequency: 60Hz.

Protection: IP44

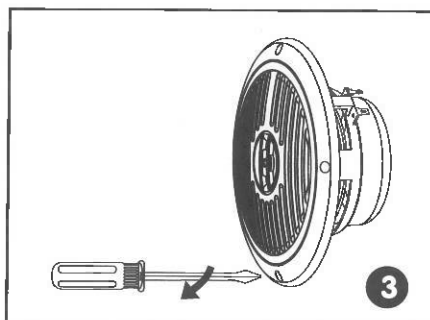
### INSTALLATION GUIDE



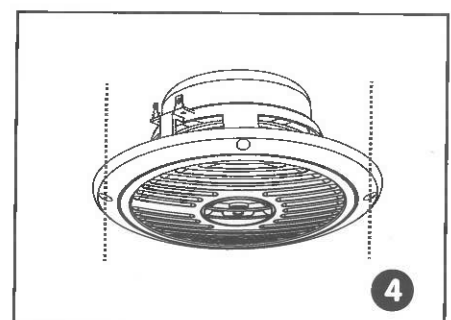
Cut the drywall.  
Note: Always allow at least one-half inch between a wall stud and the speaker cutout or the locking tabs will not be able to swivel into place.



Connect the speaker wires to the speaker.



Screw down each of the four Phillips head screws. The locking tabs will swivel into place and secure the unit to the rear surface of the drywall. Put in the strips of adhesive to secure the grille.



Replace the metal grille.

# OWNER'S MANUAL

Ref.65000066

## WATERPROOF 2 WAY STEREO SPEAKERS



### MARINE STEREO SPEAKERS

Ø205mm. / Watt power: 180 (pair)

Juego de altavoces  
Pair de haut-parleurs  
Speakers Set

Ø205mm.

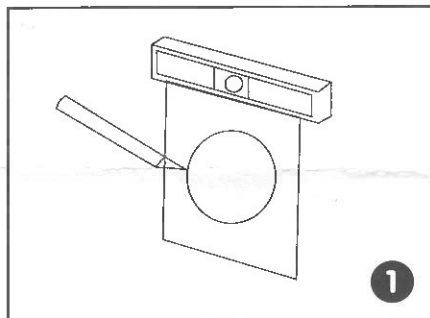
Db: 91

Ohm: 4

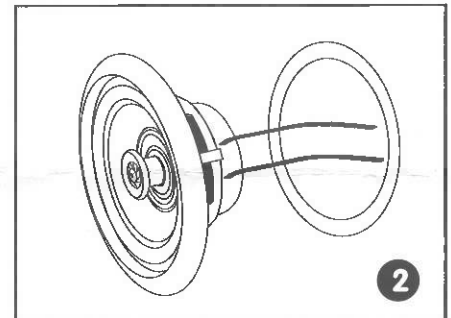
Frequency: 40Hz.

Protection: IP44

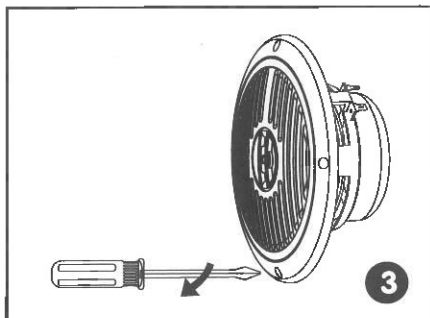
### INSTALLATION GUIDE



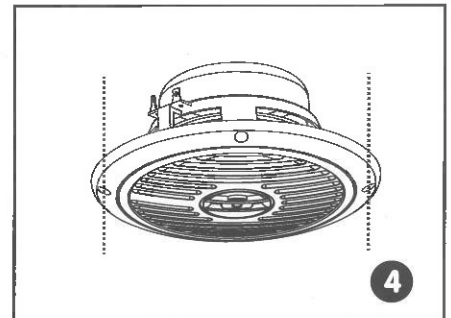
Cut the drywall.  
Note: Always allow at least one-half inch between a wall stud and the speaker cutout or the locking tabs will not be able to swivel into place.



Connect the speaker wires to the speaker.



Screw down each of the four Phillips head screws. The locking tabs will swivel into place and secure the unit to the rear surface of the drywall. Put in the strips of adhesive to secure the grille.



Replace the metal grille.