

PA-90 Deck connector SO 239 (UHF) type - white

Code: PF AN NCONN024

PA-90B Deck connector SO 239 (UHF) type - black

Code: PF AN NCONN026

PA-91 Deck connector N type - white

Code: PF AN NCONN025

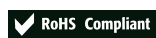
PA-91B Deck connector N type - black

Code: PF AN NCONN027

ENG

CONTENTS

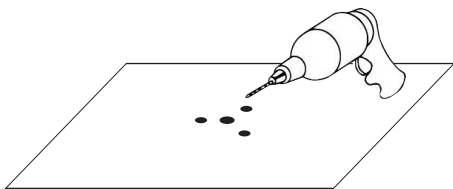
- Deck connector (x1)
- O-ring gasket (x1)
- Stainless steel self-tapping screw (x3)
- Protection shroud (x1)



MOUNTING PROCEDURE

1 - Choose the surface on which installing the deck connector, the surface must be even and every material is allowed (the self-tapping screws don't work properly on a metal surface).

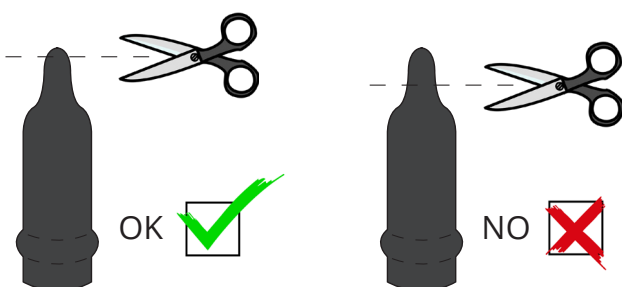
2 - Use the mounting template (that you'll find at the end of this page) to drill the four holes on the surface, and clean it in the end. Depending on the type of male connector that you'll use to make the connection it might be necessary to drill a larger hole than what indicated in the mounting template.



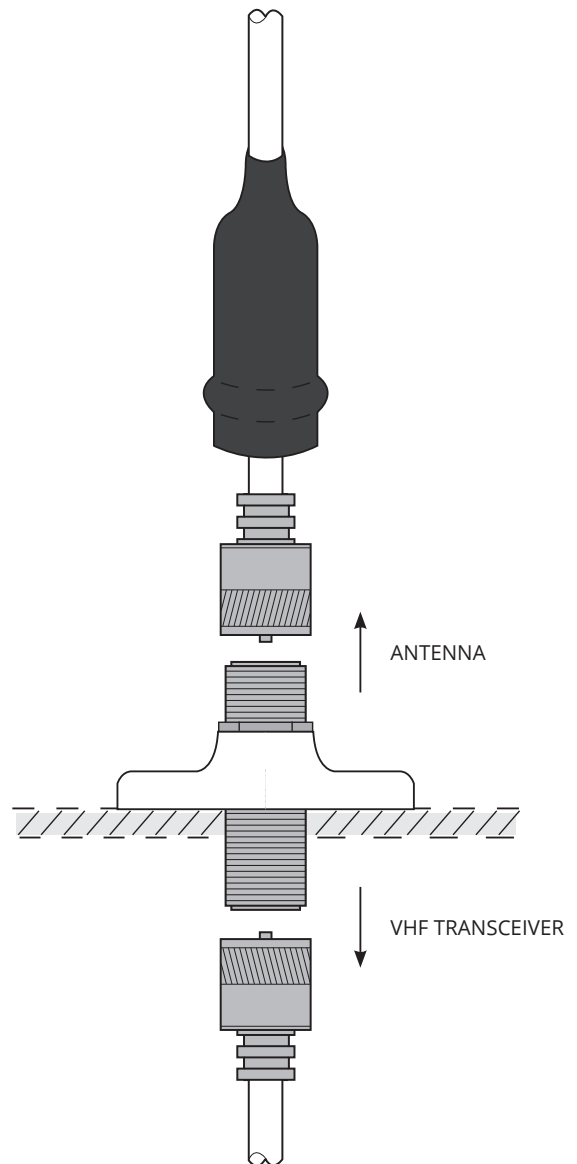
3 - Place the O-ring gasket in the groove on the bottom side of the deck connector.

4 - Cut the top of the protection shroud to let the coaxial cable pass through it.

Warning: cut as less as possible and little by little to avoid making a hole that is too wide for the coaxial cable. The protection shroud must be as tight as possible on the coaxial jacket.



5 - Complete the installation and the connections as indicated in the picture below.



5 - Finish the installation by adding some silicone to improve the water resistance.

Drilling template

