

V-Charger

V-SERIES DUAL PORT USB 2.0 CHARGERS

The Carling Technologies USB V-Charger is designed to charge tablets, e-readers, mobile and gaming devices, digital cameras, as well as other compatible electronic devices.

Providing a total current of 3.15 amps, the V-Charger delivers fast charging times even in extreme temperatures from -40°C to +80°C. This innovative product safeguards its electronics with integrated over-current and thermal overload protection, as well as optional load dump circuitry, assuring prolonged safe and reliable operation. The center LED indicates charging is in progress. Snap-in mounting for an industry standard 1.450" x .830" panel cutout makes installation easy.

Additionally, the V-Charger's double torsion spring-loaded access doors automatically close and provide up to IP65 sealing protection with precision-fit silicone rubber seals.



Resources:

[Configure a Complete Part](#)

[Download CAD & Sales Drawing >](#)

[Watch Product Video](#)



Product Highlights:

- ◆ Dual USB Charging Ports
- ◆ 3.15 Amps for Faster Charging
- ◆ 10,000 Operating Cycles per Port
- ◆ Up to IP65 Sealing Protection
- ◆ 12-24V Operating Voltage
- ◆ Protection for Internal Components
- ◆ Curved or Square Style Doors

Typical Applications:

- ◆ On/Off-Highway Equipment
- ◆ Golf Carts
- ◆ Lawn & Garden Equipment
- ◆ Marine
- ◆ Military



Carling Technologies®
Innovative Designs. Powerful Solutions.

Carling Technologies, Inc.
60 Johnson Avenue, Plainville, CT 06062
Email: sales@carlingtech.com
Application Support: team2@carlingtech.com
Phone: 860.793.9281 Fax: 860.793.9231

www.carlingtech.com

V-Charger

DESIGN FEATURES

DUAL USB 2.0 PORTS

Total current of 3.15 amps, facilitating faster charges

SPRING LOADED DOORS

Stylish, curved or square double doors automatically close to cover and seal each port when not in use

LED

Green LED brightens to indicate charging is in progress



SEALING PROTECTION

Silicone rubber seal perfectly mates with door indent to provide up to IP65 level of sealing protection

PANEL SEAL

Prevents water ingress beneath panel to protect critical connections

MOUNTING

Fits industry standard panel opening size of 1.450" x .830"

Electrical

USB Type	2.0
Number of USB Ports	2
Operating Voltage	12V/24V DC power systems (9 to 29 VDC)
Output Voltage	5.0 VDC
Max Output Current	3.15A DC Total
Current Draw (No Load)	12V: 1.5 mA, 24V: 3.5 mA
Compatibility	Charges mobile devices including iPad, iPhone, iPod, HTC, Galaxy, Blackberry, MP3 Players, Digital Cameras and PDA's
LED Indicator	Green LED brightens when charging is in progress.
Receptacle Insertion Life	10,000 operating cycles per port minimum
Terminals	Copper/silver plating 1/4" (6.3 mm) Quick Connect terminations
Reverse Polarity	Operational with correct polarity after reverse polarity exposure
ESD	15kV air, 8 kV touch
Output Protection	Short Circuit and Overload
Load Dump Protection (Optional)	10 pulses to 174V at 1 minute intervals per ISO 16750-2 (Pulse 5a, Ri = 8 ohms)
EMI	FCC Part 15, Class B
Thermal Overload Protection	Operation will cease if internal temperature reaches 125°C. Charging will resume after sufficient heat loss

Physical

Materials	Housing: Polycarbonate/PBT Doors: Polyester Light Pipe: Polycarbonate Torsion Springs and Pins: Stainless Steel Door Seal: Silicone PCBA Gasket and Panel Gasket: Closed Cell Neoprene Terminals: Silver plated Copper Electronics: Two PCB Assemblies
Panel Opening	1.450" x .830"
Panel Thickness	.030 - .156 inches
Panel Mounting Method	Front Panel Insertion
Installation Insertion Force	12-28 lbs typical (dependent on panel design)
Panel Retention Force	Greater than 35 lbs (dependent on panel design)
Depth Behind Panel	See Dimensional Specifications
Connectors	VC1, VC2
Weight	Approximately 45g (1.6 oz)
Styling Options	Curved or square USB port doors (See Dimensional Specifications)
Port Protection	Twin, self-closing doors

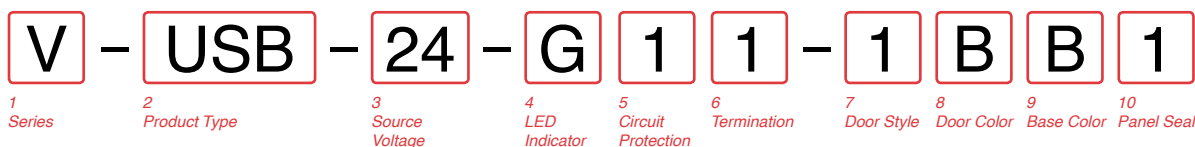
Environmental

Sealing	IP65 for front panel components (with closed curved style doors) IP6X for front panel components (with closed square style doors)
Operating Temperature	-40° to +60°C at 3.15A -40° to +70°C at 2.4A -40° to +80°C at 2.1A
Vibration	MIL-STD 202G, Method 204D, Test Condition A. 0.06DA or 10G, 10-500 Hz
Shock	MIL-STD 202G, Method 213B, Test Condition K @ 30-G. No loss of circuit during test.
Chemical Exposure	Brush method with USB doors closed: diesel, gasoline, brake fluid, Windex, Armor All
Thermal Shock	MIL-STD 202G, Method 107G, Test Condition A, -40° to 85°C. Test Criteria: Remains functional without damage.
Moisture Resistance	MIL-STD 202G, Method 106G. Test Criteria: Remains functional without damage
Thermal Cycling	25 Cycles -40° to 85°C, 2 hours for each temperature every cycle
Salt Spray	MIL-STD 202G, Method 101E, Test Condition A
Blowing Dust	MIL-STD 810G Method 510.5, Air Velocity: 1750 ± 250 ft/min, Test Duration: 12 hours

Mechanical

Endurance	10,000 open/close cycles minimum per door
-----------	---

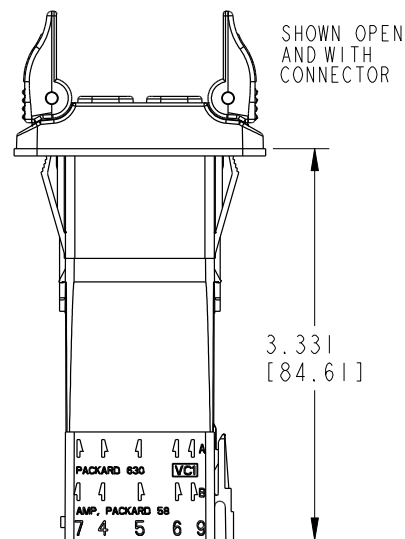
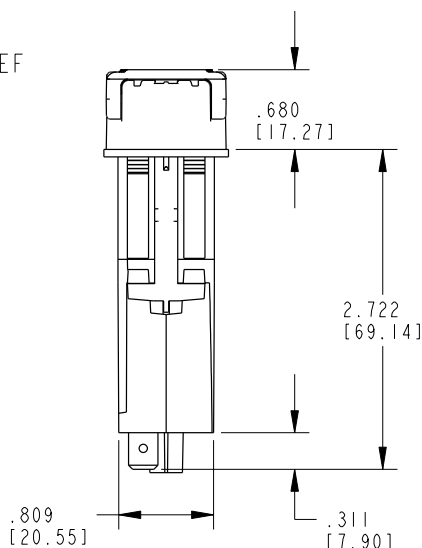
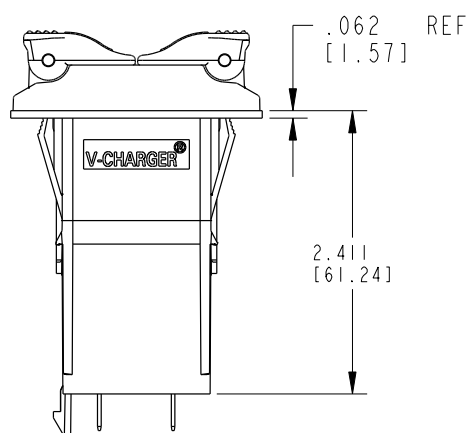
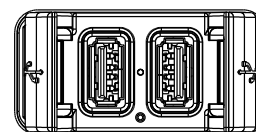
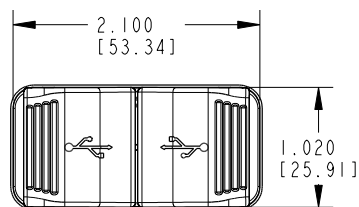
Ordering Scheme



1 SERIES V	6 TERMINATION 1 .250 Tab
2 PRODUCT TYPE USB Charger	7 DOOR STYLE 1 Curved 2 Square
3 SOURCE VOLTAGE 24 24 / 12 Volts DC	8 DOOR COLOR B Black
4 LED INDICATOR (VOLTAGE MATCHES SOURCE) G Green 0 None	9 FRAME COLOR B Black
5 CIRCUIT PROTECTION 1 Reverse Polarity, Thermal Overload & Overcurrent 2 Load Dump, Reverse Polarity, Thermal Overload & Overcurrent	10 PANEL SEAL 1 Yes

Dimensional Specifications: in. [mm]

Curved Door Style Option

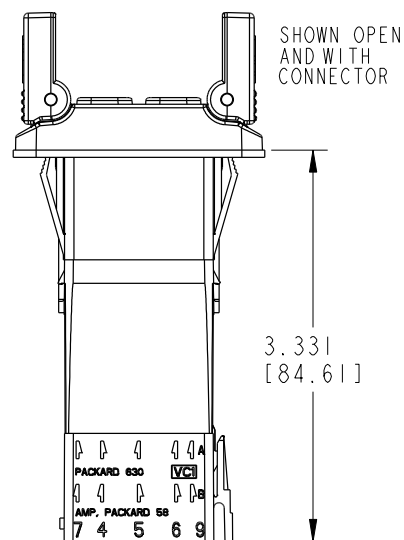
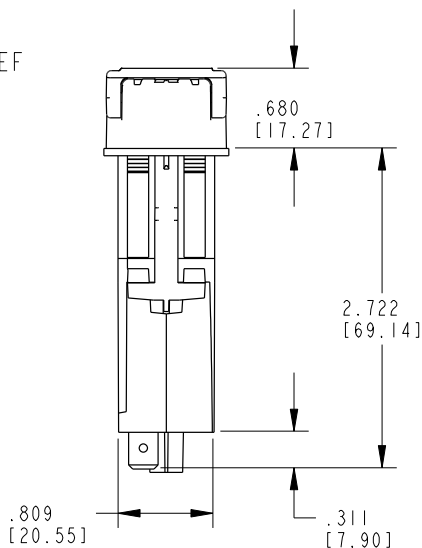
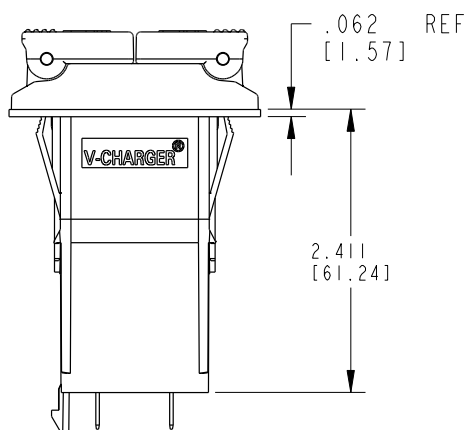
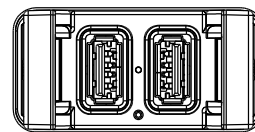
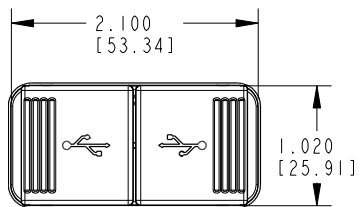


Notes:
 1 Charger to install into 1.450" X 0.830" panel opening

COS-0075 Rev: C
 CLA-0136 Rev: B

Dimensional Specifications: in. [mm]

Square Door Style Option



Notes:

- 1 Charger to install into 1.450" X 0.830" panel opening

Authorized Sales Representatives and Distributors

Click on a region of the map below to find your local representatives and distributors or visit www.carlingtech.com/findarep.



About Carling

Founded in 1920, Carling Technologies is a leading manufacturer of electrical and electronic switches and assemblies, circuit breakers, electronic controls, power distribution units, and multiplexed power distribution systems. With four ISO registered manufacturing facilities and technical sales offices worldwide, Carling Technologies Sales, Service and Engineering teams do much more than manufacture electrical components, they engineer powerful solutions! To learn more about Carling please visit www.carlingtech.com/company-profile.

To view all of Carling's environmental, quality, health & safety certifications please visit www.carlingtech.com/environmental-certifications

Worldwide Headquarters

Carling Technologies, Inc.
60 Johnson Avenue, Plainville, CT 06062
Phone: 860.793.9281 **Fax:** 860.793.9231
Email: sales@carlingtech.com

Northern Region Sales Office: nrsm@carlingtech.com
Southeast Region Sales Office: sersm@carlingtech.com
Midwest Region Sales Office: mrrsm@carlingtech.com
West Region Sales Office: wrsm@carlingtech.com
Latin America Sales Office: larsm@carlingtech.com

Asia-Pacific Headquarters

Carling Technologies, Asia-Pacific Ltd.,
Suite 1607, 16/F Tower 2, The Gateway,
Harbour City, 25 Canton Road,
Tsimshatsui, Kowloon, Hong Kong
Phone: Int + 852-2737-2277 **Fax:** Int + 852-2736-9332
Email: sales@carlingtech.com.hk

Shenzhen, China: shenzhen@carlingtech.com
Shanghai, China: shanghai@carlingtech.com
Pune, India: india@carlingtech.com
Kaohsiung, Taiwan: taiwan@carlingtech.com
Yokohama, Japan: japan@carlingtech.com

Europe | Middle East | Africa Headquarters

Carling Technologies LTD
4 Airport Business Park, Exeter Airport,
Clyst Honiton, Exeter, Devon, EX5 2UL, UK
Phone: Int + 44 1392.364422 **Fax:** Int + 44 1392.364477
Email: ltd.sales@carlingtech.com

Germany: gmbh@carlingtech.com
France: sas@carlingtech.com



Carling Technologies®

Innovative Designs. Powerful Solutions.

Mouser Electronics

Authorized Distributor

Click to View Pricing, Inventory, Delivery & Lifecycle Information:

[Carling Technologies:](#)

[V-USB-24-G11-1BB1](#) [V-USB-24-G11-2BB1](#)