

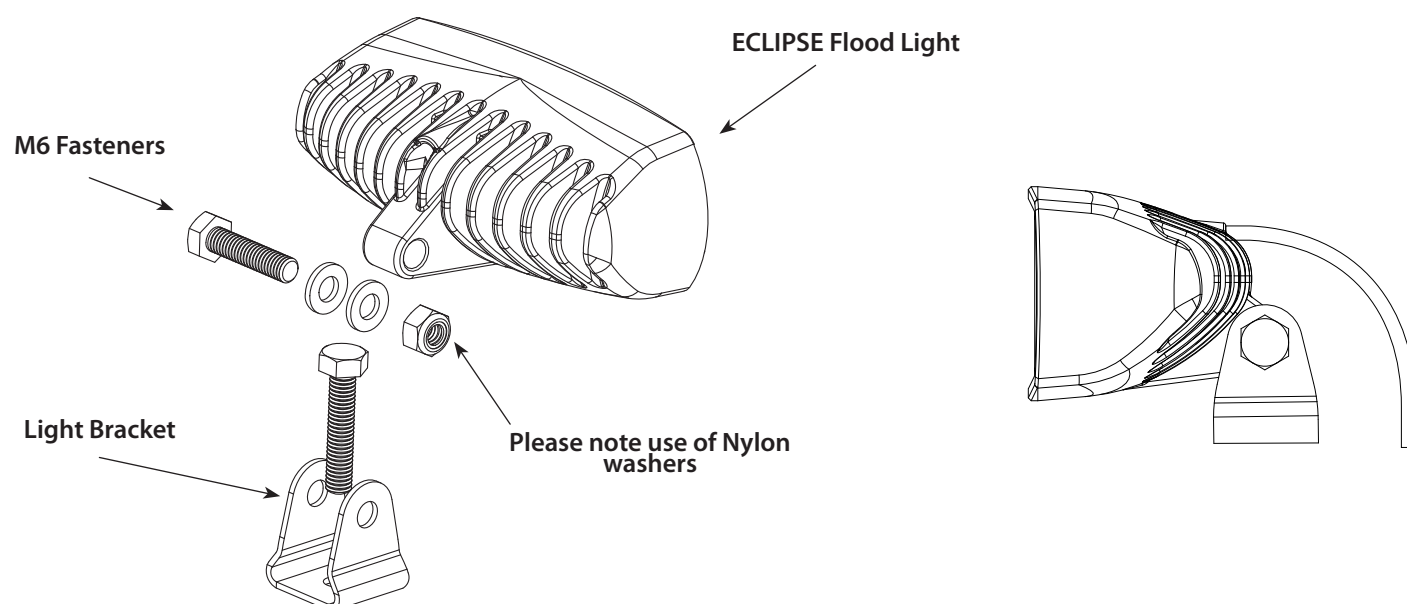


Please read the following pages before attempting installation to ensure complete understanding of Lumishore ECLIPSE Flood Light 4". This product should only be installed, inspected, and maintained by a qualified electrician only, in accordance with all applicable electrical codes. Be certain electrical power is OFF before and during installation and maintenance.

Colour Output	Voltage	Amps (max)
Single Colour 4"	10-31VDC	1.7A

Installation Instructions:

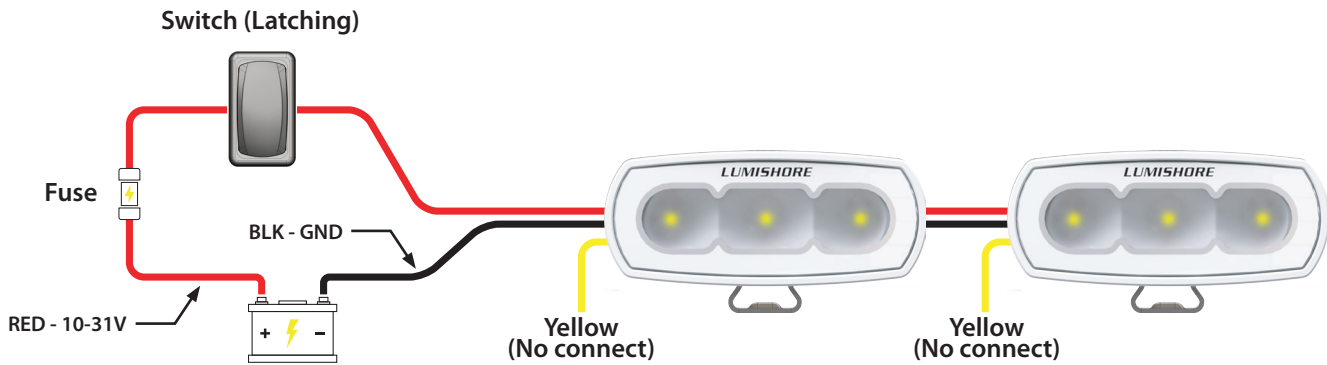
1. Select mounting location. Mounting location should be flat and durable.
2. Using a suitable bit, drill the bracket hole. Bracket has a 6.5mm hole suitable for an M6 bolt (supplied), a louvre feature has been added to lock onto the bolt head and to avoid spinning when tightening.
3. Drill a 6mm (0.236in) hole for the cable. The cable should always be in a 'fixed' position, no movement or rotation. The cable entry should be made watertight, the use of a cable gland is recommended.
4. Fix bracket in place using supplied M6 bolt and nylon insert nut. Apply the appropriate torque based on fixings used and mounting surface.
5. Mount the ECLIPSE Flood Light to bracket using the supplied M6 bolt, washers and nylon insert nut. Ensure nylon washers are placed on the inside of the stainless steel bracket. Tighten to a torque of 5Nm, DO NOT over tighten.



Wiring Diagrams:

Wiring should be carried out as per ABYC guidelines. The Lumishore ECLIPSE Flood Light 4" will operate with a simple On/Off switch, controlled through an MFD via ECLIPSE Command Center, and it can also be controlled by MFD via LUX Light Control Module and EOS-LUX Command Center. For further electrical installation instructions and wiring diagrams please follow the link www.lumishore.com/resources and search the product name.

Single switch wiring - No MFD control via LUX Light Control Module

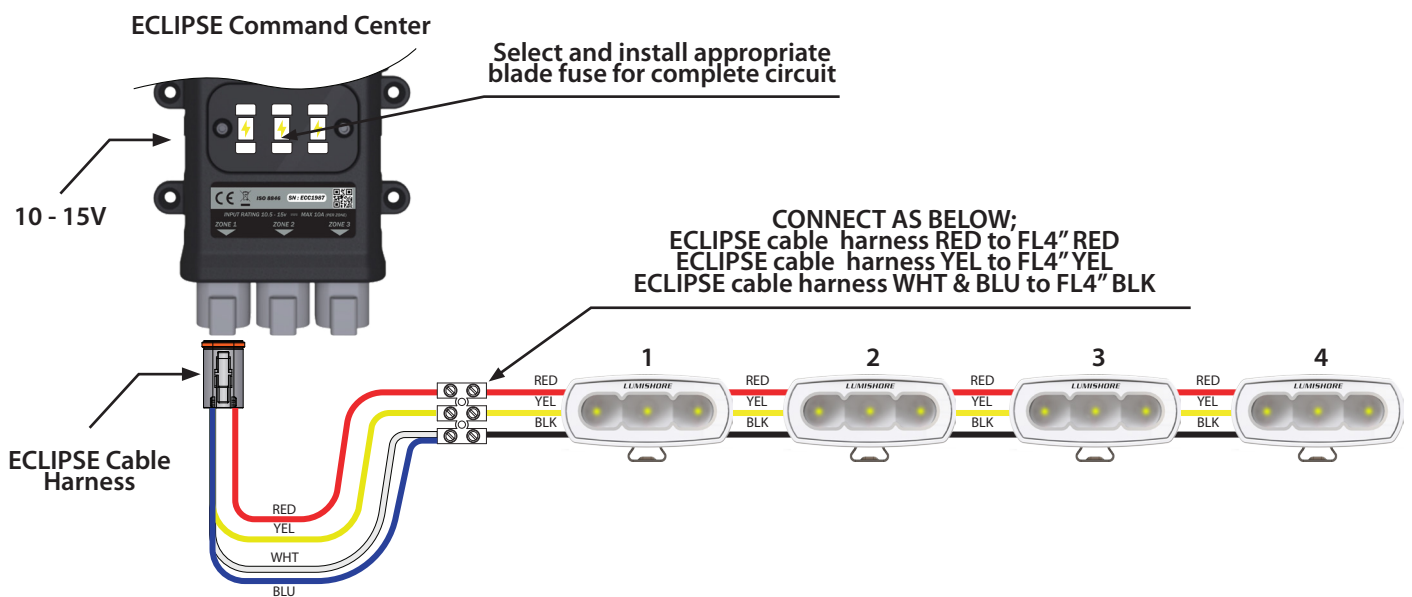


Light Operation (Latching switch):

1. Turn switch ON to power light at full power.
2. Toggle switch once to begin dimming cycle.
3. Toggle switch again to pause dimming cycle.
4. Turns switch OFF for 5 seconds to restart at full power

Up to 4 lights - ECLIPSE Command Center

Important! The ECLIPSE Command Center installation is suitable for 12V boats ONLY.

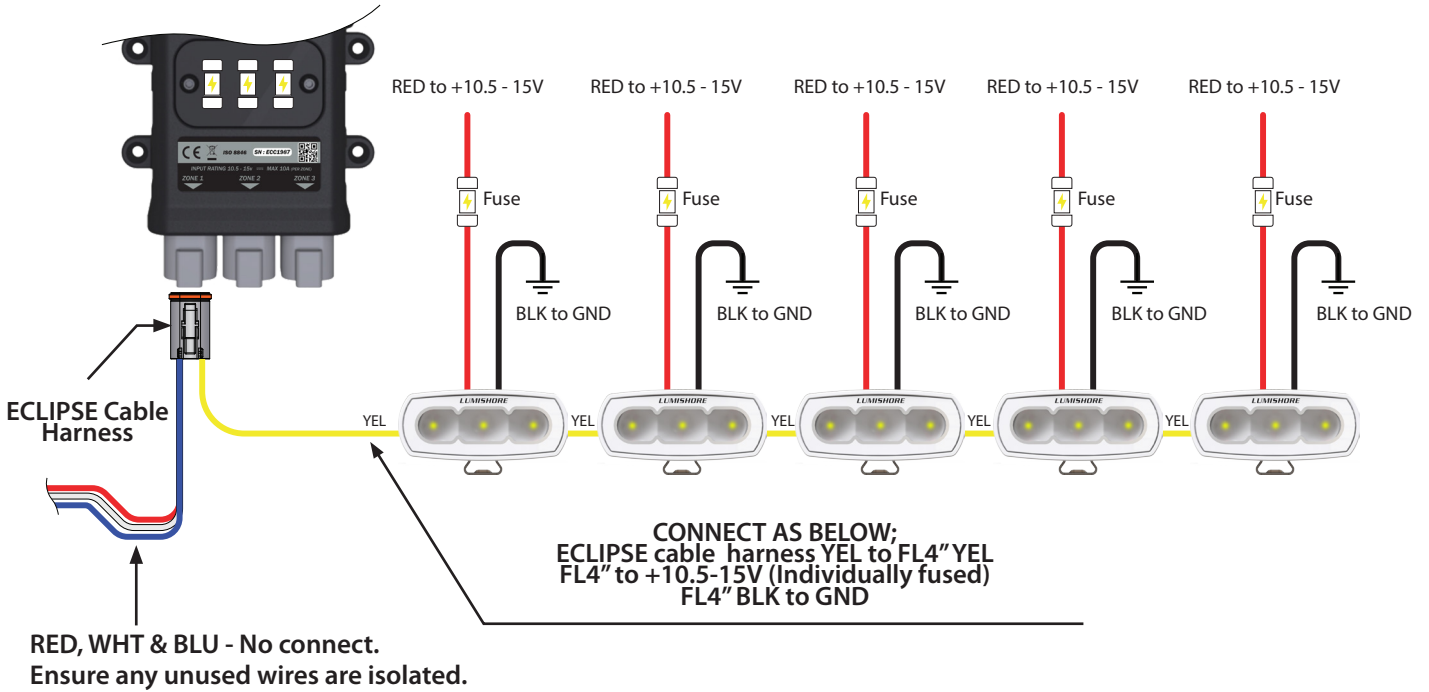


Installation instructions and user guide for the ECLIPSE Command Center can be found at www.lumishore.com/resources. Simply search the product name and select the appropriate instructions.

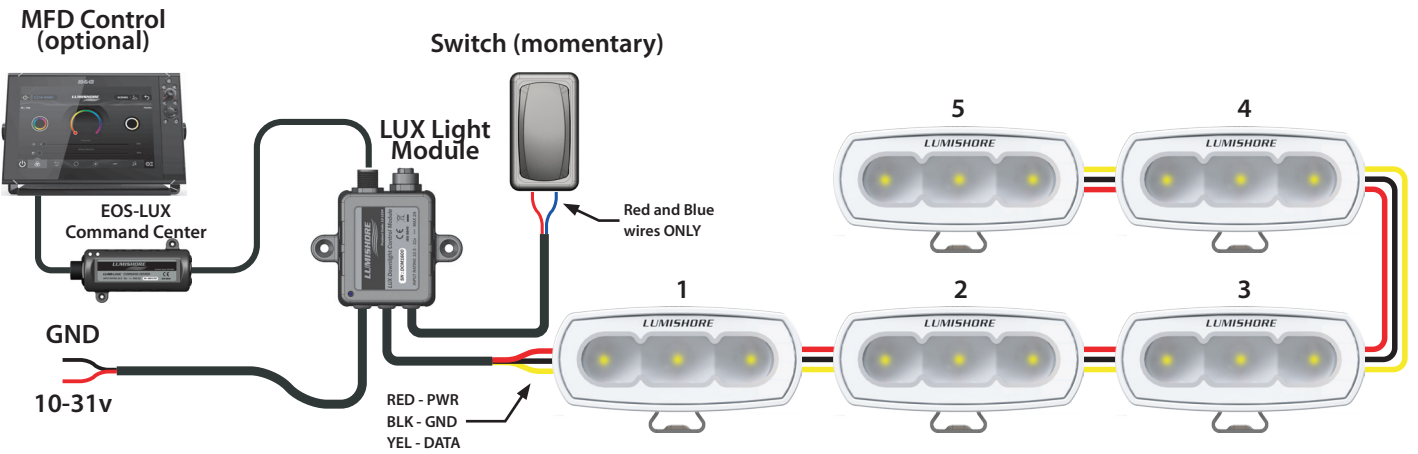
More than 4 lights per Command Center

Important! The ECLIPSE Command Center installation is suitable for 12V boats ONLY.

ECLIPSE Command Center



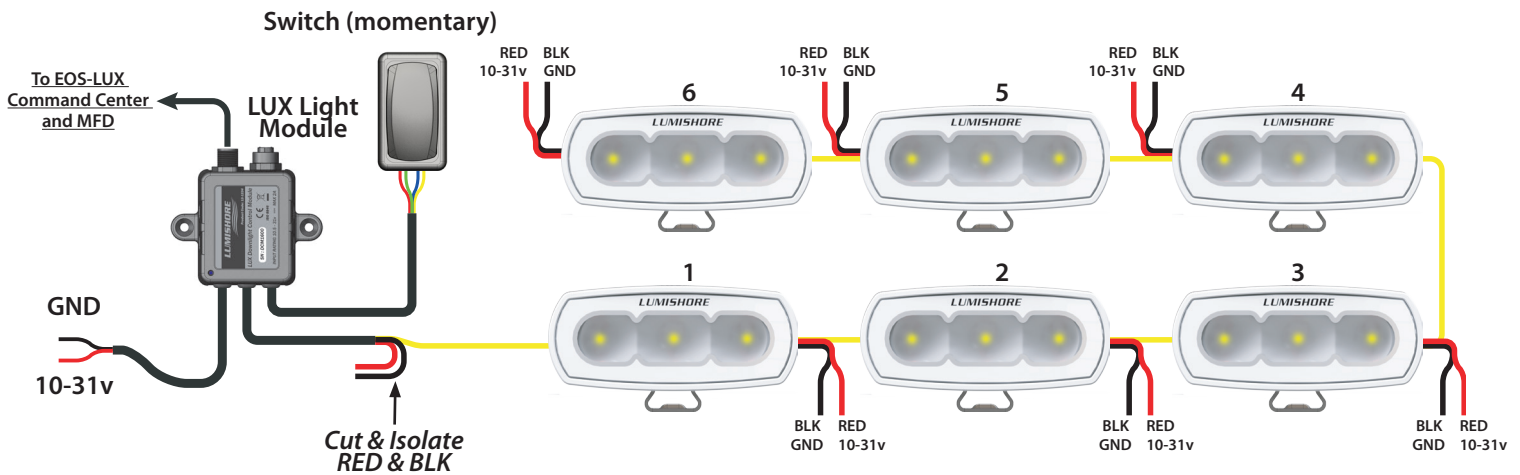
Up to 5 lights - MFD Control via LUX Light Control Module



Light Operation (Momentary switch):

1. Press switch once to turn ON.
2. Press and hold to dim lights.
3. Press switch once to turn OFF.

More than 5 lights (max 16) - MFD Control via LUX Light Control Module



Note : Black wire from each light and LUX Module should connect to common ground

Light Operation (Momentary switch):

1. Press switch once to turn ON.
2. Press and hold to dim lights.
3. Press switch once to turn OFF.

Cleaning and Maintenance:

Use only soap and water to clean the light using a soft cloth. DO NOT use any chemical cleaners and DO NOT power wash. Inspection of the light should be carried out regularly.

Warranty:

LUMISHORE Ltd warrants the **ECLIPSE Flood Light 4"** to be free from defects in workmanship and materials for a period of **two** years, starting from the date of original purchase. Misuse, abuse, improper installation, neglect, improper shipping, damage caused by disasters such as fire, flood, and lightning, installation by unqualified personnel, unauthorized repair or modification will void this warranty. For the avoidance of confusion and doubt, non-compliance with all installation, maintenance and operating instructions in this document constitute non-conformance with warranty terms.

