



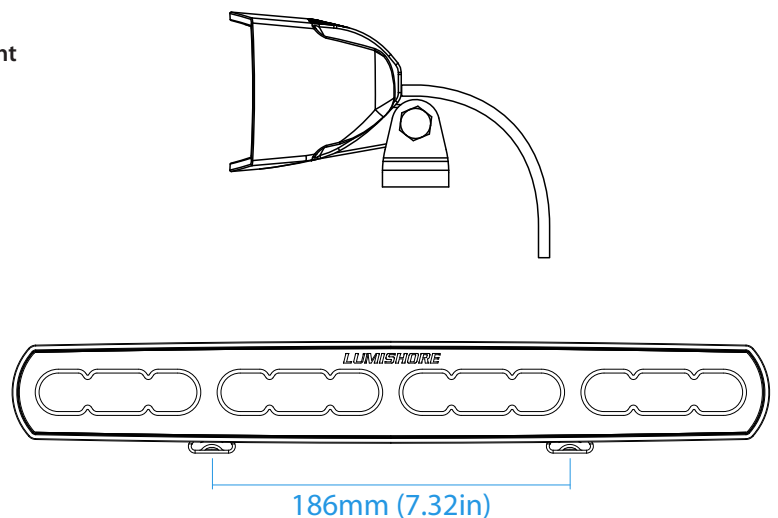
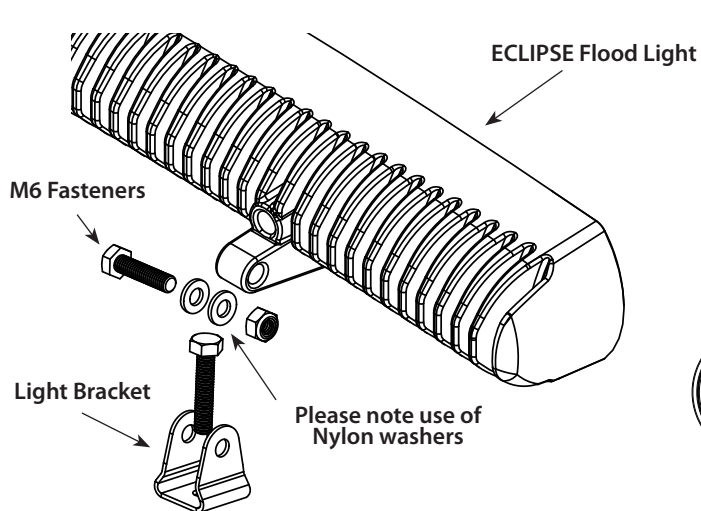
RG2

Please read the following pages before attempting installation to ensure complete understanding of Lumishore ECLIPSE Flood Light 18". This product should only be installed, inspected, and maintained by a qualified electrician only, in accordance with all applicable electrical codes. Be certain electrical power is OFF before and during installation and maintenance.

Colour Output	Voltage	Amps (max)
Single Colour 18"	10-31VDC	9.2A

Installation Instructions:

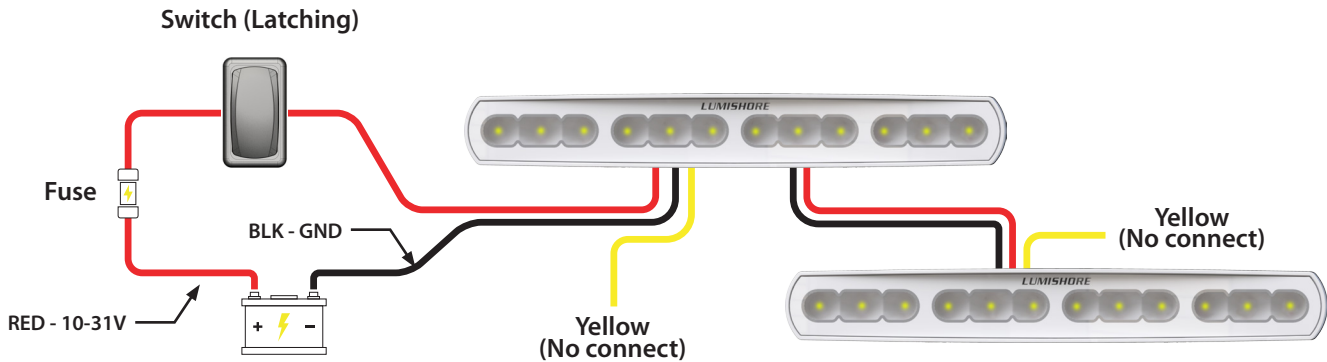
1. Select mounting location. Mounting location should be flat and durable.
2. Using a suitable bit, drill the bracket holes. Bracket has a 6.5mm hole suitable for an M6 bolt (supplied), a louvre feature has been added to lock onto the bolt head and to avoid spinning when tightening.
3. Drill a 7mm (0.275in) hole for the cable. The cable should always be in a 'fixed' position, no movement or rotation. The cable entry should be made watertight, the use of a cable gland is recommended.
4. Fix brackets in place using supplied M6 bolts and nylon insert nuts. Apply the appropriate torque based on fixings used and mounting surface.
5. Mount the ECLIPSE Flood Light to brackets using the supplied M6 bolt, washers and nylon insert nut. Ensure nylon washers are placed on the inside of the stainless steel bracket. Tighten to a torque of 5Nm, DO NOT over tighten.



Wiring Diagrams:

Wiring should be carried out as per ABYC guidelines. The Lumishore ECLIPSE Flood Light 18" will operate with a simple On/Off switch, controlled through an MFD via ECLIPSE Command Center, and it can also be controlled by MFD via LUX Light Control Module and EOS-LUX Command Center. For further electrical installation instructions and wiring diagrams please follow the link www.lumishore.com/resources and search the product name.

Single switch wiring - No MFD control via LUX Light Control Module

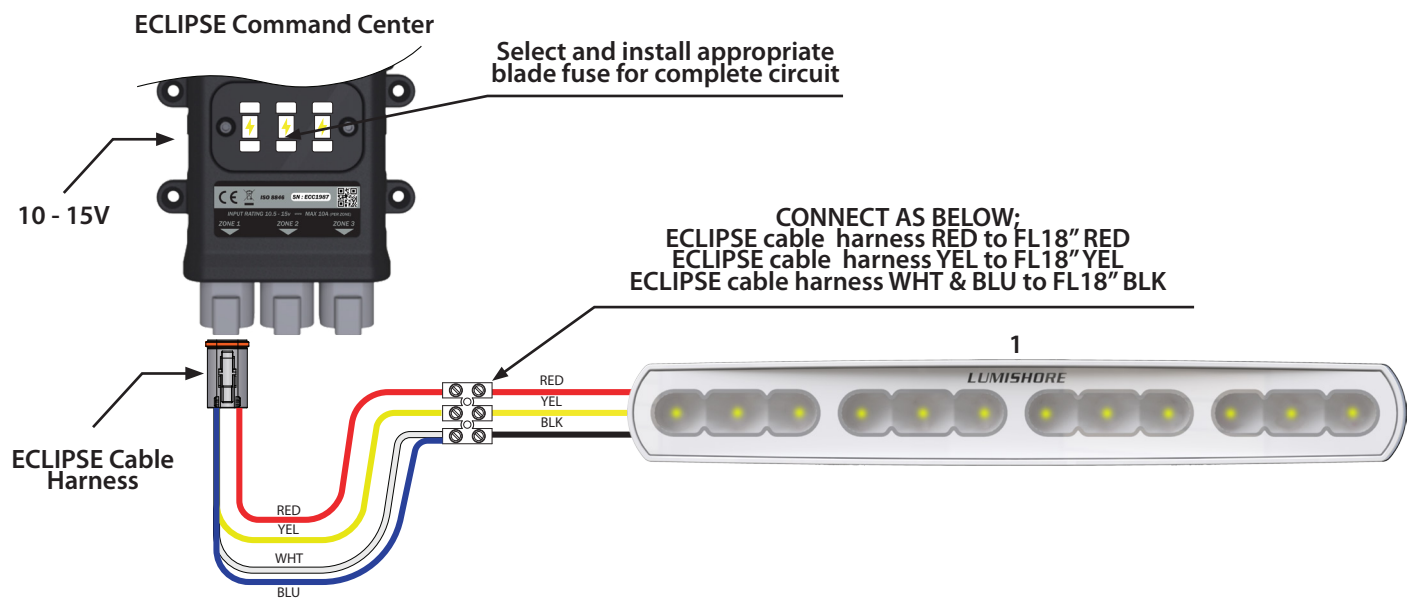


Light Operation (Latching switch):

1. Turn switch ON to power light at full power.
2. Toggle switch once to begin dimming cycle.
3. Toggle switch again to pause dimming cycle.
4. Turns switch OFF for 5 seconds to restart at full power

Up to 1 light - - ECLIPSE Command Center

Important! The ECLIPSE Command Center installation is suitable for 12V boats ONLY.



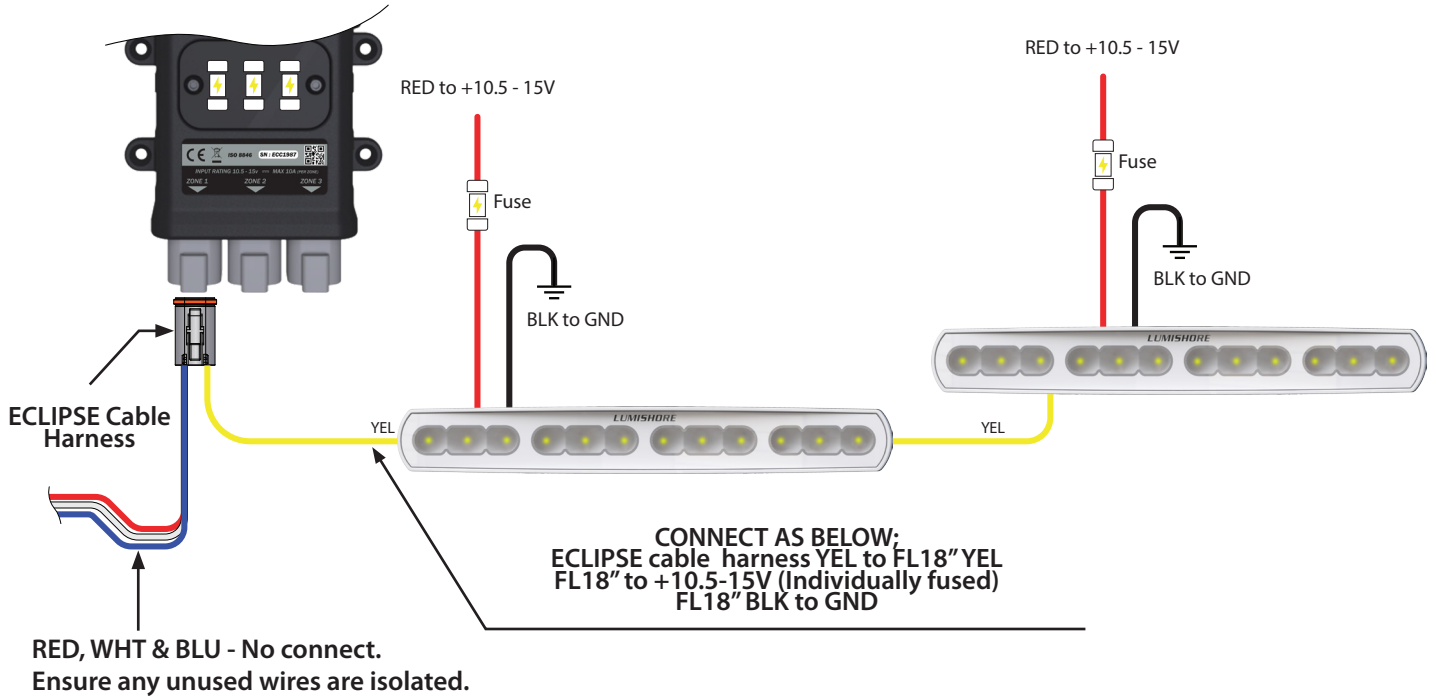
Installation instructions and user guide for the ECLIPSE Command Center can be found at www.lumishore.com/resources. Simply search the product name and select the appropriate instructions.

More than 1 light per Command Center



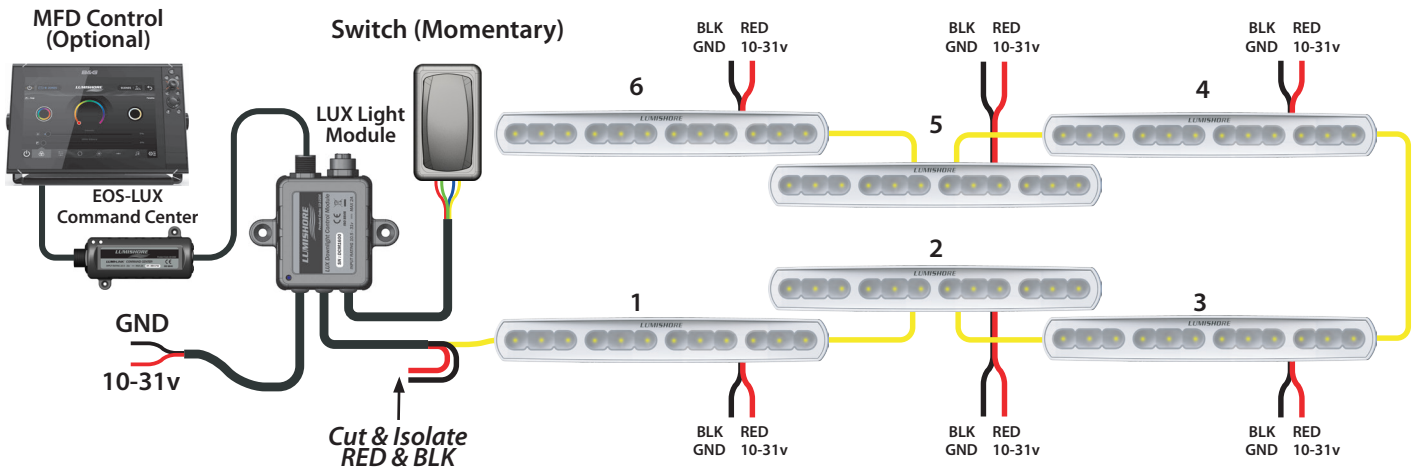
Important! The ECLIPSE Command Center installation is suitable for 12V boats ONLY.

ECLIPSE Command Center



MFD Control via LUX Light Control Module

Max 16 lights per LUX Light Module



Note: Black wire from each light and LUX Module should connect to common ground

Light Operation (Momentary switch):

1. Press switch once to turn ON.
2. Press and hold to dim lights.
3. Press switch once to turn OFF.

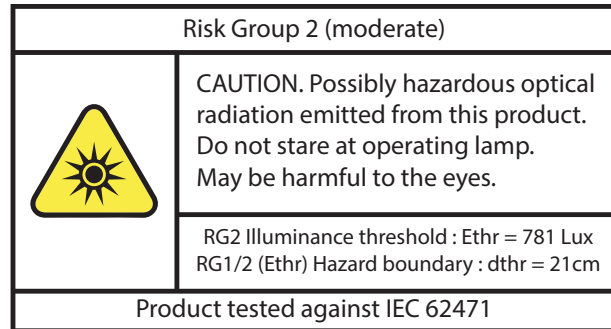
Cleaning and Maintenance:

Use only soap and water to clean the light using a soft cloth. DO NOT use any chemical cleaners and DO NOT power wash. Inspection of the light should be carried out regularly.

Safety Information:

This luminaire has been photobiologically tested and given Risk Group 2 rating.

“The luminaire should be positioned so that prolonged staring into the luminaire at a distance closer than X_m is not expected”



Warranty:

LUMISHORE Ltd warrants the **ECLIPSE Flood Light 18"** to be free from defects in workmanship and materials for a period of **two** years, starting from the date of original purchase. Misuse, abuse, improper installation, neglect, improper shipping, damage caused by disasters such as fire, flood, and lightning, installation by unqualified personnel, unauthorized repair or modification will void this warranty. For the avoidance of confusion and doubt, non-compliance with all installation, maintenance and operating instructions in this document constitute non-conformance with warranty terms.

LUMISHORE

